

65990

ROD ENDS

Material

Body: surface zinc plated
 Race: steel/ bronze - PTFE composite.
 Inner ring: bearing steel, hardened ground and spherical surface chromium plates.
 Outer ring: brass body pressed around,

outer race lined with bronze - PTFE composite.

Technical Notes

Maintenance free. Sizes according to DIN ISO 12240-4 series K.

Tips

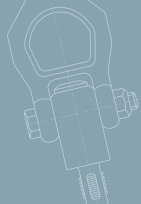
Standard thread is right hand thread.
 Rod end studs are all right hand threads.

Important Notes

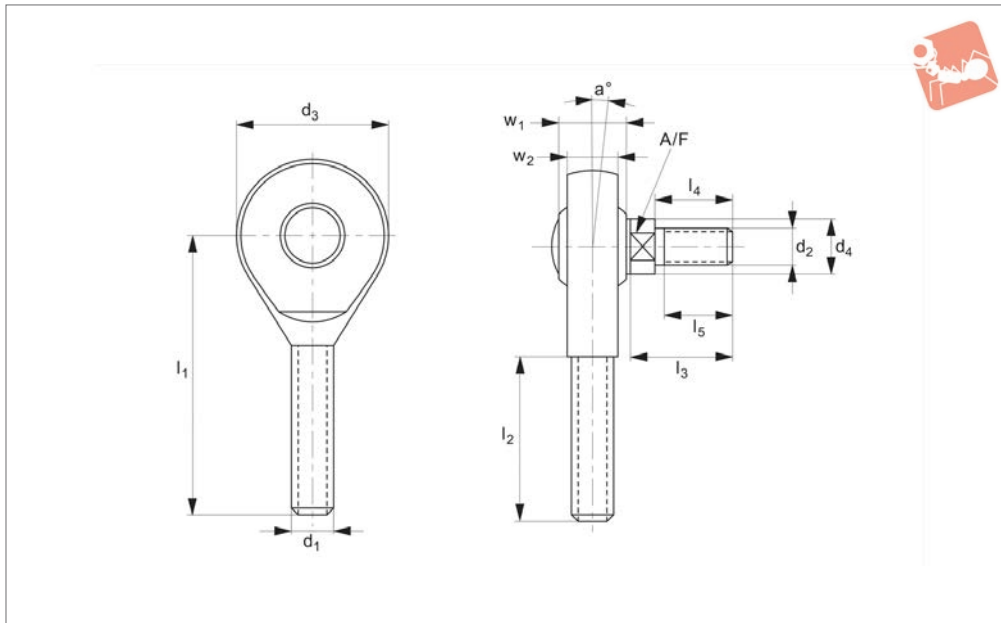
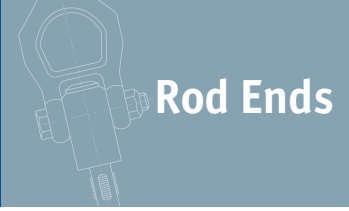
*Denotes fine pitch threads.

Order No.	Thread hand	d ₁	d ₂	l ₁	w ₁	d ₃	d ₄	d ₅	d ₆	l ₂	Weight g
65990.W0106	Right	M6	M6	30	9	20	10.0	13	9.0	12	22
65990.W0108	Right	M8	M8	36	12	24	12.5	16	10.5	16	47
65990.W0110	Right	M10	M10	43	14	28	15.0	19	13.0	20	77
65990.W0111	Right	M10 x 1,25*	M10	43	14	28	15.0	19	13.0	20	77
65990.W0112	Right	M12	M12	50	16	32	17.5	22	15.0	22	100
65990.W0113	Right	M12 x 1,25*	M12	50	16	32	17.5	22	15.0	22	100
65990.W0114	Right	M14	M14	57	19	36	20.0	25	17.0	25	160
65990.W0115	Right	M14 x 1,5*	M14	57	19	36	20.0	25	17.0	25	160
65990.W0116	Right	M16	M16	64	21	42	22.0	27	19.0	28	220
65990.W0117	Right	M16 x 1,5*	M16	64	21	42	22.0	27	19.0	28	220
65990.W0506	Left	M6	M6	30	9	20	10.0	13	9.0	12	22
65990.W0508	Left	M8	M8	36	12	24	12.5	16	10.5	16	47
65990.W0510	Left	M10	M10	43	14	28	15.0	19	13.0	20	77
65990.W0511	Left	M10 x 1,25*	M10	43	14	28	15.0	19	13.0	20	77
65990.W0512	Left	M12	M12	50	16	32	17.5	22	15.0	22	100
65990.W0513	Left	M12 x 1,25*	M12	50	16	32	17.5	22	15.0	22	100
65990.W0514	Left	M14	M14	57	19	36	20.0	25	17.0	25	160
65990.W0515	Left	M14 x 1,50*	M14	57	19	36	20.0	25	17.0	25	160
65990.W0516	Left	M16	M16	64	21	42	22.0	27	19.0	28	220
65990.W0517	Left	M16 x 1,50*	M16	64	21	42	22.0	27	19.0	28	220

Order No.	l ₃	l ₄	l ₅	w ₂	A/F ₁	A/F ₂	a°	Static load C ₀ kN max.
65990.W0106	18.5	13	10	6.75	11	8	13	7.7
65990.W0108	23.5	17	13	9.00	14	8	14	12.9
65990.W0110	28.0	21	17	10.50	17	12	13	18.0
65990.W0111	28.0	21	17	10.50	17	12	13	18.0
65990.W0112	32.5	25	20	12.00	19	14	13	24.0
65990.W0113	32.5	25	20	12.00	19	14	13	24.0
65990.W0114	37.5	29	22	13.50	22	14	16	31.0
65990.W0115	37.5	29	22	13.50	22	14	16	31.0



Order No.	l_3	l_4	l_5	w_2	A/F_1	A/F_2	α °	Static load C_0 kN max.
65990.W0116	42.5	33	24	15.00	22	17	15	39.0
65990.W0117	42.5	33	24	15.00	22	17	15	39.0
65990.W0506	18.5	13	10	6.75	11	8	13	7.7
65990.W0508	23.5	17	13	9.00	14	8	14	12.9
65990.W0510	28.0	21	17	10.50	17	12	13	18.0
65990.W0511	28.0	21	17	10.50	17	12	13	18.0
65990.W0512	32.5	25	20	12.00	19	14	13	24.0
65990.W0513	32.5	25	20	12.00	19	14	13	24.0
65990.W0514	37.5	29	22	13.50	22	14	16	31.0
65990.W0515	37.5	29	22	13.50	22	14	16	31.0
65990.W0516	42.5	33	24	15.00	22	17	15	39.0
65990.W0517	42.5	33	24	15.00	22	17	15	39.0



65992

ROD ENDS

Material

Body: surface zinc plated.
 Race: steel/ bronze - PTFE composite.
 Inner ring: bearing steel, hardened ground and spherical surface chromium plates.
 Outer ring: brass body pressed around,

outer race lined with bronze - PTFE composite.

Technical Notes

Maintenance free, sizes according to DIN ISO 12230-4 series K.

Tips

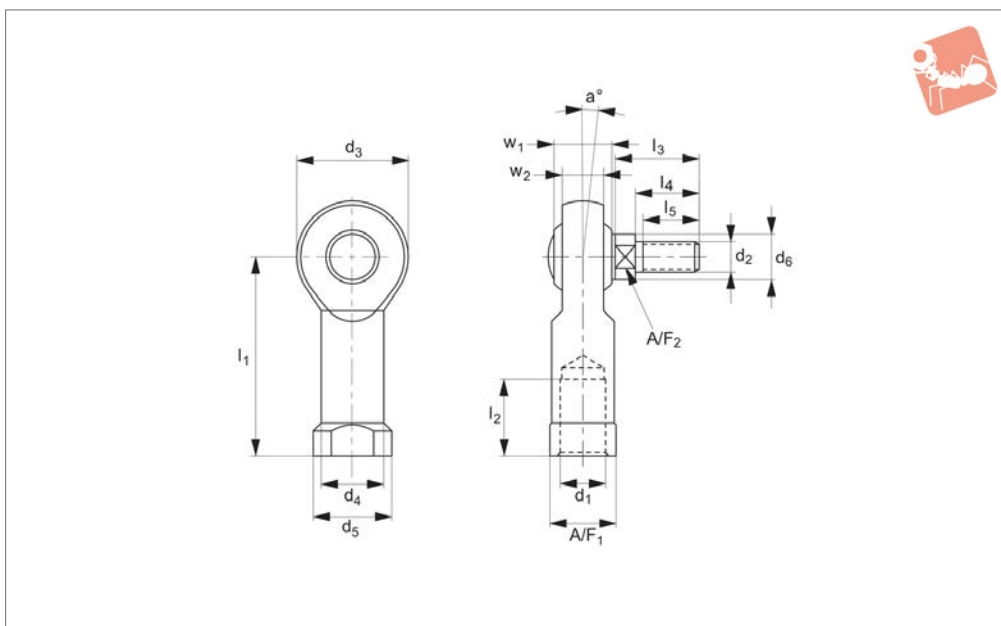
Standard thread is right hand thread.
 Rod end studs are all right hand threads.

Order No.	Thread hand	d ₁	d ₂	l ₁	w ₁	d ₃	d ₄	l ₂	l ₃	Weight g
65992.W0106	Right	M6	M6	36	9	20	9.0	21	18.5	20
65992.W0108	Right	M8	M8	42	12	24	10.5	25	23.5	38
65992.W0110	Right	M10	M10	48	14	28	13.0	28	28.5	55
65992.W0112	Right	M12	M12	54	16	32	15.0	32	32.5	85
65992.W0114	Right	M14	M14	60	19	36	17.0	36	37.5	140
65992.W0116	Right	M16	M16	66	21	42	19.0	37	42.5	210
65992.W0506	Left	M6	M6	36	9	20	9.0	21	18.5	20
65992.W0508	Left	M8	M8	42	12	24	10.5	25	23.5	38
65992.W0510	Left	M10	M10	48	14	28	13.0	28	28.5	55
65992.W0512	Left	M12	M12	54	16	32	15.0	32	32.5	85
65992.W0514	Left	M14	M14	60	19	36	17.0	36	37.5	140
65992.W0516	Left	M16	M16	66	21	42	19.0	37	42.5	210

Order No.	l ₄	l ₅	w ₂	A/F	a °	Static load C ₀ kN max.
65992.W0106	13	10	6.75	8	13	7.7
65992.W0108	17	13	9.00	8	14	12.9
65992.W0110	21	17	10.50	12	13	18.0
65992.W0112	25	20	12.00	14	13	24.0
65992.W0114	29	22	13.50	14	16	31.0
65992.W0116	33	24	15.00	17	15	39.0
65992.W0506	13	10	6.75	8	13	7.7
65992.W0508	17	13	9.00	8	14	12.9
65992.W0510	21	17	10.50	12	13	18.0
65992.W0512	25	20	12.00	14	13	24.0
65992.W0514	29	22	13.50	14	16	31.0
65992.W0516	33	24	15.00	17	15	39.0



65994



Material

Body: stainless steel (AISI 304)
 Race: steel/ bronze - PTFE composite.
 Inner ring: stainless steel, hardened and ground (AISI 304).
 Outer ring: brass body pressed around, outer race lined with bronze - PTFE compo-

site.
 Joint ball: stainless steel (AISI 440C)

Technical Notes

Maintenance free. Sizes according to DIN ISO 12740-4, series K

Tips

Standard thread is right hand thread.
 Rod end studs are all right hand threads.

Important Notes

*denotes fine pitch threads.

Order No.	Thread hand	d ₁	d ₂	l ₁	w ₁	d ₃	d ₄	d ₅	d ₆	l ₂	Weight g
65994.W0106	Right	M6	M6	30	9	20	10.0	13	9.0	12	22
65994.W0108	Right	M8	M8	36	12	24	12.5	16	10.5	16	47
65994.W0110	Right	M10	M10	43	14	28	15.0	19	13.0	20	77
65994.W0111	Right	M10 x 1,25*	M10	43	14	28	15.0	19	13.0	20	100
65994.W0112	Right	M12	M12	50	16	32	17.5	22	15.0	22	100
65994.W0113	Right	M12 x 1,25*	M12	50	16	32	17.5	22	15.0	22	100
65994.W0114	Right	M14	M14	57	19	36	20.0	25	17.0	25	160
65994.W0115	Right	M14 x 1,5*	M14	57	19	36	20.0	25	17.0	25	160
65994.W0116	Right	M16	M16	64	21	42	22.0	27	19.0	28	220
65994.W0117	Right	M16 x 1,5*	M16	64	21	42	22.0	27	19.0	28	220
65994.W0506	Left	M6	M6	30	9	20	10.0	13	9.0	12	22
65994.W0508	Left	M8	M8	36	12	24	12.5	16	10.5	16	47
65994.W0510	Left	M10	M10	43	14	28	15.0	19	13.0	20	77
65994.W0511	Left	M10 x 1,25*	M10	43	14	28	15.0	19	13.0	20	100
65994.W0512	Left	M12	M12	50	16	32	17.5	22	15.0	22	100
65994.W0513	Left	M12 x 1,25*	M12	50	16	32	17.5	22	15.0	22	100
65994.W0514	Left	M14	M14	57	19	36	20.0	25	17.0	25	160
65994.W0515	Left	M14 x 1,50*	M14	57	19	36	20.0	25	17.0	25	160
65994.W0516	Left	M16	M16	64	21	42	22.0	27	19.0	28	220
65994.W0517	Left	M16 x 1,50*	M16	64	21	42	22.0	27	19.0	28	220

Order No.	l ₃	l ₄	l ₅	w ₂	A/F ₁	A/F ₂	a°	Static load C ₀ kN max.
65994.W0106	18.5	13	10	6.75	11	8	13	7.7
65994.W0108	23.5	17	13	9.00	14	8	14	12.9
65994.W0110	28.0	21	17	10.50	17	12	13	18.0
65994.W0111	28.0	21	17	10.50	17	12	13	18.0
65994.W0112	32.5	25	20	12.00	19	14	13	24.0
65994.W0113	32.5	25	20	12.00	19	14	13	24.0



Stainless Rod End with Stud Female



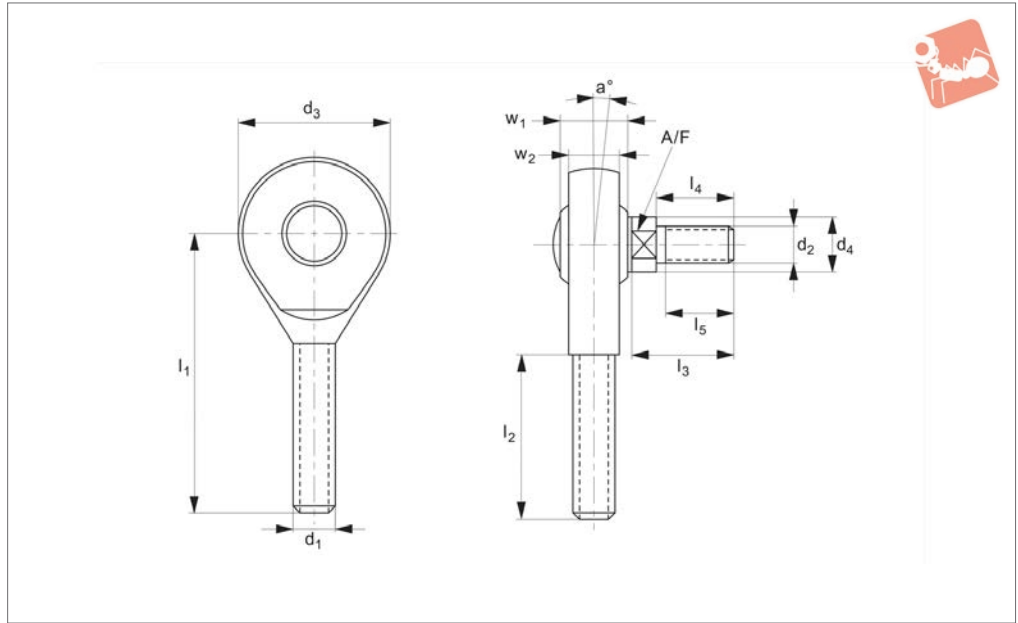
Rod Ends

Order No.	l_3	l_4	l_5	w_2	A/F_1	A/F_2	α	Static load C_0 kN max.
65994.W0114	37.5	29	22	13.50	22	14	16	31.0
65994.W0115	37.5	29	22	13.50	22	14	16	31.0
65994.W0116	42.5	33	24	15.00	22	17	15	39.0
65994.W0117	42.5	33	24	15.00	22	17	15	39.0
65994.W0506	18.5	13	10	6.75	11	8	13	7.7
65994.W0508	23.5	17	13	9.00	14	8	14	12.9
65994.W0510	28.0	21	17	10.50	17	12	13	18.0
65994.W0511	28.0	21	17	10.50	17	12	13	18.0
65994.W0512	32.5	25	20	12.00	19	14	13	24.0
65994.W0513	32.5	25	20	12.00	19	14	13	24.0
65994.W0514	37.5	29	22	13.50	22	14	16	31.0
65994.W0515	37.5	29	22	13.50	22	14	16	31.0
65994.W0516	42.5	33	24	15.00	22	17	15	39.0
65994.W0517	42.5	33	24	15.00	22	17	15	39.0

ROD ENDS



65996



ROD ENDS

Material

Body: stainless steel (AISI 304)
 Race: steel/ bronze - PTFE composite.
 Inner ring: stainless steel, hardened and ground (AISI 304)
 Outer ring: brass body pressed around,

outer race lined with bronze - PTFE composite.

Joint ball: stainless steel (AISI 440C)

Technical Notes

Maintenance free, sizes according to DIN

ISO 12240-4 series K.

Tips

Standard thread is right hand thread.
 Rod end studs are all right hand threads.

Order No.	Thread hand	d ₁	d ₂	l ₁	w ₁	d ₃	d ₄	Weight g
65996.W0106	Right	M6	M6	36	9	20	9.0	20
65996.W0108	Right	M8	M8	42	12	24	10.5	38
65996.W0110	Right	M10	M10	48	14	28	13.0	55
65996.W0112	Right	M12	M12	54	16	32	15.0	85
65996.W0116	Right	M16	M16	66	21	42	19.0	210
65996.W0506	Left	M6	M6	36	9	20	9.0	20
65996.W0508	Left	M8	M8	42	12	24	10.5	38
65996.W0510	Left	M10	M10	48	14	28	13.0	55
65996.W0512	Left	M12	M12	54	16	32	15.0	85
65996.W0516	Left	M16	M16	66	21	42	19.0	210

Order No.	l ₂	l ₃	l ₄	l ₅	w ₂	A/F	a°	Static load C ₀ kN max.
65996.W0106	21	18.5	13	10	6.75	8	13	7.7
65996.W0108	25	23.5	17	13	9.00	8	14	12.9
65996.W0110	28	28.5	21	17	10.50	12	13	18.0
65996.W0112	32	32.5	25	20	12.00	14	13	24.0
65996.W0116	37	42.5	33	24	15.00	17	15	39.0
65996.W0506	21	18.5	13	10	6.75	8	13	7.7
65996.W0508	25	23.5	17	13	9.00	8	14	12.9
65996.W0510	28	28.5	21	17	10.50	12	13	18.0
65996.W0512	32	32.5	25	20	12.00	14	13	24.0
65996.W0516	37	42.5	33	24	15.00	17	15	39.0