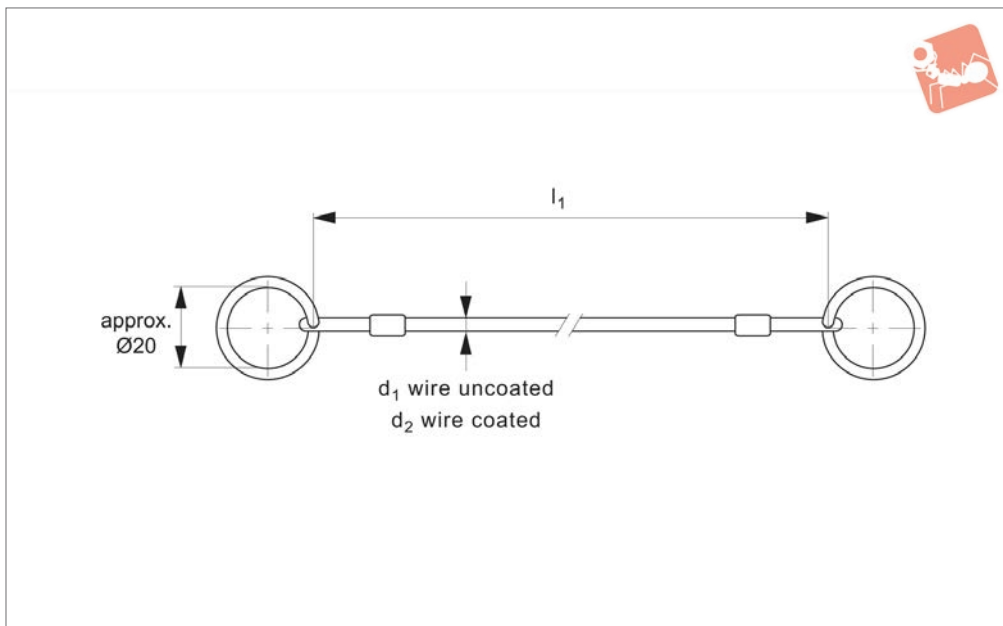




# Lanyard - Loop to Loop with split rings - crimps stainless

## Ball Lock Pins & Quick Release



**33250**

BALL LOCK PINS & QUICK RELEASE PINS

### Material

Wire rope: stainless steel  
Coating (if present): PA6 see table.  
Crimps /sleeves: stainless steel  
Split rings: stainless steel

### Technical Notes

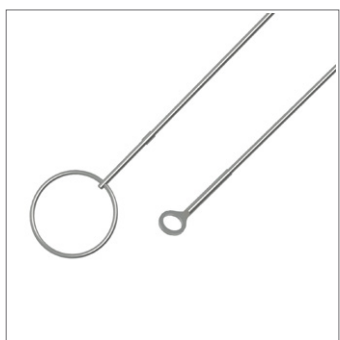
Crimps tested to failure at 28 Kgf. Tempe-

perature range: up to 250°C (uncoated)

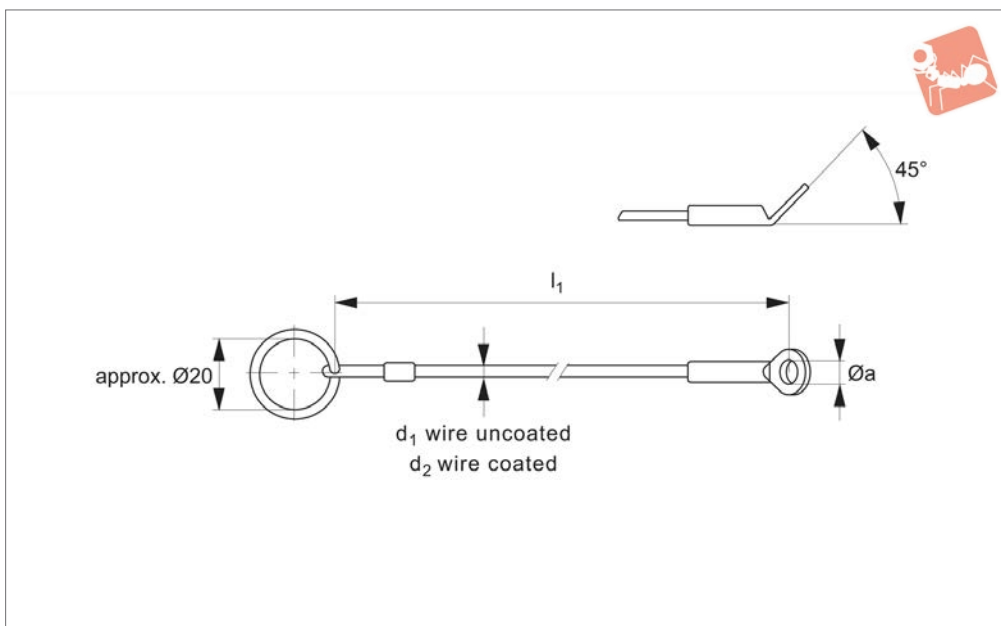
### Tips

For use in securing components to assemblies, or to avoid items being misplaced. For our wide range of quick release pins nos. 33060 through 33226.

Order No.	Coating	d <sub>1</sub> wire uncoated	l <sub>1</sub>	d <sub>2</sub> wire coated	Weight g
33250.W0940	Black	1.5	150	2.2	6.5
33250.W0941	Black	1.5	200	2.2	6.4
33250.W0943	Black	1.5	300	2.2	7.5
33250.W0950	Clear	1.5	150	2.2	6.5
33250.W0952	Clear	1.5	200	2.2	6.4
33250.W0956	Clear	1.5	300	2.2	7.5
33250.W0930	Uncoated	1.5	150	-	6.5
33250.W0931	Uncoated	1.5	200	-	6.4
33250.W0933	Uncoated	1.5	300	-	7.5



## 33251



### Material

Wire rope: stainless steel.  
 Coating (if present): PA6, see table.  
 Crimps /sleeves: stainless steel.  
 Eyelet and split ring: stainless steel.

temperature range: up to 250°C (uncoated).

### Tips

For use in securing components to assemblies, or to avoid items being misplaced. For our wide range of quick release pins nos. 33060 through 33226.

### Technical Notes

Crimps tested for failure at 28 Kgf. Tempe-

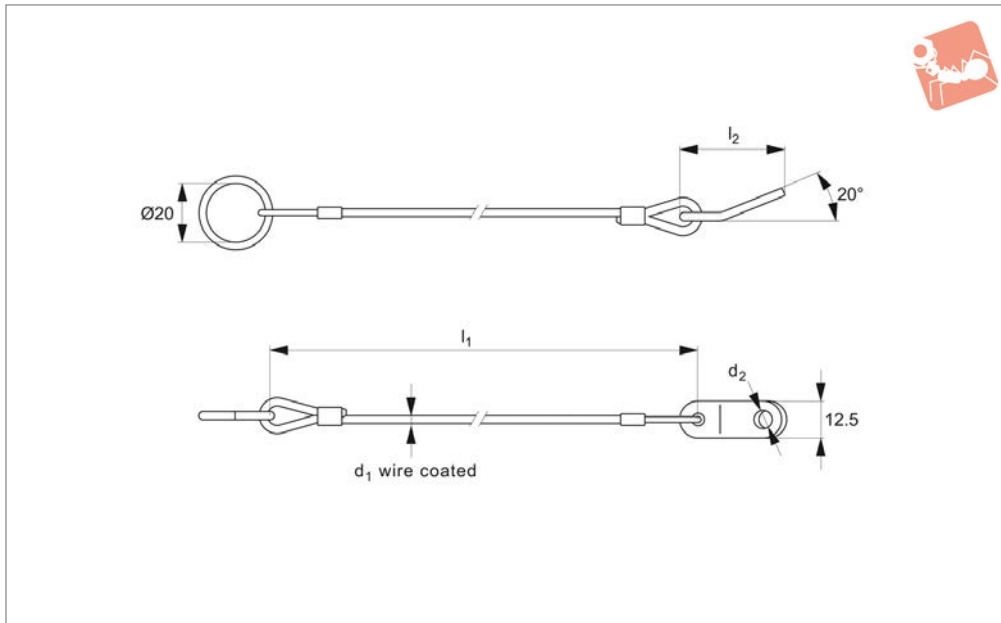
Order No.	Coating	d <sub>1</sub> wire uncoated	l <sub>1</sub>	Ø a	d <sub>2</sub> wire uncoated	Weight g
33251.W0945	Black	1.5	150	4.8	2.0	6.9
33251.W0946	Black	1.5	200	4.8	2.0	7.6
33251.W0948	Black	1.5	300	4.8	2.0	8.6
33251.W0960	Clear	1.5	150	4.8	2.0	6.9
33251.W0962	Clear	1.5	200	4.8	2.0	7.6
33251.W0966	Clear	1.5	300	4.8	2.0	8.6
33251.W0935	Uncoated	1.5	150	4.8	2.0	6.9
33251.W0936	Uncoated	1.5	200	4.8	2.0	7.6
33251.W0938	Uncoated	1.5	300	4.8	2.0	8.6



# Lanyard - Split Ring to Rectangle Tab

crimps brass, tab stainless steel

## Ball Lock Pins & Quick Release



**33252**

BALL LOCK PINS & QUICK RELEASE PINS

### Material

Wire rope: stainless steel.  
 Coating: thermoplastic, PVC, green transparent  
 Crimps: brass, zinc plated.  
 Tabs: stainless steel  
 Split ring: stainless steel.

### Technical Notes

Temperature range up to 80°C.

### Tips

For use in securing components to assemblies, or to avoid items being misplaced. For our wide range of quick release pins

nos.33060 through 33226.

### Important Notes

Conform to military spec MIL-DTL-83420 specification

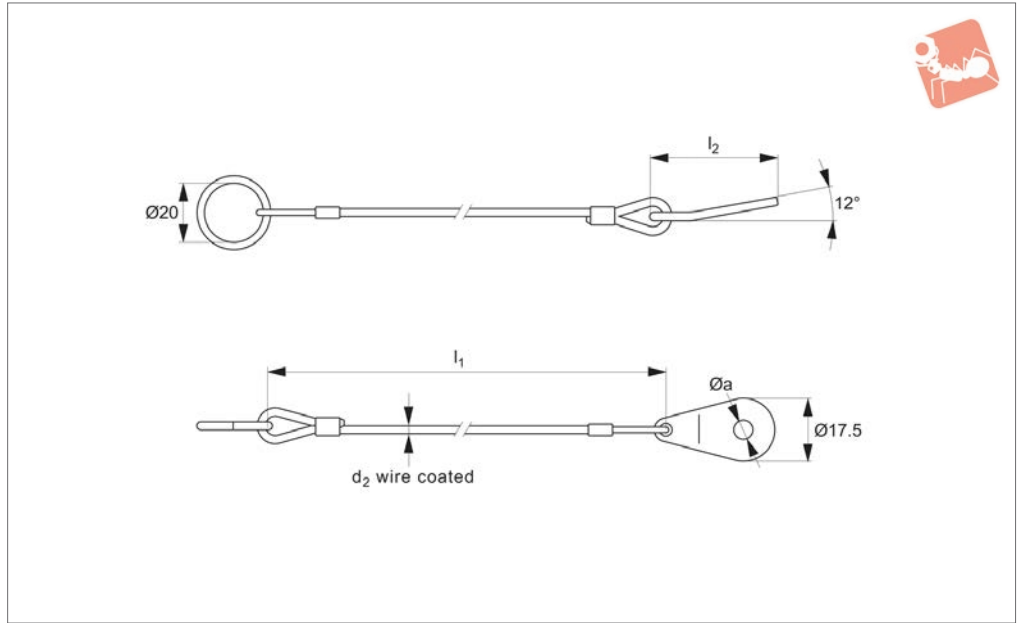
Order No.	Coating	d <sub>1</sub> wire coated	l <sub>1</sub>	d <sub>2</sub>	l <sub>2</sub>	Weight g
33252.W1301	Green	2.4	150	294.9	29	13
33252.W1302	Green	2.4	200	4.9	29	14
33252.W1303	Green	2.4	300	4.9	29	16



BALL LOCK PINS & QUICK RELEASE PINS



## 33253



### Material

Wire rope: stainless steel.  
 Coating: thermoplastic, PVC, green transparent  
 Crimps: brass, zinc plated.  
 Tabs: stainless steel  
 Split ring: stainless steel.

### Technical Notes

Temperature range up to 80°C.

### Tips

For use in securing components to assemblies, or to avoid items being misplaced. For our wide range of quick release pins

nos.33060 through 33226.

### Important Notes

Conform to military spec MIL-DTL-83420 specification

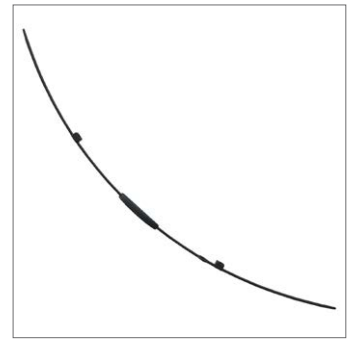
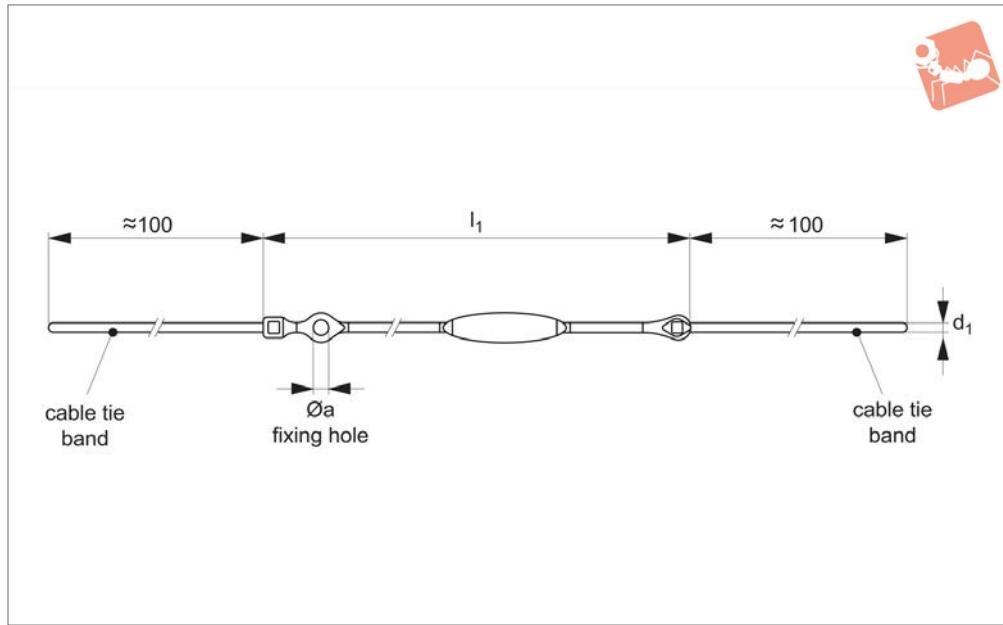
Order No.	Coating	$l_1$	$\varnothing a$	$d_2$ wire coated	$l_2$	Weight g
33253.W1311	Green	150	4.9	2.4	33	13.0
33253.W1312	Green	200	4.9	2.4	33	14.0
33253.W1313	Green	300	4.9	2.4	33	16.0



# Lanyard - Cable Tie Loop

thermoplastic

## Ball Lock Pins & Quick Release



**33260**

BALL LOCK PINS & QUICK RELEASE PINS

### Material

Thermoplastic PA6, grey.

### Technical Notes

Temperature range up to 80°C offers two

### fixing alternatives:

- Cable tie at both ends
- Cable tie one end and fixing hole at other to secure with M4 screw.

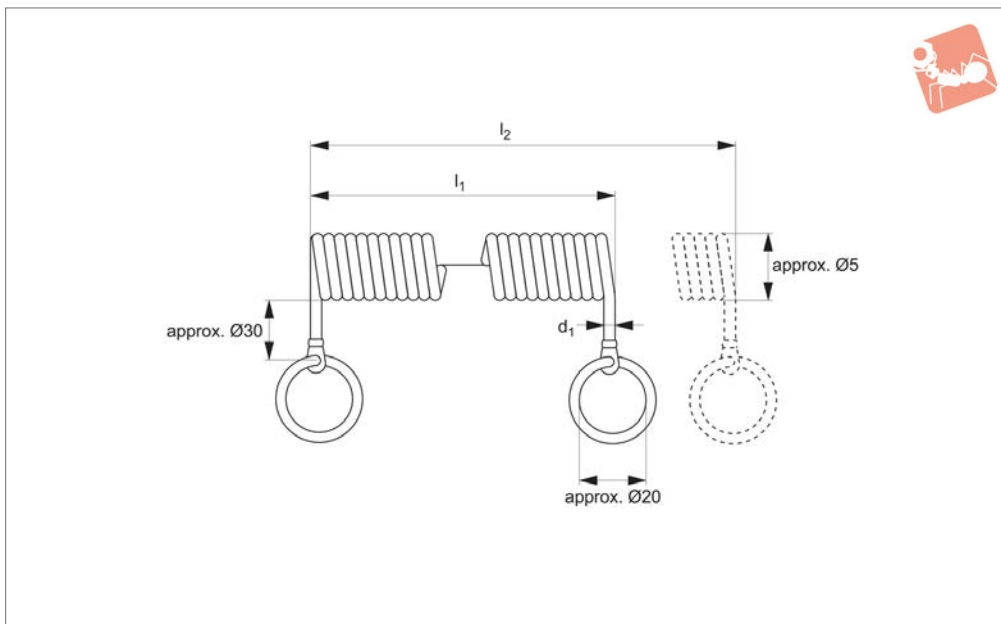
### Tips

For use in securing components to assemblies, or to avoid items being misplaced.

Order No.	Coating	d <sub>1</sub>	l <sub>1</sub>	Ø a	Weight g
<b>33260.W0970</b>	n/a	2.5	150	4.2	2.1
<b>33260.W0974</b>	n/a	2.5	250	4.2	2.7



**33261**



**Material**

Wire rope: steel.  
 Coating: PUR, thermoplastic.  
 Eyelet: brass, zinc plated.  
 Split ring: stainless steel.

**Technical Notes**

Temperature range up to 80°C. Coiled

sprung wire offers high extended length in a compact design.

**Tips**

For use in securing components to assemblies, or to avoid items being misplaced. For our wide range of quick release pins, part nos. 33060 to 33226.

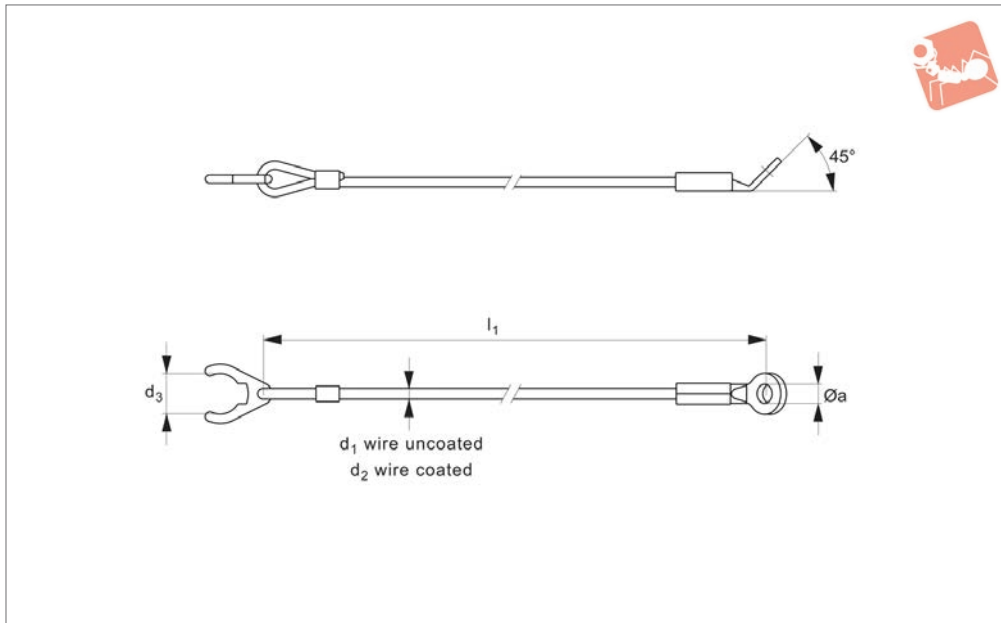
Order No.	PUR coating	d <sub>1</sub>	l <sub>1</sub> retracted	l <sub>2</sub> extended	Weight g
33261.W0980	Black	1.5	100	600	11.5
33261.W0982	Black	1.5	200	1200	17.4



# Lanyard - Circlip End to Eyelet

crimps brass, tabs stainless steel

# Ball Lock Pins & Quick Release



**33265**

BALL LOCK PINS & QUICK RELEASE PINS

### Material

Wire rope: stainless steel.  
 Coating (if present): PVC, see table.  
 Crimps/sleeves: brass.  
 Eyelet, circlip end and split ring: stainless

steel.

### Technical Notes

Designed specifically to hold ball lock pin 33194.

### Important Notes

Assemble by attaching holding clips to the ball lock pin with a soft-face mallet, disassemble via levering off with a screw driver.

Order No.	Coating	d <sub>1</sub> wire uncoated	l <sub>1</sub>	Ø a	d <sub>2</sub> wire coated	d <sub>5</sub> for use with part no. 33914 of pin dia d <sub>1</sub>	Weight g
33265.W1001	Clear	1.5	150	4.8	2.0	5/ 6	6.0
33265.W1021	Clear	1.5	200	4.8	2.0	5/ 6	7.0
33265.W1041	Clear	1.5	300	4.8	2.0	5/ 6	8.0
33265.W1061	Clear	1.5	150	2.0	4.8	8/10	7.0
33265.W1002	Clear	1.5	200	4.8	2.0	8/10	8.0
33265.W1022	Clear	1.5	200	4.8	2.0	8/10	9.0
33265.W1042	Clear	1.5	150	4.8	2.0	12/16	8.0
33265.W1062	Clear	1.5	200	4.8	2.0	12/16	9.0
33265.W1003	Clear	1.5	300	4.8	2.0	12/16	10.0
33265.W1023	Clear	1.5	150	4.8	2.0	20/25	12.0
33265.W1043	Clear	1.5	200	4.8	2.0	20/25	13.0
33265.W1063	Clear	1.5	300	4.8	2.0	20/25	14.0
33265.W1101	Black	1.5	150	4.8	2.0	5/ 6	6.0
33265.W1121	Black	1.5	200	4.8	2.0	5/ 6	7.0
33265.W1141	Black	1.5	300	4.8	2.0	5/ 6	8.0
33265.W1161	Black	1.5	150	4.8	2.0	8/10	7.0
33265.W1102	Black	1.5	200	4.8	2.0	8/10	8.0
33265.W1122	Black	1.5	300	4.8	2.0	8/10	9.0
33265.W1142	Black	1.5	150	4.8	2.0	12/16	8.0
33265.W1162	Black	1.5	200	4.8	2.0	12/16	9.0
33265.W1103	Black	1.5	300	4.8	2.0	12/16	10.0
33265.W1123	Black	1.5	150	4.8	2.0	20/25	12.0
33265.W1143	Black	1.5	200	4.8	2.0	20/25	13.0
33265.W1163	Black	1.5	300	4.8	2.0	20/25	14.0
33265.W1201	Uncoated	1.5	150	4.8	-	5/ 6	6.0
33265.W1221	Uncoated	1.5	200	4.8	-	5/ 6	7.0
33265.W1241	Uncoated	1.5	300	4.8	-	5/ 6	8.0
33265.W1261	Uncoated	1.5	150	4.8	-	8/10	7.0
33265.W1202	Uncoated	1.5	200	4.8	-	8/10	8.0
33265.W1222	Uncoated	1.5	300	4.8	-	8/10	9.0
33265.W1242	Uncoated	1.5	200	4.8	-	12/16	8.0
33265.W1262	Uncoated	1.5	200	4.8	-	12/16	9.0
33265.W1203	Uncoated	1.5	300	4.8	-	12/16	10.0

# Ball Lock Pins & Quick Release



## Lanyard - Circlip End to Eyelet

crimps brass, tabs stainless steel



Order No.	Coating	d <sub>1</sub> wire uncoated	l <sub>1</sub>	Ø a	d <sub>2</sub> wire coated	d <sub>5</sub> for use with part no. 33914 of pin dia d <sub>1</sub>	Weight g
<b>33265.W1223</b>	Uncoated	1.5	150	4.8	-	20/25	12.0
<b>33265.W1243</b>	Uncoated	1.5	200	4.8	-	20/25	13.0
<b>33265.W1263</b>	Uncoated	1.5	300	4.8	-	20/25	14.0

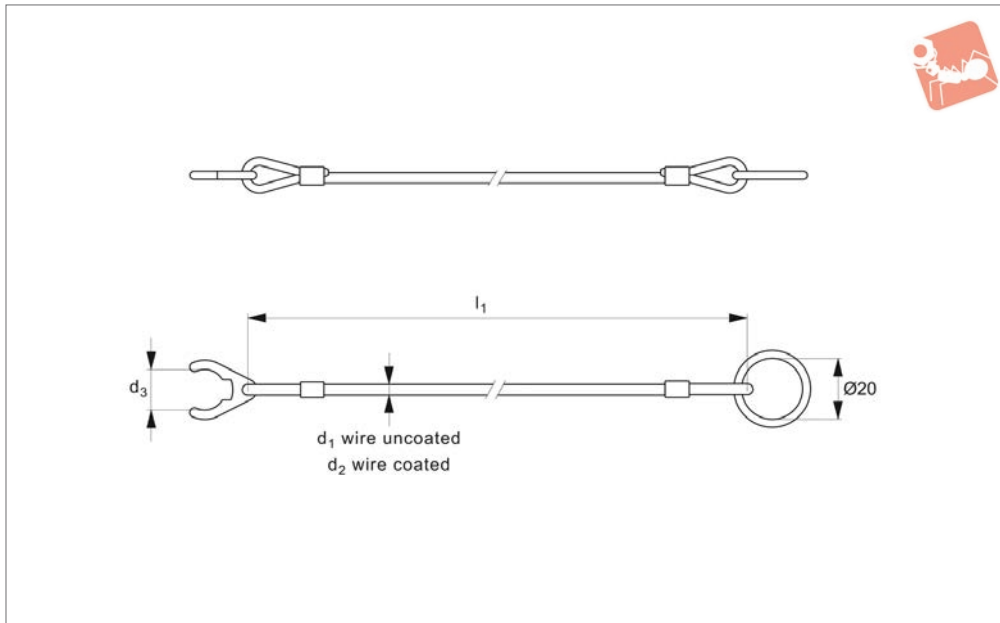
BALL LOCK PINS & QUICK RELEASE PINS





# Lanyard - Circlip End to Loop with crimps brass, tabs stainless steel, for ball lock pins

## Ball Lock Pins & Quick Release



**33266**

BALL LOCK PINS & QUICK RELEASE PINS

### Material

Wire rope: stainless steel.  
 Coating (if present): PA6, see table.  
 Crimps/sleeves: brass.  
 Circlip end and split ring: stainless steel.

### Technical Notes

Designed specifically to hold ball lock pin 33194.

### Important Notes

Assemble by attaching holding clips to the ball lock pin with a soft-face mallet, disassemble via levering off with a screw driver.

Order No.	Coating	$d_1$ wire uncoated	$l_1$	$d_2$ wire coated	$d_3$ for use with part no. 33914 of pin dia $d_1$	Weight g
33266.W1011	Clear	1.5	150	2.0	5/6	6.3
33266.W1031	Clear	1.5	150	2.0	8/10	7.2
33266.W1051	Clear	1.5	150	2.0	12/16	8.4
33266.W1071	Clear	1.5	150	2.0	20/25	11
33266.W1012	Clear	1.5	200	2.0	5/6	6.9
33266.W1032	Clear	1.5	200	2.0	8/10	7.8
33266.W1052	Clear	1.5	200	2.0	12/16	9.0
33266.W1072	Clear	1.5	200	2.0	20/25	12
33266.W1013	Clear	1.5	300	2.0	5/6	8.2
33266.W1033	Clear	1.5	300	2.0	8/10	9.0
33266.W1053	Clear	1.5	300	2.0	12/16	10
33266.W1073	Clear	1.5	300	2.0	20/25	13
33266.W1111	Black	1.5	150	2.0	5/6	6.3
33266.W1131	Black	1.5	150	2.0	8/10	7.3
33266.W1151	Black	1.5	150	2.0	12/16	8.4
33266.W1171	Black	1.5	150	2.0	20/25	11
33266.W1112	Black	1.5	200	2.0	5/6	7.0
33266.W1132	Black	1.5	200	2.0	8/10	7.8
33266.W1152	Black	1.5	200	2.0	12/16	9.0
33266.W1172	Black	1.5	200	2.0	20/25	12
33266.W1113	Black	1.5	300	2.0	5/6	8.2
33266.W1133	Black	1.5	300	2.0	8/10	9.0
33266.W1153	Black	1.5	300	2.0	12/16	10
33266.W1173	Black	1.5	300	2.0	20/25	13
33266.W1211	Uncoated	1.5	150	-	5/6	5.9
33266.W1231	Uncoated	1.5	150	-	8/10	6.8
33266.W1251	Uncoated	1.5	150	-	12/16	8.0
33266.W1271	Uncoated	1.5	150	-	20/25	11
33266.W1212	Uncoated	1.5	200	-	5/6	6.4
33266.W1232	Uncoated	1.5	200	-	8/10	7.3
33266.W1252	Uncoated	1.5	200	-	12/16	8.5
33266.W1272	Uncoated	1.5	200	-	20/25	12
33266.W1213	Uncoated	1.5	300	-	5/6	7.4

# Ball Lock Pins & Quick Release



## Lanyard - Circlip End to Loop with crimps brass, tabs stainless steel, for ball lock pins



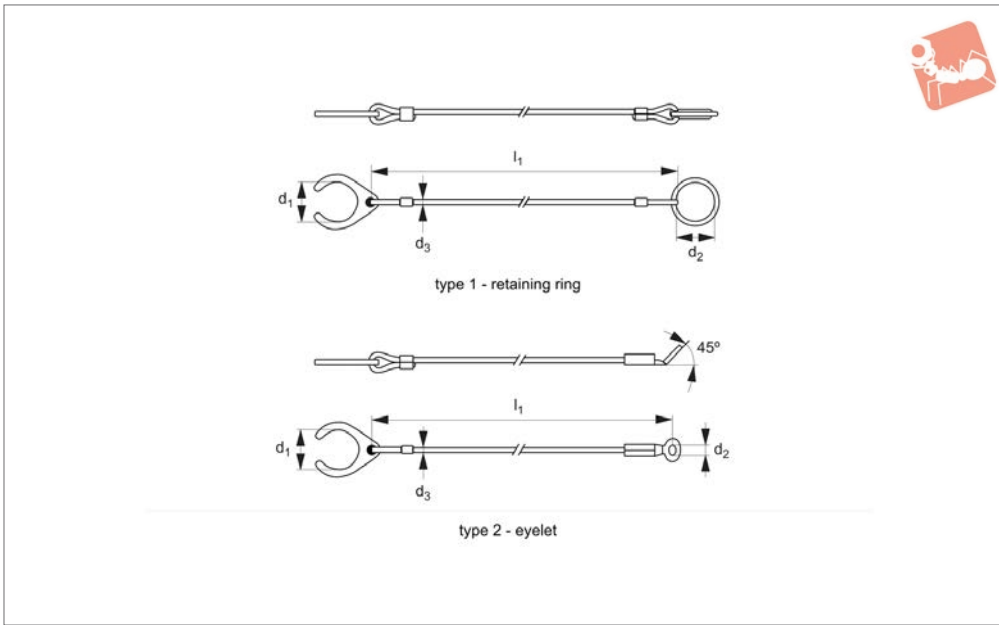
Order No.	Coating	d <sub>1</sub> wire uncoated	l <sub>1</sub>	d <sub>2</sub> wire coated	d <sub>3</sub> for use with part no. 33914 of pin dia d <sub>1</sub>	Weight g
<b>33266.W1233</b>	Uncoated	1.5	300	-	8/10	8.6
<b>33266.W1253</b>	Uncoated	1.5	300	-	12/16	9.5
<b>33266.W1273</b>	Uncoated	1.5	300	-	20/25	13

BALL LOCK PINS & QUICK RELEASE PINS



# Retaining Cable with holding clip for no. 33331

## Ball Lock Pins & Quick Release



**33268**

BALL LOCK PINS & QUICK RELEASE PINS

### Material

Split ring or eyelet: stainless steel.  
Holding circlip: thermoplastic PA 6, black.  
Wire rope: stainless steel.

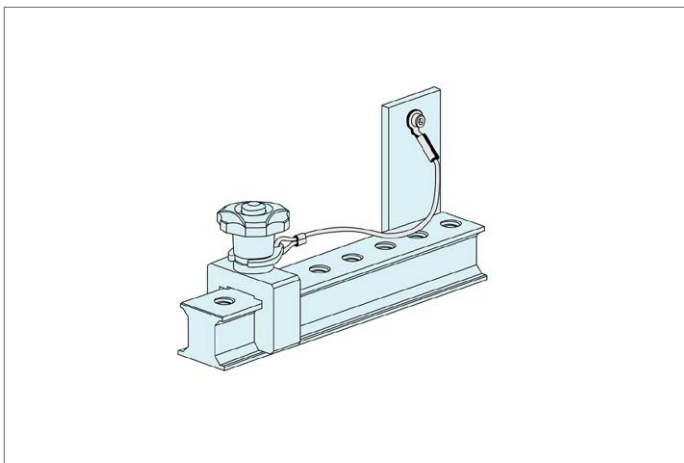
Coating: thermoplastic PA 6, black.

### Technical Notes

Retaining cables designed specifically for

use with threaded lock pin no. 33331.  
Lanyard prevents accidental loss of pin from application.

Order No.	Type	d <sub>1</sub>	l <sub>1</sub>	d <sub>2</sub>	d <sub>3</sub> wire coated	To suit lock pin 33331	Weight g
33268.W6001	1	20.3	150	20.3	2	M 8 to M16	6
33268.W6002	1	20.3	200	20.3	2	M 8 to M16	7
33268.W6003	1	20.3	300	20.3	2	M 8 to M16	8
33268.W6011	2	20.3	150	4.8	2	M 8 to M16	6
33268.W6012	2	20.3	200	4.8	2	M 8 to M16	7
33268.W6013	2	20.3	300	4.8	2	M 8 to M16	8

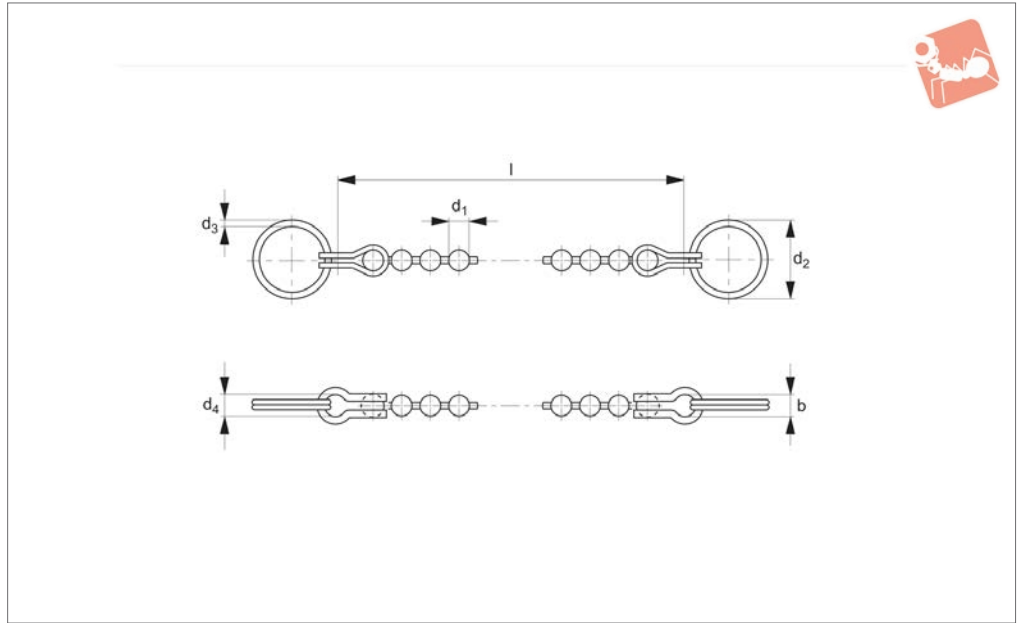




BALL LOCK PINS & QUICK RELEASE PINS



## 33270



### Material

Bead chain: stainless steel AISI 304, polished.  
End attachments: brass, nickel plated.

Split rings: stainless steel.

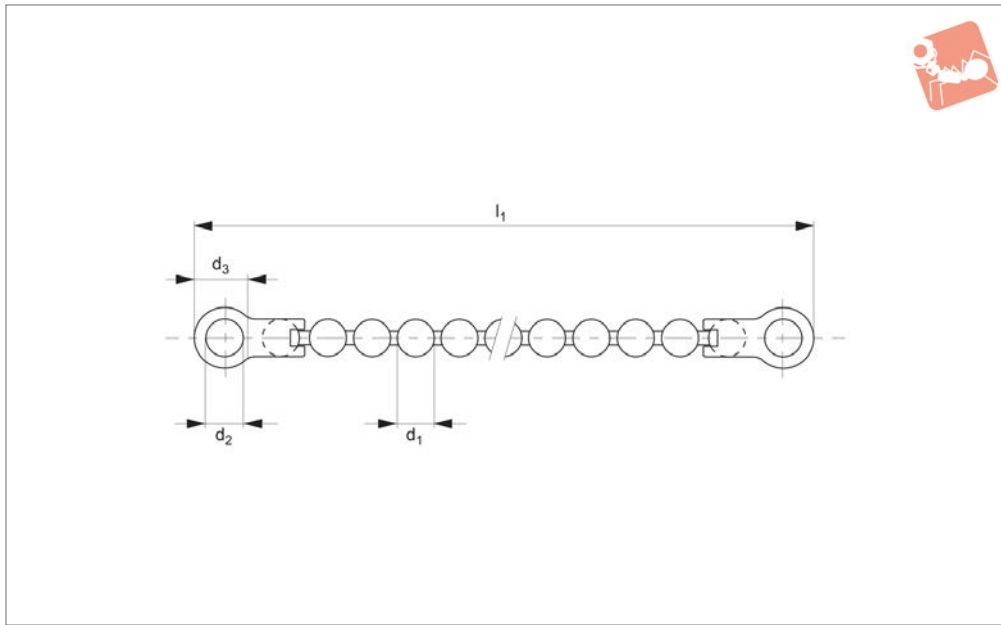
### Technical Notes

Retaining chains secure single-acting ball

lock pins against possible loss.

**Other chain lengths available on request.**

Order No.	Length l	d <sub>1</sub>	Breaking strength kg min.	d <sub>4</sub>	b	Ring thickness d <sub>3</sub>	Ring dia. d <sub>2</sub>
33270.W0200	200	3.2	20	3.5	6	1.52	24
33270.W0350	350	3.2	20	3.5	6	1.52	24
33270.W0500	500	3.2	20	3.5	6	1.52	24



## 33272

BALL LOCK PINS & QUICK RELEASE PINS

### Material

Bead chain: stainless steel AISI 304.  
Terminals: brass.

### Tips

For use in securing components to assemb-

lies, or to avoid items being misplaced. For a wide range of detent pins and quick release ball lock pins see parts 33010 through 33226. Terminals also available in AISI 304 stainless steel on request. Subject

to min. quantity.

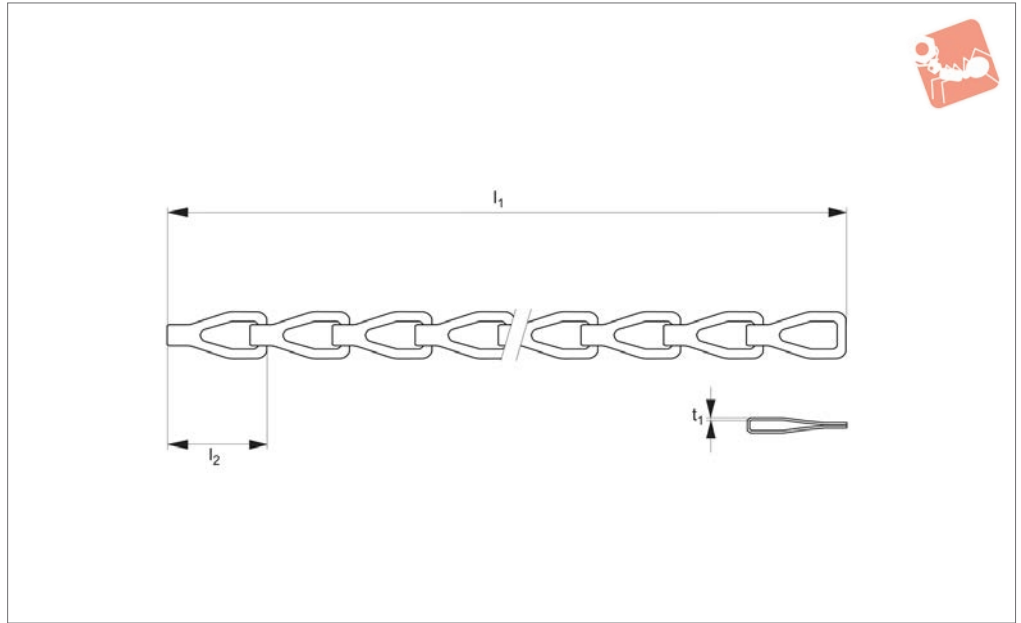
Order No.	Trade size	d <sub>1</sub>	l <sub>1</sub> nom.	d <sub>2</sub>	d <sub>3</sub>	Terminal material
33272.W0080	10	4.5	80	4.7	6.35	Brass
33272.W0100	10	4.5	100	4.7	6.35	Brass
33272.W0150	10	4.5	150	4.7	6.35	Brass
33272.W0200	10	4.5	200	4.7	6.35	Brass
33272.W0300	10	4.5	300	4.7	6.35	Brass
33272.W0450	10	4.5	450	4.7	6.35	Brass



BALL LOCK PINS & QUICK RELEASE PINS



**33274**



**Material**

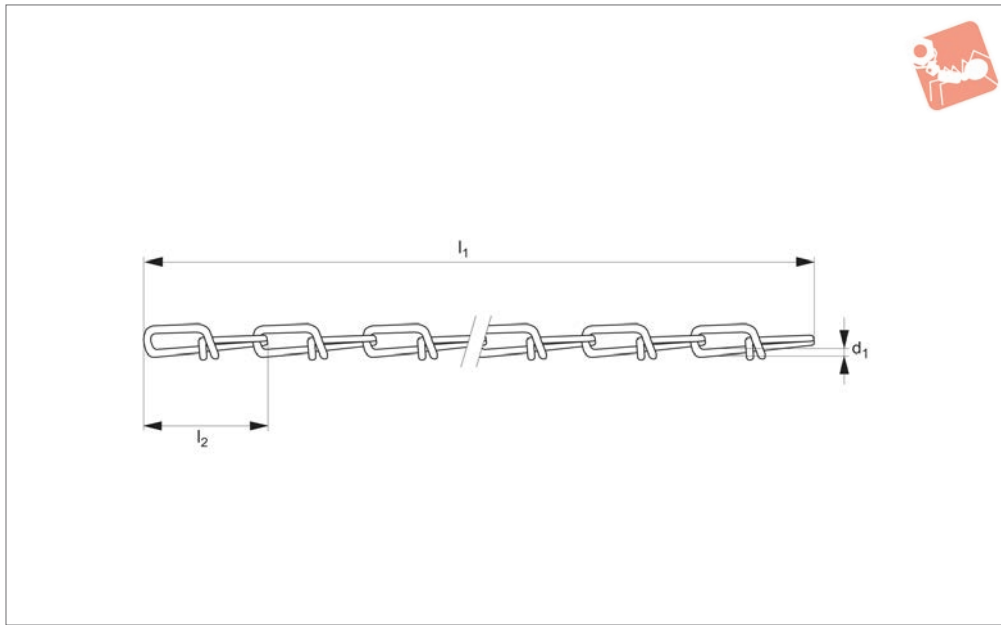
Brass.

**Tips**

For use in securing components to assemb-

lies, or to avoid items being misplaced. For a wide range of detent pins and quick release ball lock pins see parts 33010 through 33226.

Order No.	Material	Trade size	$l_1$ nom.	$l_2$	$t_1$
<b>33274.W0100</b>	Brass	8	100	25	0.95
<b>33274.W0150</b>	Brass	8	150	25	0.95
<b>33274.W0200</b>	Brass	8	200	25	0.95
<b>33274.W0300</b>	Brass	8	300	25	0.95
<b>33274.W0450</b>	Brass	8	450	25	0.95



### 33276

BALL LOCK PINS & QUICK RELEASE PINS

#### Material

Steel (1008), zinc plated.

#### Tips

For use in securing components to assemb-

lies, or to avoid items being misplaced. For a wide range of detent pins and quick release ball lock pins see parts 33010 through 33226. Terminals also available in

AISI 304 stainless steel on request. Subject to min. quantity.

Order No.	Material	Trade size	$d_1$	$l_1$ nom.	$l_2$
33276.W0128	Steel	4	1.8	128	32
33276.W0192	Steel	4	1.8	192	32
33276.W0256	Steel	4	1.8	256	32
33276.W0320	Steel	4	1.8	320	32
33276.W0448	Steel	4	1.8	448	32



**Sound Rigging Systems**

Ball lock pins on a sound rigging system. Offering secure fixing with high shear forces and easy fitting for operators at heights.

In addition full black powder coating of grip and actuation button eliminates glare from other stage lighting.

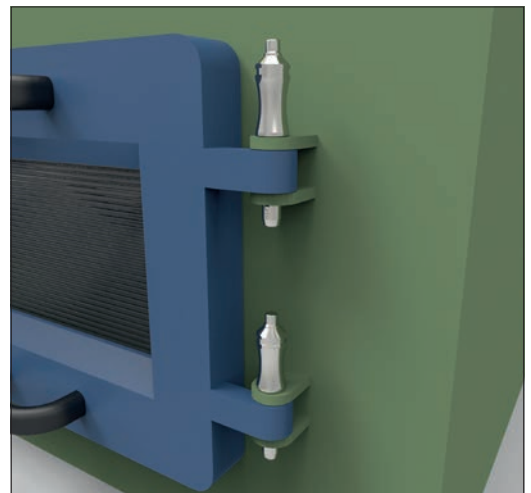
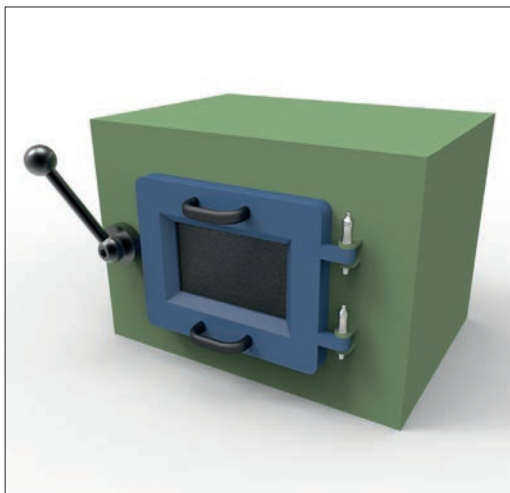


BALL LOCK PINS & QUICK RELEASE PINS

**Gym Equipment**



**Scientific and Medical**







# Wixroyd Ball Lock Pins

features

33060 - 33250

Positioning Elements

BALL LOCK PINS & QUICK RELEASE PINS

1.4305 (AISI 303) - shear force approx. 60% of higher material version 1.4542

1.4542 (AISI 630) - identified by the ridge on the pin

CRES 17-4PH (AMS 5643) aviation standard



## Pin Material



Plastic tri-star    T-handled, metal    L-handled, metal    Mushroom, metal    Single piece metal, contoured

## Handle Style

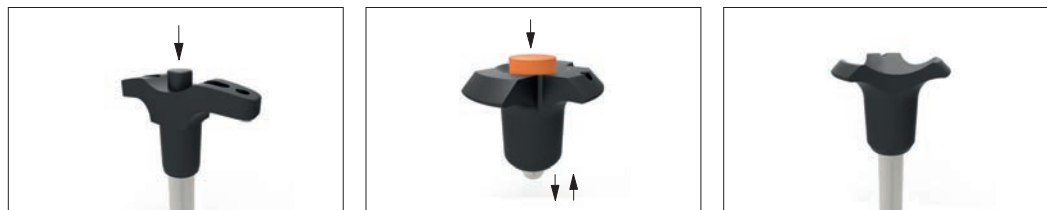


Special plastic self-spring    Adjustable grip length, plastic    Key ring    Safety, metal    Mushroom Type B aviation    Type R aviation



Stainless wire - (coated) - 2 x key ring    Stainless wire - Key ring and fixing loop    Plastic - 2 x cable tie    Steel wire - (coated) - 2 x key ring    Stainless bead chain - 2 x key ring    Locating bushes

## Lanyards and Locating Bushes



Press = unlock  
Release = lock (standard)

Press = unlock and position  
Release = lock and simultaneous clamp

Simple spring loaded balls "pullout pin"

## Actuation



## Important Note

Shear force

Lifting force



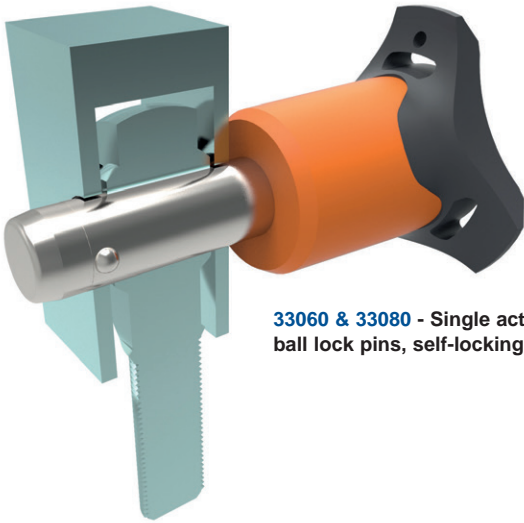
## Special Variations

Variations on our standard designs are possible, please contact our sales team for technical assistance. Quick production on specials can be as little as 3 weeks.



### Applications

- Positioning.
- Lifting.
- Locking.
- Indexing.
- Joining.



**33060 & 33080** - Single acting ball lock pins, self-locking.



**33194** - Single acting ball lock pins, self locking, simple finish.



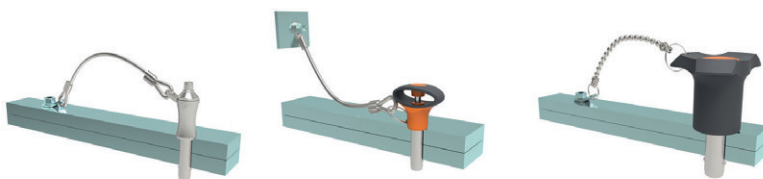
**33140** - Socket pins, non-locking, spring loaded balls.



**33100** - Single acting ball lock pin, self locking.



**33180** - Clamping pins, with span compensation, self-locking.



**33250 & 33270** - Lanyards.



**33220** - Ball lock pins, single acting - L-handle