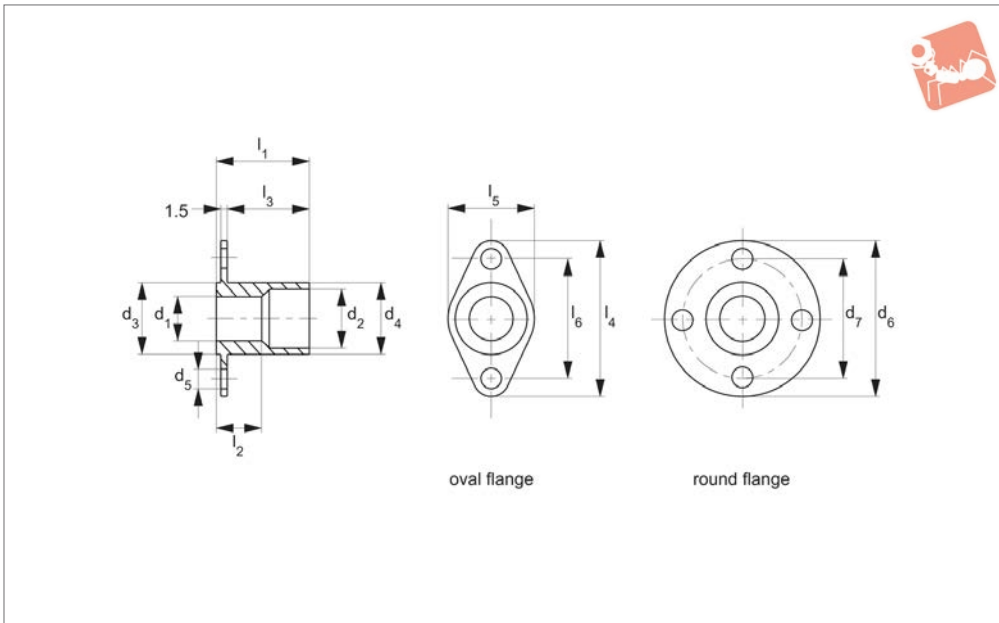




# Flange Bushings for Ball Lock pins stainless steel

## Ball Lock Pins & Quick Release



**33246**

BALL LOCK PINS & QUICK RELEASE PINS

### Material

Body: stainless steel 1.4305. (AISI 303).

### Technical Notes

For quick and safe location of single acting ball lock pins - especially in soft materials

such as aluminium, or in thin walled components.

Can be used from both sides. Optimised centering due to precision collar on bush.

### Tips

For use with our wide range of metric ball lock pins, see part no.'s 33060 through to 33226.

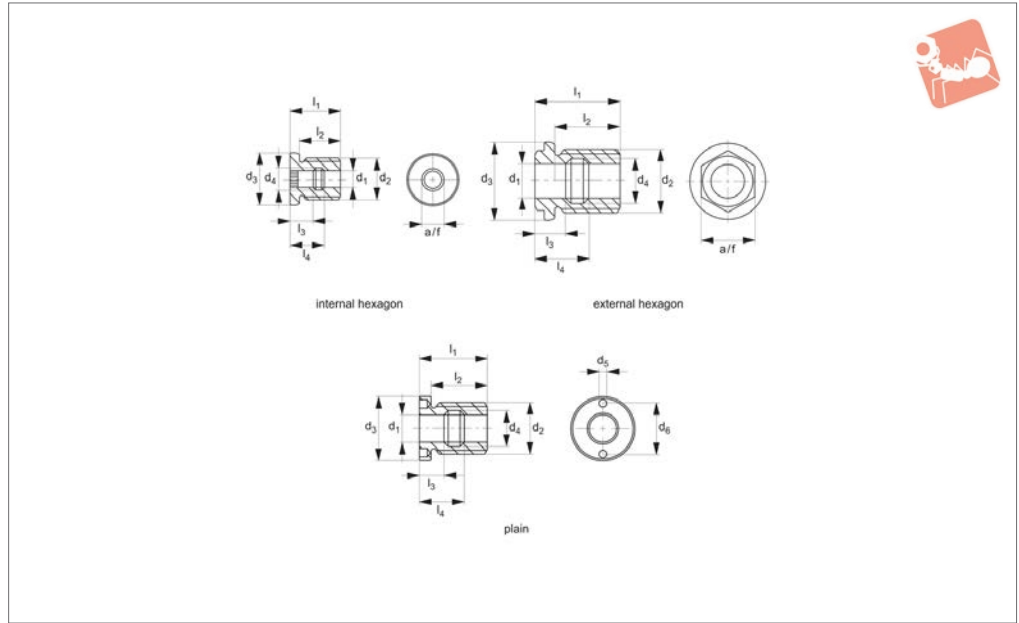
Order No.	Type	For pin dia. nom.	d <sub>1</sub> tol. H11	d <sub>2</sub>	d <sub>3</sub> -0.05	d <sub>4</sub> -0.1	d <sub>5</sub>	d <sub>6</sub>	d <sub>7</sub>	l <sub>1</sub>	l <sub>2</sub>	l <sub>3</sub>	l <sub>4</sub>	l <sub>5</sub>	l <sub>6</sub>	Weight g
<b>33246.W0305</b>	Oval flange	5	5	8	10	9.9	3.4	-	-	12	5.4	9.5	25	15	19	6
<b>33246.W0306</b>	Oval flange	6	6	8	10	9.9	3.4	-	-	13	5.3	10.5	25	15	19	6
<b>33246.W0308</b>	Oval flange	8	8	10	12	11.9	4.5	-	-	19	10.3	16.5	30	18	22	10
<b>33246.W0310</b>	Oval flange	10	10	13	16	15.9	4.5	-	-	21	10.2	18.5	35	20	27	19
<b>33246.W0312</b>	Oval flange	12	12	15	19	18.9	4.5	-	-	27	15.2	24.5	40	24	30	34
<b>33246.W0316</b>	Oval flange	16	16	20	24	23.9	5.5	-	-	30	15.3	27.5	50	30	40	52
<b>33246.W0405</b>	Round flange	5	5	8	10	9.9	3.4	25	19	12	5.4	9.5	-	-	-	9
<b>33246.W0406</b>	Round flange	6	6	8	10	9.9	3.4	25	19	13	5.3	10.5	-	-	-	9
<b>33246.W0408</b>	Round flange	8	8	10	12	11.9	4.5	30	22	19	10.3	16.5	-	-	-	14
<b>33246.W0410</b>	Round flange	10	10	13	16	15.9	4.5	35	27	21	10.2	18.5	-	-	-	24
<b>33246.W0412</b>	Round flange	12	12	15	19	18.9	4.5	40	30	27	15.2	24.5	-	-	-	41
<b>33246.W0416</b>	Round flange	16	16	20	24	23.9	5.5	50	40	30	15.3	27.5	-	-	-	63



BALL LOCK PINS & QUICK RELEASE PINS



## 33248



### Material

Body: stainless steel 1.4305. (AISI 303).

### Technical Notes

For quick and safe location of single acting ball lock pins - especially in soft materials such as aluminium, or in thin walled

components.

Can be used from both sides. Optimised centering due to precision collar on bush.

### Important Notes

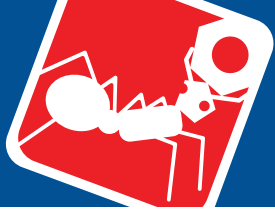
$l_5$  and  $l_6$  refer to depths of ball locating recess when bush is installed flange collar

up, or flange collar inverted (see diagram below).

Use pin face spanner with 5mm pin to install pin mount bushings.

Order No.	Type	$d_1$ tol. H11	$d_2$	$d_3$ tol. h9	$d_4$	$d_5$	$d_6$	Weight g
33248.W0905	Int Hex	5	M12	18	6.0	-	-	15
33248.W0906	Int Hex	6	M12	18	7.5	-	-	13
33248.W0908	Int Hex	8	M16	22	10.0	-	-	29
33248.W0910	Int Hex	10	M24	30	12.5	-	-	75
33248.W0912	Int Hex	12	M24	30	15.0	-	-	66
33248.W0916	Ext Hex	16	M30	36	19.5	-	-	124
33248.W0920	Ext Hex	20	M36	45	25.5	-	-	208
33248.W0924	Ext Hex	25	M42	50	32.0	-	-	415
33248.W0925	Plain	16	M30	39	19.5	5.1	30	160
33248.W0926	Plain	20	M36	43	25.5	5.1	30	257
33248.W0927	Plain	25	M42	50	32.0	5.1	36	434

Order No.	$l_1$	$l_2$	$l_3$	$l_4$	$l_5$	$l_6$	A/F
33248.W0905	19	15	9.0	13.0	5.1	9.0	5
33248.W0906	19	15	9.4	13.0	5.6	8.8	6
33248.W0908	25	20	12.0	17.0	7.3	11.7	8
33248.W0910	29	24	13.5	19.5	8.9	14.1	10
33248.W0912	29	24	14	20	9.6	14.4	12
33248.W0916	39	29	15.5	23.5	6.1	12.8	24
33248.W0920	49	38	17.5	31.5	7.7	19.3	30
33248.W0924	65	50	26.5	38.5	13.3	21.8	36
33248.W0925	39	33	15.5	23.5	10.4	16.6	-
33248.W0926	49	42	17.5	31.5	11.9	23.1	-
33248.W0927	65	57	26.5	38.5	13.3	21.8	-



# Locating Bushes for ball lock pins

# Ball Lock Pins & Quick Release



BALL LOCK PINS & QUICK RELEASE PINS



**Sound Rigging Systems**

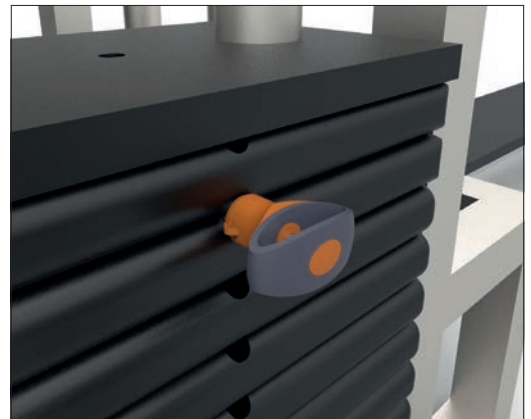
Ball lock pins on a sound rigging system. Offering secure fixing with high shear forces and easy fitting for operators at heights.

In addition full black powder coating of grip and actuation button eliminates glare from other stage lighting.

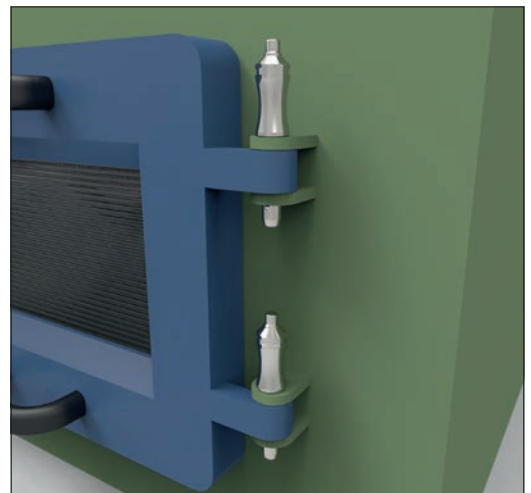
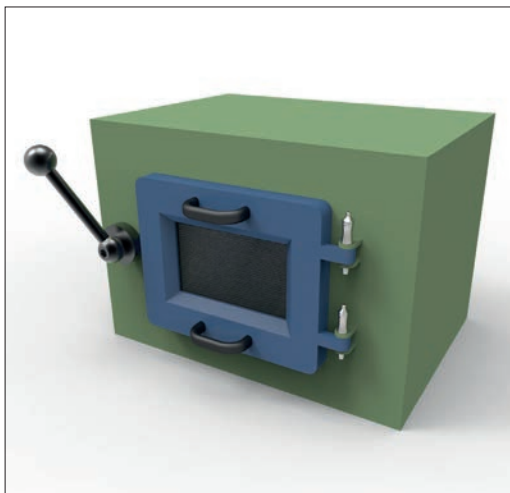


BALL LOCK PINS & QUICK RELEASE PINS

**Gym Equipment**



**Scientific and Medical**





# Wixroyd Ball Lock Pins

features

33060 - 33250

Positioning Elements

BALL LOCK PINS & QUICK RELEASE PINS

1.4305 (AISI 303) - shear force approx. 60% of higher material version 1.4542

1.4542 (AISI 630) - identified by the ridge on the pin

CRES 17-4PH (AMS 5643) aviation standard



## Pin Material



## Handle Style

Plastic tri-star    T-handled, metal    L-handled, metal    Mushroom, metal    Single piece metal, contoured

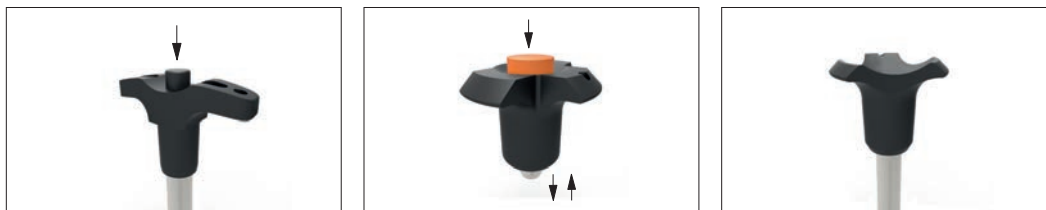


Special plastic self-spring    Adjustable grip length, plastic    Key ring    Safety, metal    Mushroom Type B aviation    Type R aviation



## Lanyards and Locating Bushes

Stainless wire - (coated) - 2 x key ring    Stainless wire - Key ring and fixing loop    Plastic - 2 x cable tie    Steel wire - (coated) - 2 x key ring    Stainless bead chain - 2 x key ring    Locating bushes



## Actuation

Press = unlock  
Release = lock (standard)

Press = unlock and position  
Release = lock and simultaneous clamp

Simple spring loaded balls "pullout pin"



## Important Note

**Important Note: Ball lock pins are not suited to lifting applications!**  
For quick release lifting pins, see part 33400.

Shear force

Lifting force



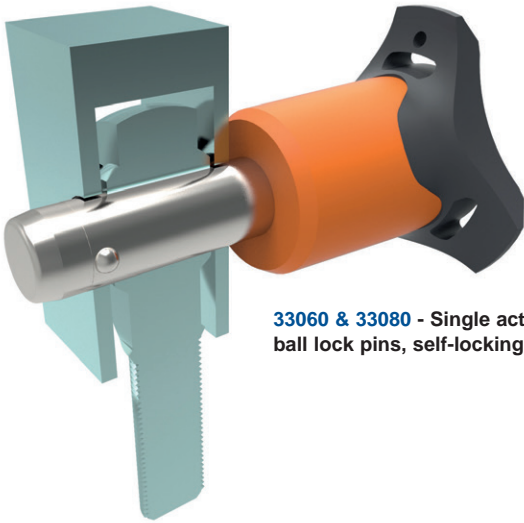
## Special Variations

Variations on our standard designs are possible, please contact our sales team for technical assistance. Quick production on specials can be as little as 3 weeks.



### Applications

- Positioning.
- Lifting.
- Locking.
- Indexing.
- Joining.



**33060 & 33080** - Single acting ball lock pins, self-locking.



**33194** - Single acting ball lock pins, self locking, simple finish.



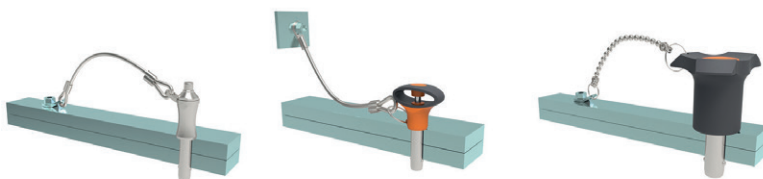
**33140** - Socket pins, non-locking, spring loaded balls.



**33100** - Single acting ball lock pin, self locking.



**33180** - Clamping pins, with span compensation, self-locking.



**33250 & 33270** - Lanyards.



**33220** - Ball lock pins, single acting - L-handle