

33300

BALL LOCK PINS & QUICK RELEASE PINS

Material

Mild steel, generally yellow zinc plated.

For pin $d_1 = 4,5$ & 6 there is no flat on the pin.

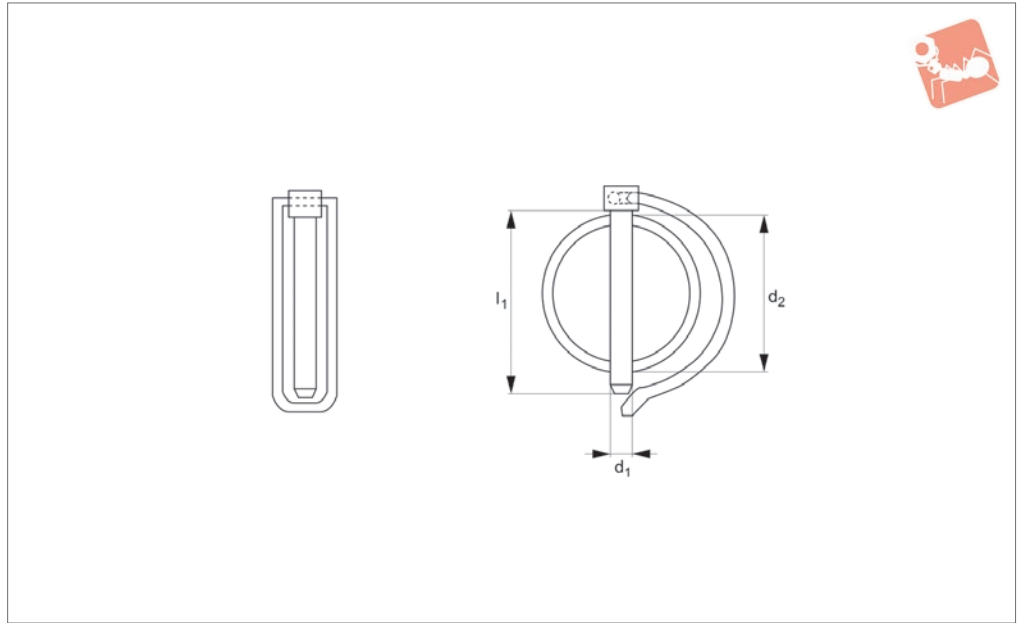
Technical Notes

To DIN 11023. With spring steel „keep“.

Order No.	d_1	l_1	d_2 max.	d_3	d_4	l_2
33300.W0004	4.5	42	25	3.5	41	37
33300.W0006	6.0	42	32	3.5	41	37
33300.W0007	7.0	42	32	3.5	41	37
33300.W0009	9.0	42	32	3.5	41	37
33300.W0010	10.0	42	32	3.5	41	37
33300.W0011	11.0	42	32	3.5	41	37



33320



Material

Mild steel, generally silver zinc-plated.
Zinc plating colour will be at manufac-

turers discretion.

Technical Notes

With spring steel „keep“.

Order No.	d ₁	l ₁	d ₂ max.
33320.W0041	4.5	32	28
33320.W0042	4.5	40	36
33320.W0061	6.0	32	28
33320.W0062	6.0	40	36
33320.W0063	6.0	45	40
33320.W0080	8.0	40	36
33320.W0081	8.0	45	40
33320.W0082	8.0	50	45
33320.W0083	8.0	60	50
33320.W0101	10.0	40	36
33320.W0102	10.0	50	45
33320.W0103	10.0	60	55
33320.W0111	11.0	45	40
33320.W0112	11.0	55	50