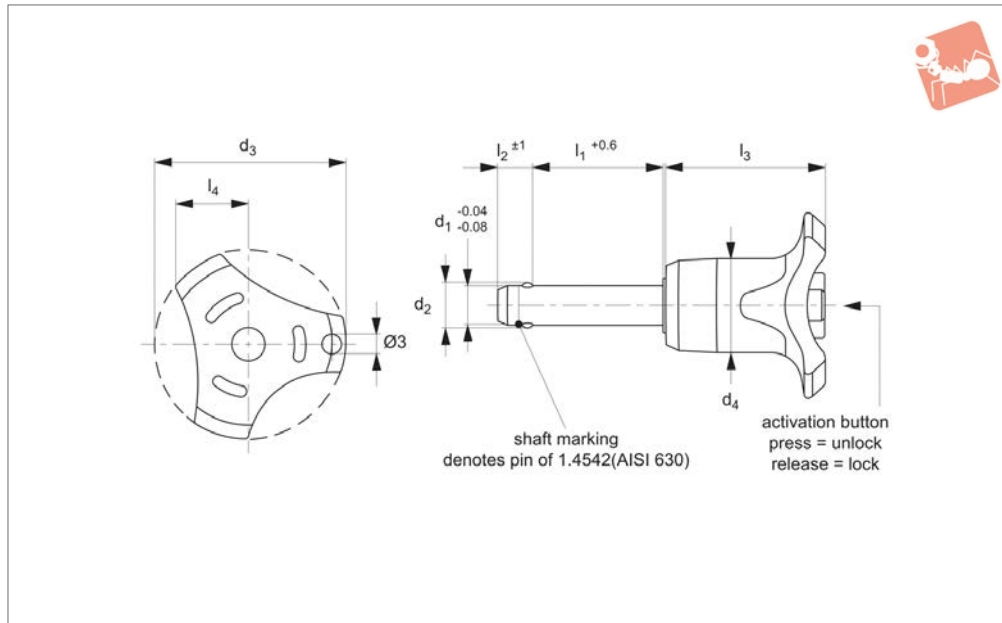




Ball Lock Pins - Single Acting - Black

self-locking - stainless steel 1.4542 (AISI 630)

Ball Lock Pins & Quick Release



33060.BK

BALL LOCK PINS & QUICK RELEASE PINS

Material

Pin: stainless steel 1,4542 (AISI 630), precipitation hardened, blast finish. (marked at end of shaft to denote 1.4542 material).

Ball: stainless steel 1.3541

Spring: stainless steel.

Handle: thermoplastic PA 6.

Available colours: grey/orange, grey/blue, grey/grey, black/black.

Technical Notes

Pressing = unlocking.

Releasing = locking.

Temperature resistance -30°C to +80°C.

For quick fastening and locking of frequently repeated connections.

Tips

For lanyards & retaining cables see part no.33250. Easy install locating bushes

available see part no.33248.

Important Notes

Extreme load capacity due to high material grade.

*Shearing resistance similar to DIN 50141.

Also available in stainless grade 1.4305 (AISI 303), see part no.33080.

Order No.	d ₁	l ₁	d ₂	d ₃	d ₄	l ₂	l ₃	l ₄	Loc'n hole tol. H11	Shearing resistance, double kN min.	Weight g
33060.W0812	5	10	5.5	33.2	14.5	6.0	26.7	10.8	5	24	15
33060.W0813	5	15	5.5	33.2	14.5	6.0	26.7	10.8	5	24	15
33060.W0814	5	20	5.5	33.2	14.5	6.0	26.7	10.8	5	24	16
33060.W0815	5	25	5.5	33.2	14.5	6.0	26.7	10.8	5	24	17
33060.W0816	5	30	5.5	33.2	14.5	6.0	26.7	10.8	5	24	18
33060.W0817	6	60	7.0	33.2	14.5	7.0	26.7	10.8	6	21	26
33060.W0818	6	70	7.0	33.2	14.5	7.0	26.7	10.8	6	21	28
33060.W0819	6	80	7.0	33.2	14.5	7.0	26.7	10.8	6	21	30
33060.W0805	5	35	5.5	33.2	14.5	6.0	26.7	10.8	5	14	19
33060.W0806	5	40	5.5	33.2	14.5	6.0	26.7	10.8	5	14	20
33060.W0807	5	45	5.5	33.2	14.5	6.0	26.7	10.8	5	14	21
33060.W0808	5	50	5.5	33.2	14.5	6.0	26.7	10.8	5	14	23
33060.W0809	5	60	5.5	33.2	14.5	6.0	26.7	10.8	5	14	24
33060.W0810	5	70	5.5	33.2	14.5	6.0	26.7	10.8	5	14	18
33060.W0811	5	80	5.5	33.2	14.5	6.0	26.7	10.8	5	14	19
33060.W0821	8	100	9.6	39.2	18.4	8.2	33.3	13.4	8	38	54
33060.W0822	6	10	7.0	33.2	14.5	7.0	26.7	10.8	6	35	16
33060.W0823	6	15	7.0	33.2	14.5	7.0	26.7	10.8	6	35	17
33060.W0824	6	20	7.0	33.2	14.5	7.0	26.7	10.8	6	35	18
33060.W0825	6	25	7.0	33.2	14.5	7.0	26.7	10.8	6	35	19
33060.W0826	6	30	7.0	33.2	14.5	7.0	26.7	10.8	6	35	20
33060.W0827	6	35	7.0	33.2	14.5	7.0	26.7	10.8	6	35	21
33060.W0828	6	40	7.0	33.2	14.5	7.0	26.7	10.8	6	35	22
33060.W0829	6	45	7.0	33.2	14.5	7.0	26.7	10.8	6	35	23
33060.W0830	6	50	7.0	33.2	14.5	7.0	26.7	10.8	6	35	24
33060.W0831	8	90	9.6	39.2	18.4	8.2	33.3	13.4	8	38	36

Ball Lock Pins & Quick Release

Ball Lock Pins - Single Acting - Black

self-locking - stainless steel 1.4542 (AISI 630)



BALL LOCK PINS & QUICK RELEASE PINS

Order No.	d ₁	l ₁	d ₂	d ₃	d ₄	l ₂	l ₃	l ₄	Loc'n hole tol. H11	Shearing resistance, double kN min.	Weight g
33060.W0832	8	10	9.6	39.2	18.4	8.2	33.3	13.4	8	38	38
33060.W0833	8	15	9.6	39.2	18.4	8.2	33.3	13.4	8	38	58
33060.W0834	8	20	9.6	39.2	19.3	8.2	33.3	13.4	8	63	40
33060.W0835	8	25	9.6	39.2	19.3	8.2	33.3	13.4	8	63	40
33060.W0836	8	30	9.6	39.2	19.3	8.2	33.3	13.4	8	63	44
33060.W0837	8	35	9.6	39.2	19.3	8.2	33.3	13.4	8	63	44
33060.W0838	8	40	9.6	39.2	19.3	8.2	33.3	13.4	8	63	47
33060.W0839	8	45	9.6	39.2	19.3	8.2	33.3	13.4	8	63	47
33060.W0840	8	50	9.6	39.2	19.3	8.2	33.3	13.4	8	63	47
33060.W0841	8	60	9.6	39.2	18.4	8.2	33.3	13.4	8	38	62
33060.W0842	8	70	9.6	39.2	18.4	8.2	33.3	13.4	8	38	65
33060.W0843	8	80	9.6	39.2	18.4	8.2	33.3	13.4	8	38	69
33060.W0844	10	20	12.0	39.2	19.3	9.6	33.3	13.4	10	100	47
33060.W0845	10	25	12.0	39.2	19.3	9.6	33.3	13.4	10	100	49
33060.W0846	10	30	12.0	39.2	19.3	9.6	33.3	13.4	10	100	53
33060.W0847	10	35	12.0	39.2	19.3	9.6	33.3	13.4	10	100	55
33060.W0848	10	40	12.0	39.2	19.3	9.6	33.3	13.4	10	100	58
33060.W0849	10	45	12.0	39.2	19.3	9.6	33.3	13.4	10	100	61
33060.W0850	10	50	12.0	39.2	19.3	9.6	33.3	13.4	10	100	61
33060.W0851	10	15	12.0	39.2	18.4	9.6	33.3	13.4	10	60	86
33060.W0852	10	60	12.0	39.2	19.3	9.6	33.3	13.4	10	100	70
33060.W0853	10	70	12.0	39.2	18.4	9.6	33.3	13.4	10	60	91
33060.W0854	10	80	12.0	39.2	18.4	9.6	33.3	13.4	10	60	97
33060.W0855	10	90	12.0	39.2	18.4	9.6	33.3	13.4	10	60	103
33060.W0856	10	100	12.0	39.2	18.4	9.6	33.3	13.4	10	60	109
33060.W0857	10	110	12.0	39.2	18.4	9.6	33.3	13.4	10	60	115
33060.W0858	10	120	12.0	39.2	18.4	9.6	33.3	13.4	10	60	53
33060.W0864	12	20	14.5	47.6	25.2	10.6	39.7	16.7	12	87	156
33060.W0865	10	25	12.0	39.2	19.3	9.6	33.3	13.4	10	100	70
33060.W0866	12	30	14.5	47.6	26.3	10.6	39.7	16.7	12	144	100
33060.W0867	12	35	14.5	47.6	26.3	10.6	39.7	16.7	12	144	105
33060.W0868	12	40	14.5	47.6	26.3	10.6	39.7	16.7	12	144	105
33060.W0869	12	45	14.5	47.6	26.3	10.6	39.7	16.7	12	144	113
33060.W0870	12	50	14.5	47.6	26.3	10.6	39.7	16.7	12	144	117
33060.W0872	12	60	14.5	47.6	26.3	10.6	39.7	16.7	12	144	126
33060.W0874	12	70	14.5	47.6	26.3	10.6	39.7	16.7	12	144	134
33060.W0876	12	80	14.5	47.6	26.3	10.6	39.7	16.7	12	144	143
33060.W0877	12	90	14.5	47.6	25.2	10.6	39.7	16.7	12	87	165
33060.W0878	12	100	14.5	47.6	25.2	10.6	39.7	16.7	12	87	173
33060.W0879	12	110	14.5	47.6	25.2	10.6	39.7	16.7	12	87	182
33060.W0880	12	120	14.5	47.6	25.2	10.6	39.7	16.7	12	87	96
33060.W0886	16	30	19.0	47.6	26.3	14.0	39.7	16.7	16	257	132
33060.W0887	16	35	19.0	47.6	26.3	14.0	39.7	16.7	16	257	140
33060.W0888	16	40	19.0	47.6	26.3	14.0	39.7	16.7	16	257	148
33060.W0889	16	45	19.0	47.6	26.3	14.0	39.7	16.7	16	257	155
33060.W0890	16	45	19.0	47.6	26.3	14.0	39.7	16.7	16	257	155
33060.W0892	16	60	19.0	47.6	26.3	14.0	39.7	16.7	16	257	178
33060.W0894	16	70	19.0	47.6	26.3	14.0	39.7	16.7	16	257	194
33060.W0896	16	80	19.0	47.6	26.3	14.0	39.7	16.7	16	257	208
33060.W0897	16	90	19.0	47.6	25.2	14.0	39.7	16.7	16	155	234
33060.W0898	16	10	19.0	47.6	25.2	14.0	39.7	16.7	16	155	251
33060.W0899	16	110	19.0	47.6	25.2	14.0	39.7	16.7	16	155	266
33060.W0900	16	120	19.0	47.6	25.2	14.0	39.7	16.7	16	155	281
33060.W0901	16	130	19.0	47.6	25.2	14.0	39.7	16.7	16	155	297
33060.W0902	16	140	19.0	47.6	25.2	14.0	39.7	16.7	16	155	313
33060.W0903	16	150	19.0	47.6	25.2	14.0	39.7	16.7	16	155	328
33060.W0904	20	60	25.0	57.1	35.4	20.5	50.7	21.5	20	403	343
33060.W0905	20	50	25.0	57.1	33.8	20.5	50.7	21.5	20	403	329
33060.W0906	20	70	25.0	57.1	33.8	20.5	50.7	21.5	20	403	377
33060.W0907	20	90	25.0	57.1	33.8	20.5	50.7	21.5	20	403	426
33060.W0908	20	80	25.0	57.1	35.4	20.5	50.7	21.5	20	403	392
33060.W0912	20	100	25.0	57.1	35.4	20.5	50.7	21.5	20	403	440
33060.W0913	20	110	25.0	57.1	33.8	20.5	50.7	21.5	20	403	474
33060.W0916	20	120	25.0	57.1	33.8	20.5	50.7	21.5	20	403	488
33060.W0917	20	130	25.0	57.1	33.8	20.5	50.7	21.5	20	403	523
33060.W0918	20	140	25.0	57.1	33.8	20.5	50.7	21.5	20	403	546
33060.W0919	20	150	25.0	57.1	33.8	20.5	50.7	21.5	20	403	571



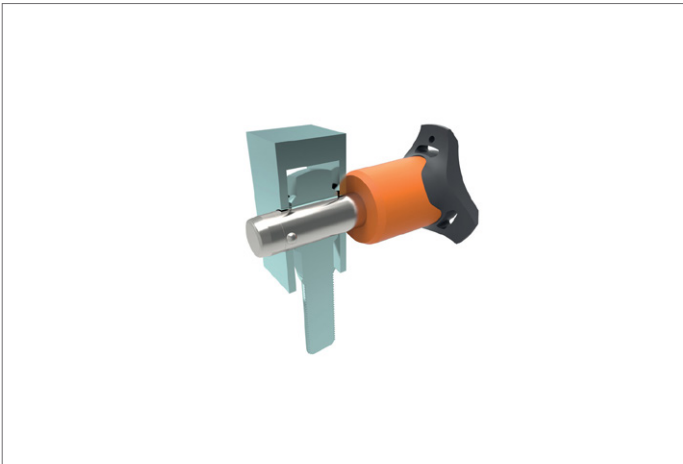
Ball Lock Pins - Single Acting - Black

self-locking - stainless steel 1.4542 (AISI 630)

Ball Lock Pins & Quick Release



Order No.	d ₁	l ₁	d ₂	d ₃	d ₄	l ₂	l ₃	l ₄	Loc'n hole tol. H11	Shearing resistance, double kN min.	Weight g
33060.W0921	25	50	30.8	57.1	33.8	22.0	50.7	21.5	25	631	415
33060.W0922	25	60	30.8	57.1	33.8	22.0	50.7	21.5	25	631	453
33060.W0923	25	70	30.8	57.1	33.8	22.0	50.7	21.5	25	631	490
33060.W0924	25	80	30.8	57.1	33.8	22.0	50.7	21.5	25	631	528
33060.W0925	25	90	30.8	57.1	33.8	22.0	50.7	21.5	25	631	565
33060.W0926	25	100	30.8	57.1	33.8	22.0	50.7	21.5	25	631	603
33060.W0927	25	110	30.8	57.1	33.8	22.0	50.7	21.5	25	631	640
33060.W0928	25	120	30.8	57.1	33.8	22.0	50.7	21.5	25	631	678
33060.W0929	25	130	30.8	57.1	33.8	22.0	50.7	21.5	25	631	715
33060.W0930	25	140	30.8	57.1	33.8	22.0	50.7	21.5	25	631	753
33060.W0931	25	150	30.8	57.1	33.8	22.0	50.7	21.5	25	631	790



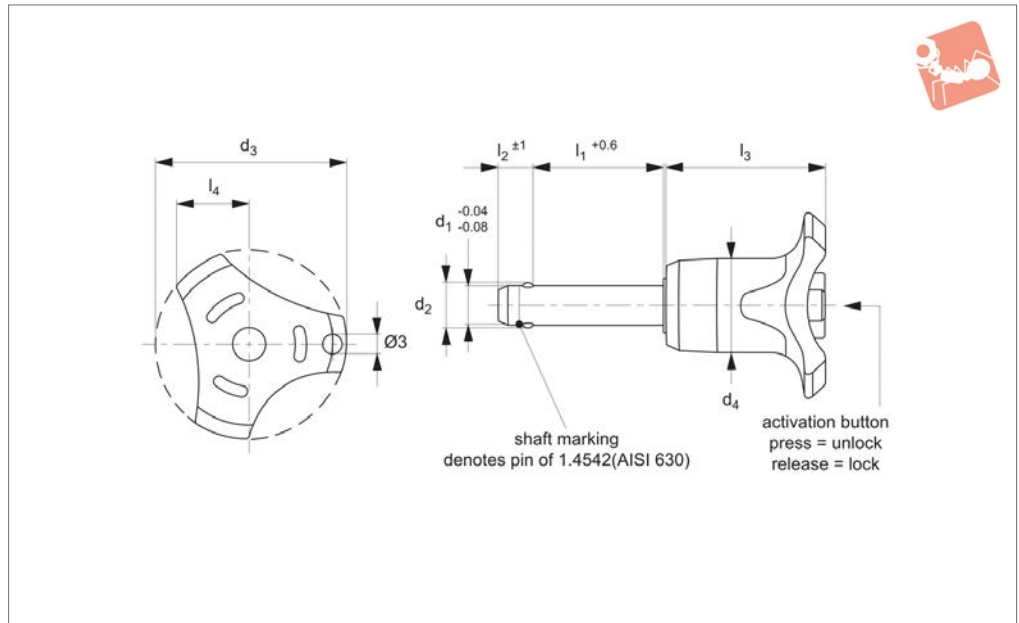
BALL LOCK PINS & QUICK RELEASE PINS



BALL LOCK PINS & QUICK RELEASE PINS



33060.BU



Material

Pin: stainless steel 1,4542 (AISI 630), precipitation hardened, blast finish. (marked at end of shaft to denote 1.4542 material).

Ball: stainless steel 1.3541

Spring: stainless steel.

Handle: thermoplastic PA 6.

Available colours: grey/orange, grey/blue, grey/grey, black/black.

Technical Notes

Pressing = unlocking.

Releasing = locking.

Temperature resistance -30°C to +80°C.

For quick fastening and locking of frequently repeated connections.

Tips

For lanyards & retaining cables see part no.33250. Easy install locating bushes

available see part no.33248.

Important Notes

Extreme load capacity due to high material grade.

*Shearing resistance similar to DIN 50141.

Also available in stainless grade 1.4305 (AISI 303), see part no.33080.

Order No.	d ₁	l ₁	d ₂	d ₃	d ₄	l ₂	l ₃	l ₄	Loc'n hole tol. H11	Shearing resistance, double kN min.	Weight g
33060.W0432	5	10	5.5	33.2	14.5	6.0	26.7	10.8	5	24	15
33060.W0433	5	15	5.5	33.2	14.5	6.0	26.7	10.8	5	24	15
33060.W0434	5	20	5.5	33.2	14.5	6.0	26.7	10.8	5	24	16
33060.W0435	5	25	5.5	33.2	14.5	6.0	26.7	10.8	5	24	17
33060.W0436	5	30	5.5	33.2	14.5	6.0	26.7	10.8	5	24	18
33060.W0437	6	60	7.0	33.2	14.5	7.0	26.7	10.8	6	21	26
33060.W0438	6	70	7.0	33.2	14.5	7.0	26.7	10.8	6	21	28
33060.W0439	6	80	7.0	33.2	14.5	7.0	26.7	10.8	6	21	30
33060.W0425	5	35	5.5	33.2	14.5	6.0	26.7	10.8	5	14	19
33060.W0426	5	40	5.5	33.2	14.5	6.0	26.7	10.8	5	14	20
33060.W0427	5	45	5.5	33.2	14.5	6.0	26.7	10.8	5	14	21
33060.W0428	5	50	5.5	33.2	14.5	6.0	26.7	10.8	5	14	23
33060.W0429	5	60	5.5	33.2	14.5	6.0	26.7	10.8	5	14	24
33060.W0430	5	70	5.5	33.2	14.5	6.0	26.7	10.8	5	14	18
33060.W0431	5	80	5.5	33.2	14.5	6.0	26.7	10.8	5	14	19
33060.W0441	8	100	9.6	39.2	18.4	8.2	33.3	10.8,13.4	8	38	54
33060.W0442	6	10	7.0	33.2	14.5	7.0	26.7	10.8	6	35	16
33060.W0443	6	15	7.0	33.2	14.5	7.0	26.7	10.8	6	35	17
33060.W0444	6	20	7.0	33.2	14.5	7.0	26.7	10.8	6	35	18
33060.W0445	6	25	7.0	33.2	14.5	7.0	26.7	10.8	6	35	19
33060.W0446	6	30	7.0	33.2	14.5	7.0	26.7	10.8	6	35	20
33060.W0447	6	35	7.0	33.2	14.5	7.0	26.7	10.8	6	35	21
33060.W0448	6	40	7.0	33.2	14.5	7.0	26.7	10.8	6	35	22
33060.W0449	6	45	7.0	33.2	14.5	7.0	26.7	10.8	6	35	23
33060.W0450	6	50	7.0	33.2	14.5	7.0	26.7	10.8	6	35	24
33060.W0451	8	90	9.6	39.2	18.4	8.2	33.3	13.4	8	38	36



Ball Lock Pins - Single Acting - Blue

self-locking - stainless steel 1.4542 (AISI 630)



Ball Lock Pins & Quick Release

Order No.	d ₁	l ₁	d ₂	d ₃	d ₄	l ₂	l ₃	l ₄	Loc'n hole tol. H11	Shearing resistance, double kN min.	Weight g
33060.W0452	8	10	9.6	39.2	18.4	8.2	33.3	13.4	8	38	24
33060.W0453	8	15	9.6	39.2	18.4	8.2	33.3	13.4	8	38	58
33060.W0454	8	20	9.6	39.2	19.3	8.2	33.3	13.4	8	63	40
33060.W0455	8	25	9.6	39.2	19.3	8.2	33.3	13.4	8	63	42
33060.W0456	8	30	9.6	39.2	19.3	8.2	33.3	13.4	8	63	44
33060.W0457	8	35	9.6	39.2	19.3	8.2	33.3	13.4	8	63	46
33060.W0458	8	40	9.6	39.2	19.3	8.2	33.3	13.4	8	63	47
33060.W0459	8	45	9.6	39.2	19.3	8.2	33.3	13.4	8	63	49
33060.W0460	8	50	9.6	39.2	18.4	8.2	33.3	13.4	8	63	51
33060.W0461	8	60	9.6	39.2	18.4	8.2	33.3	13.4	8	38	62
33060.W0462	8	70	9.6	39.2	18.4	8.2	33.3	13.4	8	38	65
33060.W0463	8	80	9.6	39.2	18.4	8.2	33.3	13.4	8	38	69
33060.W0464	10	20	12.0	39.2	19.3	9.6	33.3	13.4	10	100	47
33060.W0465	10	25	12.0	39.2	19.3	9.6	33.3	13.4	10	100	49
33060.W0466	10	30	12.0	39.2	19.3	9.6	33.3	13.4	10	100	53
33060.W0467	10	35	12.0	39.2	19.3	9.6	33.3	13.4	10	100	55
33060.W0468	10	40	12.0	39.2	19.3	9.6	33.3	13.4	10	100	58
33060.W0469	10	45	12.0	39.2	19.3	9.6	33.3	13.4	10	100	61
33060.W0470	10	50	12.0	39.2	19.3	9.6	33.3	13.4	10	100	64
33060.W0471	10	15	12.0	39.2	18.4	9.6	33.3	13.4	10	60	86
33060.W0472	10	60	12.0	39.2	19.3	9.6	33.3	13.4	10	100	70
33060.W0473	10	70	12.0	39.2	18.4	9.6	33.3	13.4	10	60	91
33060.W0474	10	80	12.0	39.2	18.4	9.6	33.3	13.4	10	60	97
33060.W0475	10	90	12.0	39.2	18.4	9.6	33.3	13.4	10	60	103
33060.W0476	10	100	12.0	39.2	18.4	9.6	33.3	13.4	10	60	109
33060.W0477	10	110	12.0	39.2	18.4	9.6	33.3	13.4	10	60	115
33060.W0478	10	120	12.0	39.2	18.4	9.6	33.3	13.4	10	60	53
33060.W0484	12	20	14.5	47.6	25.2	10.6	39.7	16.7	12	87	156
33060.W0485	12	25	14.5	47.6	26.3	10.6	39.7	16.7	12	144	96
33060.W0486	12	30	14.5	47.6	26.3	10.6	39.7	16.7	12	144	100
33060.W0487	12	35	14.5	47.6	26.3	10.6	39.7	16.7	12	144	105
33060.W0488	12	40	14.5	47.6	26.3	10.6	39.7	16.7	12	144	109
33060.W0489	12	45	14.5	47.6	26.3	10.6	39.7	16.7	12	144	113
33060.W0490	12	50	14.5	47.6	26.3	10.6	39.7	16.7	12	144	117
33060.W0492	12	60	14.5	47.6	26.3	10.6	39.7	16.7	12	144	126
33060.W0494	12	70	14.5	47.6	26.3	10.6	39.7	16.7	12	144	134
33060.W0496	12	80	14.5	47.6	26.3	10.6	39.7	16.7	12	144	143
33060.W0497	12	90	14.5	47.6	25.2	10.6	39.7	16.7	12	87	165
33060.W0498	12	100	14.5	47.6	25.2	10.6	39.7	16.7	12	87	173
33060.W0499	12	110	14.5	47.6	25.2	10.6	39.7	16.7	12	87	182
33060.W0500	12	120	14.5	47.6	25.2	10.6	39.7	16.7	12	87	96
33060.W0506	16	30	19.0	47.6	26.3	14.0	39.7	16.7	16	257	132
33060.W0507	16	35	19.0	47.6	26.3	14.0	39.7	16.7	16	257	140
33060.W0508	16	40	19.0	47.6	26.3	14.0	39.7	16.7	16	257	148
33060.W0509	16	45	19.0	47.6	26.3	14.0	39.7	16.7	16	257	155
33060.W0510	16	50	19.0	47.6	26.3	14.0	39.7	16.7	16	257	168
33060.W0512	16	60	19.0	47.6	26.3	14.0	39.7	16.7	16	257	178
33060.W0514	16	70	19.0	47.6	26.3	14.0	39.7	16.7	16	257	194
33060.W0516	16	80	19.0	47.6	26.3	14.0	39.7	16.7	16	257	208
33060.W0517	16	90	19.0	47.6	25.2	14.0	39.7	16.7	16	155	234
33060.W0518	16	100	19.0	47.6	25.2	14.0	39.7	16.7	16	155	251
33060.W0519	16	110	19.0	47.6	25.2	14.0	39.7	16.7	16	155	266
33060.W0520	16	120	19.0	47.6	25.2	14.0	39.7	16.7	16	155	281
33060.W0521	16	130	19.0	47.6	25.2	14.0	39.7	16.7	16	155	297
33060.W0522	16	140	19.0	47.6	25.2	14.0	39.7	16.7	16	155	313
33060.W0523	16	150	19.0	47.6	25.2	14.0	39.7	16.7	16	155	328
33060.W0531	20	50	25.0	57.1	33.8	20.5	50.7	21.5	20	403	329
33060.W0532	20	60	25.0	57.1	35.4	20.5	50.7	21.5	20	403	343
33060.W0533	20	70	25.0	57.1	33.8	20.5	50.7	21.5	20	403	377
33060.W0536	20	80	25.0	57.1	35.4	20.5	50.7	21.5	20	403	392
33060.W0537	20	90	25.0	57.1	33.8	20.5	50.7	21.5	20	403	426
33060.W0540	20	100	25.0	57.1	35.4	20.5	50.7	21.5	20	403	440
33060.W0541	20	110	25.0	57.1	33.8	20.5	50.7	21.5	20	403	474
33060.W0544	20	120	25.0	57.1	33.8	20.5	50.7	21.5	20	403	488
33060.W0545	20	130	25.0	57.1	33.8	20.5	50.7	21.5	20	403	523
33060.W0546	20	140	25.0	57.1	33.8	20.5	50.7	21.5	20	403	546
33060.W0547	20	150	25.0	57.1	33.8	20.5	50.7	21.5	20	403	571

BALL LOCK PINS & QUICK RELEASE PINS

Ball Lock Pins & Quick Release

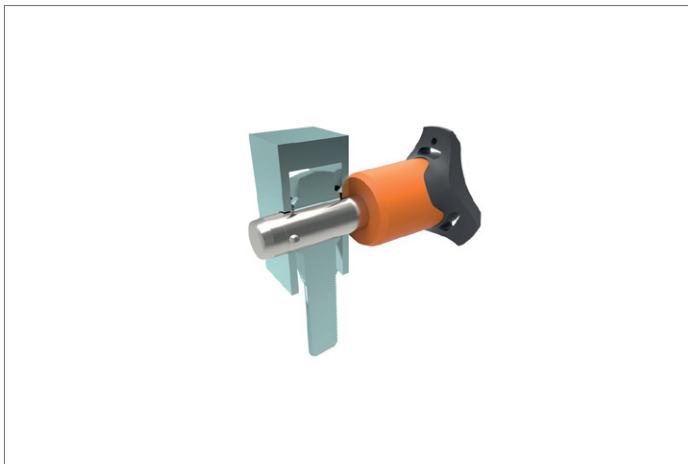
Ball Lock Pins - Single Acting - Blue

self-locking - stainless steel 1.4542 (AISI 630)



BALL LOCK PINS & QUICK RELEASE PINS

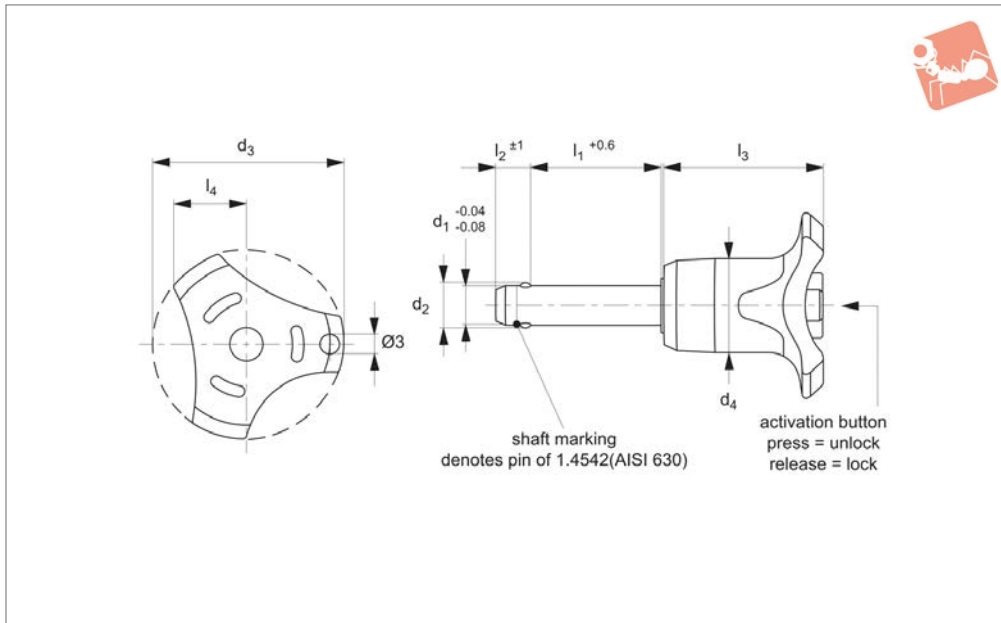
Order No.	d ₁	l ₁	d ₂	d ₃	d ₄	l ₂	l ₃	l ₄	Loc'n hole tol. H11	Shearing resistance, double kN min.	Weight g
33060.W0549	25	50	30.8	57.1	33.8	22.0	50.7	21.5	25	631	415
33060.W0550	25	60	30.8	57.1	33.8	22.0	50.7	21.5	25	631	453
33060.W0551	25	70	30.8	57.1	33.8	22.0	50.7	21.5	25	631	490
33060.W0552	25	80	30.8	57.1	33.8	22.0	50.7	21.5	25	631	528
33060.W0553	25	90	30.8	57.1	33.8	22.0	50.7	21.5	25	631	565
33060.W0554	25	100	30.8	57.1	33.8	22.0	50.7	21.5	25	631	603
33060.W0555	25	110	30.8	57.1	33.8	22.0	50.7	21.5	25	631	640
33060.W0556	25	120	30.8	57.1	33.8	22.0	50.7	21.5	25	631	678
33060.W0557	25	130	30.8	57.1	33.8	22.0	50.7	21.5	25	631	715
33060.W0558	25	140	30.8	57.1	33.8	22.0	50.7	21.5	25	631	753
33060.W0559	25	150	30.8	57.1	33.8	22.0	50.7	21.5	25	631	790





Ball Lock Pins - Single Acting - Grey self-locking - stainless steel 1.4542 (AISI 630)

Ball Lock Pins & Quick Release



33060.GR

BALL LOCK PINS & QUICK RELEASE PINS

Material

Pin: stainless steel 1,4542 (AISI 630), precipitation hardened, blast finish. (marked at end of shaft to denote 1.4542 material).

Ball: stainless steel 1.3541

Spring: stainless steel.

Handle: thermoplastic PA 6.

Available colours: grey/orange, grey/blue, grey/grey, black/black.

Technical Notes

Pressing = unlocking.

Releasing = locking.

Temperature resistance -30°C to +80°C.

For quick fastening and locking of frequently repeated connections.

Tips

For lanyards & retaining cables see part no.33250. Easy install locating bushes

available see part no.33248.

Important Notes

Extreme load capacity due to high material grade.

*Shearing resistance similar to DIN 50141.

Also available in stainless grade 1.4305 (AISI 303), see part no.33080.

Order No.	d_1	l_1	d_2	d_3	d_4	l_2	l_3	l_4	Loc'n hole tol. H11	Shearing resistance, double kN min.	Weight g
33060.W0292	5	10	5.5	33.2	14.5	6.0	26.7	10.8	5	24	15
33060.W0293	5	15	5.5	33.2	14.5	6.0	26.7	10.8	5	24	15
33060.W0294	5	20	5.5	33.2	14.5	6.0	26.7	10.8	5	24	16
33060.W0295	5	25	5.5	33.2	14.5	6.0	26.7	10.8	5	24	17
33060.W0296	5	30	5.5	33.2	14.5	6.0	26.7	10.8	5	24	18
33060.W0297	6	60	7.0	33.2	14.5	7.0	26.7	10.8	6	21	26
33060.W0298	6	70	7.0	33.2	14.5	7.0	26.7	10.8	6	21	28
33060.W0299	6	80	7.0	33.2	14.5	7.0	26.7	10.8	6	21	30
33060.W0285	5	35	5.5	33.3	14.5	6.0	26.7	10.8	5	14	19
33060.W0286	5	40	5.5	33.4	14.5	6.0	26.7	10.8	5	14	20
33060.W0287	5	45	5.5	33.5	14.5	6.0	26.7	10.8	5	14	21
33060.W0288	5	50	5.5	33.6	14.5	6.0	26.7	10.8	5	14	23
33060.W0289	5	60	5.5	33.7	14.5	6.0	26.7	10.8	5	14	24
33060.W0290	5	70	5.5	33.8	14.5	6.0	26.7	10.8	5	14	18
33060.W0291	5	80	5.5	33.9	14.5	6.0	26.7	10.8	5	14	19
33060.W0301	8	100	9.6	39.2	18.4	8.2	33.3	13.4	8	38	54
33060.W0302	6	10	7.0	33.2	14.5	7.0	26.7	10.8	6	35	16
33060.W0303	6	15	7.0	33.2	14.5	7.0	26.7	10.8	6	35	17
33060.W0304	6	20	7.0	33.2	14.5	7.0	26.7	10.8	6	35	18
33060.W0305	6	25	7.0	33.2	14.5	7.0	26.7	10.8	6	35	19
33060.W0306	6	30	7.0	33.2	14.5	7.0	26.7	10.8	6	35	20
33060.W0307	6	35	7.0	33.2	14.5	7.0	26.7	10.8	6	35	21
33060.W0308	6	40	7.0	33.2	14.5	7.0	26.7	10.8	6	35	22
33060.W0309	6	45	7.0	33.2	14.5	7.0	26.7	10.8	6	35	23
33060.W0310	6	50	7.0	33.2	14.5	7.0	26.7	10.8	6	35	24
33060.W0311	8	90	7.0	39.2	18.4	8.2	33.3	13.4	8	38	36

Ball Lock Pins & Quick Release

Ball Lock Pins - Single Acting - Grey

self-locking - stainless steel 1.4542 (AISI 630)



BALL LOCK PINS & QUICK RELEASE PINS

Order No.	d ₁	l ₁	d ₂	d ₃	d ₄	l ₂	l ₃	l ₄	Loc'n hole tol. H11	Shearing resistance, double kN min.	Weight g
33060.W0312	8	10	9.6	39.2	18.5	8.2	33.3	13.4	8	38	38
33060.W0313	8	15	9.6	39.2	18.5	8.2	33.3	13.4	8	38	58
33060.W0314	8	20	9.6	39.2	19.3	8.2	33.3	13.4	8	63	40
33060.W0315	8	25	9.6	39.2	19.3	8.2	33.3	13.4	8	63	42
33060.W0316	8	30	9.6	39.2	19.3	8.2	33.3	13.4	8	63	44
33060.W0317	8	35	9.6	39.2	19.3	8.2	33.3	13.4	8	63	46
33060.W0318	8	40	9.6	39.2	19.3	8.2	33.3	13.4	8	63	47
33060.W0319	8	45	9.6	39.2	19.3	8.2	33.3	13.4	8	63	49
33060.W0320	8	50	9.6	39.2	19.3	8.2	33.3	13.4	8	63	51
33060.W0321	8	50	9.6	39.2	19.3	8.2	33.3	13.4	8	63	51
33060.W0322	8	50	9.6	39.2	19.3	8.2	33.3	13.4	8	63	51
33060.W0323	8	80	9.6	39.2	18.4	8.2	33.3	13.4	8	38	69
33060.W0324	10	20	12.0	39.2	19.3	9.6	33.3	13.4	10	100	47
33060.W0325	10	25	12.0	39.2	19.3	9.6	33.3	13.4	10	100	49
33060.W0326	10	30	12.0	39.2	19.3	9.6	33.3	13.4	10	100	53
33060.W0327	10	35	12.0	39.2	19.3	9.6	33.3	13.4	10	100	55
33060.W0328	10	40	12.0	39.2	19.3	9.6	33.3	13.4	10	100	58
33060.W0329	10	45	12.0	39.2	19.3	9.6	33.3	13.4	10	100	61
33060.W0330	10	50	12.0	39.2	19.3	9.6	33.3	13.4	10	100	64
33060.W0331	10	15	12.0	39.2	18.4	9.6	33.3	13.4	10	60	86
33060.W0332	10	60	12.0	39.2	19.3	9.6	33.3	13.4	10	100	70
33060.W0333	10	91	12.0	39.2	18.4	9.6	33.3	13.4	10	60	70
33060.W0334	10	80	12.0	39.2	18.4	9.6	33.3	13.4	10	60	97
33060.W0335	10	90	12.0	39.2	18.4	9.6	33.3	13.4	10	60	103
33060.W0336	10	100	12.0	39.2	18.4	9.6	33.3	13.4	10	60	109
33060.W0337	10	110	12.0	39.2	18.4	9.6	33.3	13.4	10	60	115
33060.W0338	10	120	12.0	39.2	18.4	9.6	33.3	13.4	10	60	53
33060.W0339	12	20	14.5	47.6	25.2	10.6	39.7	16.7	12	87	156
33060.W0344	12	20	14.5	47.6	26.3	10.6	39.7	16.7	12	87	156
33060.W0345	12	25	14.5	47.6	26.3	10.6	39.7	16.7	12	144	96
33060.W0346	12	30	14.5	47.6	26.3	10.6	39.7	16.7	12	144	100
33060.W0347	12	35	14.5	47.6	26.3	10.6	39.7	16.7	12	144	105
33060.W0348	12	40	14.5	47.6	26.3	10.6	39.7	16.7	12	144	109
33060.W0349	12	45	14.5	47.6	26.3	10.6	39.7	16.7	12	144	113
33060.W0350	12	50	14.5	47.6	26.3	10.6	39.7	16.7	12	144	117
33060.W0352	12	60	14.5	47.6	26.3	10.6	39.7	16.7	12	144	126
33060.W0354	12	70	14.5	47.6	26.3	10.6	39.7	16.7	12	144	134
33060.W0356	12	80	14.5	47.6	26.3	10.6	39.7	16.7	12	144	143
33060.W0357	12	90	14.5	47.6	25.2	10.6	39.7	16.7	12	87	165
33060.W0358	12	100	14.5	47.6	25.2	10.6	39.7	16.7	12	87	173
33060.W0359	12	110	14.5	47.6	25.2	10.6	39.7	16.7	12	87	182
33060.W0360	12	120	14.5	47.6	25.2	10.6	39.7	16.7	12	87	96
33060.W0366	16	30	19.0	47.6	26.3	14.0	39.7	16.7	16	257	132
33060.W0367	16	35	19.0	47.6	26.3	14.0	39.7	16.7	16	257	140
33060.W0368	16	40	19.0	47.6	26.3	14.0	39.7	16.7	16	257	148
33060.W0369	16	45	19.0	47.6	26.3	14.0	39.7	16.7	16	257	155
33060.W0370	16	50	19.0	47.6	26.3	14.0	39.7	16.7	16	257	168
33060.W0372	16	60	19.0	47.6	26.3	14.0	39.7	16.7	16	257	178
33060.W0374	16	70	19.0	47.6	26.3	14.0	39.7	16.7	16	257	194
33060.W0376	16	80	19.0	47.6	26.3	14.0	39.7	16.7	16	257	208
33060.W0377	16	90	19.0	47.6	25.2	14.0	39.7	16.7	16	155	234
33060.W0378	16	100	19.0	47.6	25.2	14.0	39.7	16.7	16	155	251
33060.W0379	16	110	19.0	47.6	25.2	14.0	39.7	16.7	16	155	266
33060.W0380	16	120	19.0	47.6	25.2	14.0	39.7	16.7	16	155	281
33060.W0381	16	130	19.0	47.6	25.2	14.0	39.7	16.7	16	155	297
33060.W0382	16	140	19.0	47.6	25.2	14.0	39.7	16.7	16	155	313
33060.W0383	16	150	19.0	47.6	25.2	14.0	39.7	16.7	16	155	328
33060.W0391	20	50	25.0	57.1	33.8	20.5	50.7	21.5	20	403	329
33060.W0392	20	60	25.0	57.1	35.4	20.5	50.7	21.5	20	403	343
33060.W0393	20	90	25.0	57.1	33.8	20.5	50.7	21.5	20	403	377
33060.W0396	20	80	25.0	57.1	35.4	20.5	50.7	21.5	20	403	392
33060.W0397	20	90	25.0	57.1	33.8	20.5	50.7	21.5	20	403	426
33060.W0400	20	100	25.0	57.1	35.4	20.5	50.7	21.5	20	403	440
33060.W0401	20	110	25.0	57.1	33.8	20.5	50.7	21.5	20	403	474
33060.W0404	20	120	25.0	57.1	35.4	20.5	50.7	21.5	20	403	488
33060.W0405	20	130	25.0	57.1	33.8	20.5	50.7	21.5	20	403	523
33060.W0406	20	140	25.0	57.1	33.8	20.5	50.7	21.5	20	403	546



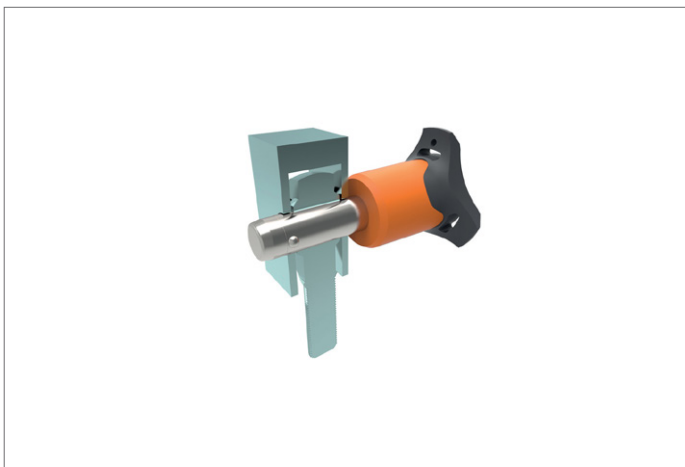
Ball Lock Pins - Single Acting - Grey

self-locking - stainless steel 1.4542 (AISI 630)

Ball Lock Pins & Quick Release



Order No.	d ₁	l ₁	d ₂	d ₃	d ₄	l ₂	l ₃	l ₄	Loc'n hole tol. H11	Shearing resistance, double kN min.	Weight g
33060.W0407	20	150	25.0	57.1	33.8	20.5	50.7	21.5	20	403	571
33060.W0409	25	50	30.8	57.1	33.8	22.0	50.7	21.5	25	631	415
33060.W0410	25	60	30.8	57.1	33.8	22.0	50.7	21.5	25	631	453
33060.W0411	25	70	30.8	57.1	33.8	22.0	50.7	21.5	25	631	490
33060.W0412	25	80	30.8	57.1	33.8	22.0	50.7	21.5	25	631	528
33060.W0413	25	90	30.8	57.1	33.8	22.0	50.7	21.5	25	631	565
33060.W0414	25	100	30.8	57.1	33.8	22.0	50.7	21.5	25	631	603
33060.W0415	25	110	30.8	57.1	33.8	22.0	50.7	21.5	25	631	640
33060.W0416	25	120	30.8	57.1	33.8	22.0	50.7	21.5	25	631	678
33060.W0417	25	130	30.8	57.1	33.8	22.0	50.7	21.5	25	631	715
33060.W0418	25	140	30.8	57.1	33.8	22.0	50.7	21.5	25	631	753
33060.W0419	25	150	30.8	57.1	33.8	22.0	50.7	21.5	25	631	790



BALL LOCK PINS & QUICK RELEASE PINS

Ball Lock Pins & Quick Release

Ball Lock Pins - Single Acting - Orange

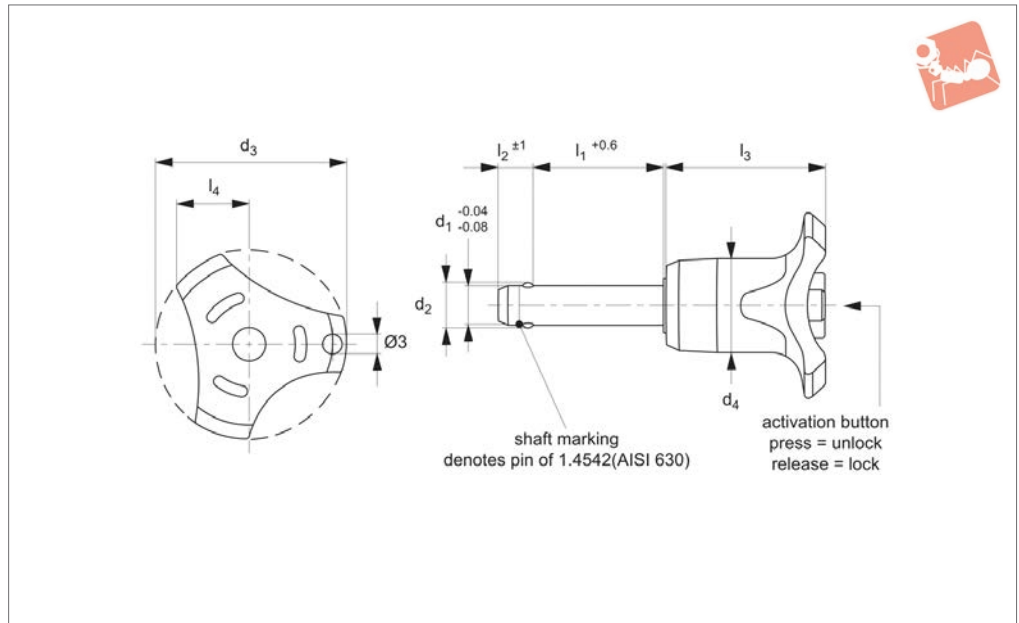
self-locking - stainless steel 1.4542 (AISI 630)



BALL LOCK PINS & QUICK RELEASE PINS



33060.OR



Material

Pin: stainless steel 1,4542 (AISI 630), precipitation hardened, blast finish. (marked at end of shaft to denote 1.4542 material).

Ball: stainless steel 1.3541

Spring: stainless steel.

Handle: thermoplastic PA 6.

Available colours: grey/orange, grey/blue, grey/grey, black/black.

Technical Notes

Pressing = unlocking.

Releasing = locking.

Temperature resistance -30°C to +80°C.

For quick fastening and locking of frequently repeated connections.

Tips

For lanyards & retaining cables see part no.33250. Easy install locating bushes

available see part no.33248.

Important Notes

Extreme load capacity due to high material grade.

*Shearing resistance similar to DIN 50141.

Also available in stainless grade 1.4305 (AISI 303), see part no.33080.

Order No.	d ₁	l ₁	d ₂	d ₃	d ₄	l ₂	l ₃	l ₄	Loc'n hole tol. H11	Shearing resistance, double kN min.	Weight g
33060.W0152	5	10	5.5	33.2	14.5	6.0	26.7	10.8	5	24	15
33060.W0153	5	15	5.5	33.2	14.5	6.0	26.7	10.8	5	24	15
33060.W0154	5	20	5.5	33.2	14.5	6.0	26.7	10.8	5	24	16
33060.W0155	5	25	5.5	33.2	14.5	6.0	26.7	10.8	5	24	17
33060.W0156	5	30	5.5	33.2	14.5	6.0	26.7	10.8	5	24	18
33060.W0157	6	60	7.0	33.2	14.5	7.0	26.7	10.8	6	21	26
33060.W0158	6	70	7.0	33.2	14.5	7.0	26.7	10.8	6	21	28
33060.W0159	6	80	7.0	33.2	14.5	7.0	26.7	10.8	6	21	30
33060.W0145	5	35	5.5	33.2	14.5	6.0	26.7	10.8	5	14	19
33060.W0146	5	40	5.5	33.2	14.5	6.0	26.7	10.8	5	14	20
33060.W0147	5	45	5.5	33.2	14.5	6.0	26.7	10.8	5	14	21
33060.W0148	5	50	5.5	33.2	14.5	6.0	26.7	10.8	5	14	23
33060.W0149	5	60	5.5	33.2	14.5	6.0	26.7	10.8	5	14	24
33060.W0150	5	70	5.5	33.2	14.5	6.0	26.7	10.8	5	14	18
33060.W0151	5	80	5.5	33.2	14.5	6.0	26.7	10.8	5	14	19
33060.W0161	8	100	9.6	39.2	18.4	8.2	33.3	13.4	8	38	54
33060.W0162	6	10	7.0	33.2	14.5	7.0	26.7	10.8	6	35	16
33060.W0163	6	15	7.0	33.2	14.5	7.0	26.7	10.8	6	35	17
33060.W0164	6	20	7.0	33.2	14.5	7.0	26.7	10.8	6	35	18
33060.W0165	6	25	7.0	33.2	14.5	7.0	26.7	10.8	6	35	19
33060.W0166	6	30	7.0	33.2	14.5	7.0	26.7	10.8	6	35	20
33060.W0167	6	35	7.0	33.2	14.5	7.0	26.7	10.8	6	35	21
33060.W0168	6	40	7.0	33.2	14.5	7.0	26.7	10.8	6	35	22
33060.W0169	6	45	7.0	33.2	14.5	7.0	26.7	10.8	6	35	23
33060.W0170	6	50	7.0	33.2	14.5	7.0	26.7	10.8	6	35	24
33060.W0171	8	90	9.6	39.2	18.4	8.2	33.3	13.4	8	38	36



Ball Lock Pins - Single Acting - Orange

self-locking - stainless steel 1.4542 (AISI 630)

Ball Lock Pins & Quick Release



Order No.	d ₁	l ₁	d ₂	d ₃	d ₄	l ₂	l ₃	l ₄	Loc'n hole tol. H11	Shearing resistance, double kN min.	Weight g
33060.W0172	8	10	9.6	39.2	18.4	8.2	33.3	13.4	8	38	38
33060.W0173	8	15	9.6	39.2	18.4	8.2	33.3	13.4	8	38	58
33060.W0174	8	20	9.6	39.2	19.3	8.2	33.3	13.4	8	63	40
33060.W0175	8	25	9.6	39.2	19.3	8.2	33.3	13.4	8	63	42
33060.W0176	8	30	9.6	39.2	19.3	8.2	33.3	13.4	8	63	44
33060.W0177	8	35	9.6	39.2	19.3	8.2	33.3	13.4	8	63	46
33060.W0178	8	40	9.6	39.2	19.3	8.2	33.3	13.4	8	63	47
33060.W0179	8	45	9.6	39.2	19.3	8.2	33.3	13.4	8	63	49
33060.W0180	8	50	9.6	39.2	19.3	8.2	33.3	13.4	8	63	51
33060.W0181	8	60	9.6	39.2	18.4	8.2	33.3	13.4	8	38	62
33060.W0182	8	70	9.6	39.2	18.4	8.2	33.3	13.4	8	38	65
33060.W0183	8	80	9.6	39.2	18.4	8.2	33.3	13.4	8	38	69
33060.W0184	10	20	12.0	39.2	19.3	9.6	33.3	13.4	10	100	47
33060.W0185	10	25	12.0	39.2	19.3	9.6	33.3	13.4	10	100	49
33060.W0186	10	30	12.0	39.2	19.3	9.6	33.3	13.4	10	100	53
33060.W0187	10	35	12.0	39.2	19.3	9.6	33.3	13.4	10	100	55
33060.W0188	10	40	12.0	39.2	19.3	9.6	33.3	13.4	10	100	58
33060.W0189	10	45	12.0	39.2	19.3	9.6	33.3	13.4	10	100	61
33060.W0190	10	50	12.0	39.2	19.3	9.6	33.3	13.4	10	100	64
33060.W0191	10	15	12.0	39.2	18.4	9.6	33.3	13.4	10	60	86
33060.W0192	10	60	12.0	39.2	19.3	9.6	33.3	13.4	10	100	70
33060.W0193	10	70	12.0	39.2	18.4	9.6	33.3	13.4	10	60	70
33060.W0194	10	80	12.0	39.2	18.4	9.6	33.3	13.4	10	60	97
33060.W0195	10	90	12.0	39.2	18.4	9.6	33.3	13.4	10	60	103
33060.W0196	10	100	12.0	39.2	18.4	9.6	33.3	13.4	10	60	109
33060.W0197	10	110	12.0	39.2	18.4	9.6	33.3	13.4	10	60	115
33060.W0198	10	120	12.0	39.2	18.4	9.6	33.3	13.4	10	60	53
33060.W0204	12	20	14.5	47.6	25.2	10.6	39.7	16.7	12	87	156
33060.W0205	12	25	14.5	47.6	26.3	10.6	39.7	16.7	12	144	96
33060.W0206	12	30	14.5	47.6	26.3	10.6	39.7	16.7	12	144	100
33060.W0207	12	35	14.5	47.6	26.3	10.6	39.7	16.7	12	144	105
33060.W0208	12	40	14.5	47.6	26.3	10.6	39.7	16.7	12	144	109
33060.W0209	12	45	14.5	47.6	26.3	10.6	39.7	16.7	12	144	113
33060.W0210	12	50	14.5	47.6	26.3	10.6	39.7	16.7	12	144	117
33060.W0212	12	60	14.5	47.6	26.3	10.6	39.7	16.7	12	144	126
33060.W0214	12	70	14.5	47.6	26.3	10.6	39.7	16.7	12	144	134
33060.W0216	12	80	14.5	47.6	26.3	10.6	39.7	16.7	12	144	143
33060.W0217	12	90	14.5	47.6	25.2	10.6	39.7	16.7	12	87	165
33060.W0218	12	100	14.5	47.6	25.2	10.6	39.7	16.7	12	87	173
33060.W0219	12	110	14.5	47.6	25.2	10.6	39.7	16.7	12	87	182
33060.W0220	12	120	14.5	47.6	25.2	10.6	39.7	16.7	12	87	177
33060.W0226	16	30	19.0	47.6	26.3	14.0	39.7	16.7	16	257	132
33060.W0227	16	35	19.0	47.6	26.3	14.0	39.7	16.7	16	257	140
33060.W0228	16	40	19.0	47.6	26.3	14.0	39.7	16.7	16	257	148
33060.W0229	16	45	19.0	47.6	26.3	14.0	39.7	16.7	16	257	155
33060.W0230	16	50	19.0	47.6	26.3	14.0	39.7	16.7	16	257	168
33060.W0232	16	60	19.0	47.6	26.3	14.0	39.7	16.7	16	257	178
33060.W0234	16	70	19.0	47.6	26.3	14.0	39.7	16.7	16	257	194
33060.W0236	16	80	19.0	47.6	26.3	14.0	39.7	16.7	16	257	208
33060.W0237	16	90	19.0	47.6	25.2	14.0	39.7	16.7	16	155	234
33060.W0238	16	100	19.0	47.6	25.2	14.0	39.7	16.7	16	155	151
33060.W0239	16	110	19.0	47.6	25.2	14.0	39.7	16.7	16	155	266
33060.W0240	16	120	19.0	47.6	25.2	14.0	39.7	16.7	16	155	281
33060.W0241	16	130	19.0	47.6	25.2	14.0	39.7	16.7	16	155	297
33060.W0242	16	140	19.0	47.6	25.2	14.0	39.7	16.7	16	155	313
33060.W0243	16	150	19.0	47.6	25.2	14.0	39.7	16.7	16	155	328
33060.W0251	20	50	25.0	57.1	33.8	20.5	50.7	21.5	20	403	329
33060.W0252	20	60	25.0	57.1	35.4	20.5	50.7	21.5	20	403	343
33060.W0253	20	70	25.0	57.1	33.8	20.5	50.7	21.5	20	403	377
33060.W0256	20	80	25.0	57.1	35.4	20.5	50.7	21.5	20	403	392
33060.W0257	20	90	25.0	57.1	33.8	20.5	50.7	21.5	20	403	426
33060.W0260	20	100	25.0	57.1	35.4	20.5	50.7	21.5	20	403	440
33060.W0261	20	110	25.0	57.1	33.5	20.5	50.7	21.5	20	403	474
33060.W0264	20	120	25.0	57.1	35.4	20.5	50.7	21.5	20	403	488
33060.W0265	20	130	25.0	57.1	33.8	20.5	50.7	21.5	20	403	523
33060.W0266	20	140	25.0	57.1	33.8	20.5	50.7	21.5	20	403	546
33060.W0267	20	150	25.0	57.1	33.8	20.5	50.7	21.5	20	403	571

BALL LOCK PINS & QUICK RELEASE PINS

Ball Lock Pins & Quick Release

Ball Lock Pins - Single Acting - Orange

self-locking - stainless steel 1.4542 (AISI 630)



BALL LOCK PINS & QUICK RELEASE PINS

Order No.	d ₁	l ₁	d ₂	d ₃	d ₄	l ₂	l ₃	l ₄	Loc'n hole tol. H11	Shearing resistance, double kN min.	Weight g
33060.W0269	25	50	30.8	57.1	33.8	22.0	50.7	21.5	25	631	415
33060.W0270	25	60	30.8	57.1	33.8	22.0	50.7	21.5	25	631	453
33060.W0271	25	70	30.8	57.1	33.8	22.0	50.7	21.5	25	631	490
33060.W0272	25	80	30.8	57.1	33.8	22.0	50.7	21.5	25	631	528
33060.W0273	25	90	30.8	57.1	33.8	22.0	50.7	21.5	25	631	565
33060.W0274	25	100	30.8	57.1	33.8	22.0	50.7	21.5	25	631	603
33060.W0275	25	110	30.8	57.1	33.8	22.0	50.7	21.5	25	631	640
33060.W0276	25	120	30.8	57.1	33.8	22.0	50.7	21.5	25	631	678
33060.W0277	25	130	30.8	57.1	33.8	22.0	50.7	21.5	25	631	715
33060.W0278	25	140	30.8	57.1	33.8	22.0	50.7	21.5	25	631	753
33060.W0279	25	150	30.8	57.1	33.8	22.0	50.7	21.5	25	631	790

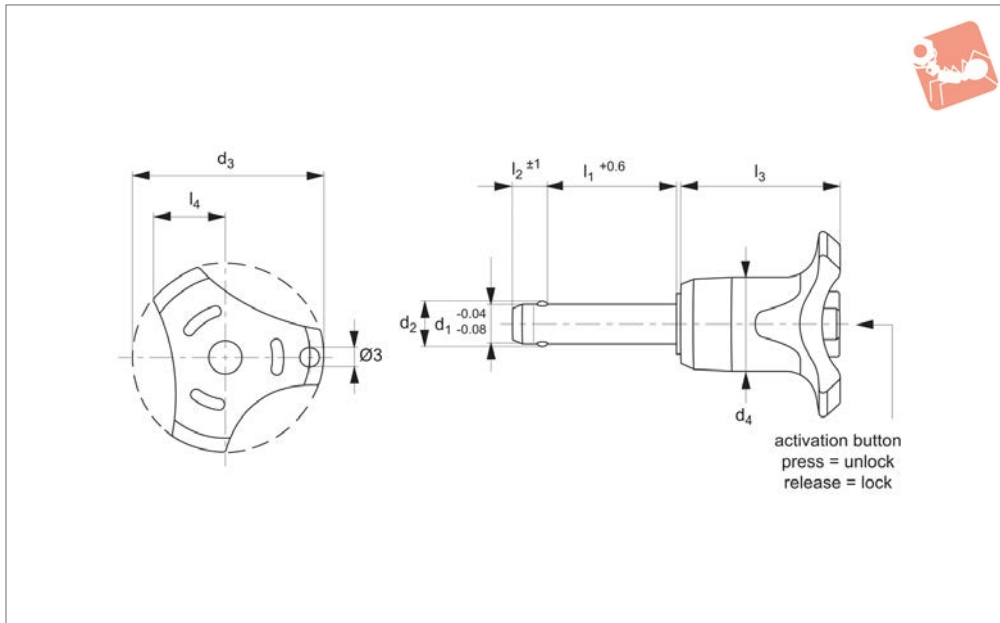




Ball Lock Pins - Single Acting - Black

self-locking - stainless steel 1.4305 (AISI 303)

Ball Lock Pins & Quick Release



33080.BK

BALL LOCK PINS & QUICK RELEASE PINS

Material

Pin: stainless steel 1.4542 (AISI 630)
 Ball: stainless steel 1.3541
 Spring: stainless steel.
 Handle: thermoplastic PA 6.
 Available colours: grey/orange, grey/blue,
 grey/grey.

Technical Notes

Pressing = unlocking.

Releasing = locking.

Temperature resistance -30°C to +80°C.
 For quick fastening and locking of
 frequently repeated connections.

Tips

For lanyards & retaining cables see part
 no.33250-33261. Easy install locating
 bushes available see part no.33248 +
 33246.

Important Notes

*Shearing resistance similar to DIN 50141.
 Also available in stainless grade 1.4542
 (AISI 630) for higher shear forces, see part
 no.33060.

Order No.	d ₁	l ₁	d ₂	d ₃	d ₄	l ₂	l ₃	l ₄	Loc'n hole tol. H11	Shearing resistance, double kN min.	Weight g
33080.W0812	5	10	5.5	33.2	14.5	6.0	26.7	10.8	5	14	15
33080.W0813	5	15	5.5	33.2	14.5	6.0	26.7	10.8	5	14	15
33080.W0814	5	20	5.5	33.2	14.5	6.0	26.7	10.8	5	14	16
33080.W0815	5	20	5.5	33.2	14.5	6.0	26.7	10.8	5	14	16
33080.W0816	5	30	5.5	33.2	14.5	6.0	26.7	10.8	5	14	18
33080.W0817	6	60	7.0	33.2	14.5	7.0	26.7	10.8	6	21	26
33080.W0818	6	70	7.0	33.2	14.5	7.0	26.7	10.8	6	21	28
33080.W0819	6	80	7.0	33.2	14.5	7.0	26.7	10.8	6	21	30
33080.W0832	8	10	9.6	39.2	18.4	8.2	33.3	13.4	8	38	38
33080.W0833	8	15	9.6	39.2	18.4	8.2	33.3	13.4	8	38	58
33080.W0805	5	35	5.5	33.2	14.5	6.0	26.7	10.8	5	14	19
33080.W0806	5	40	5.5	33.2	14.5	6.0	26.7	10.8	5	14	20
33080.W0807	5	45	5.5	33.2	14.5	6.0	26.7	10.8	5	14	21
33080.W0808	5	50	5.5	33.2	14.5	6.0	26.7	10.8	5	14	23
33080.W0809	5	60	5.5	33.2	14.5	6.0	26.7	10.8	5	14	24
33080.W0810	5	70	5.5	33.2	14.5	6.0	26.7	10.8	5	14	18
33080.W0811	5	80	5.5	33.2	14.5	6.0	26.7	10.8	5	14	19
33080.W0822	6	10	7.0	33.2	14.5	7.0	26.7	10.8	6	21	16
33080.W0823	6	15	7.0	33.2	14.5	7.0	26.7	10.8	6	21	17
33080.W0824	6	20	7.0	33.2	14.5	7.0	26.7	10.8	6	21	18
33080.W0825	6	25	7.0	33.2	14.5	7.0	26.7	10.8	6	21	19
33080.W0826	6	30	7.0	33.2	14.5	7.0	26.7	10.8	6	21	20
33080.W0827	6	35	7.0	33.2	14.5	7.0	26.7	10.8	6	21	21
33080.W0828	6	35	7.0	33.2	14.5	7.0	26.7	10.8	6	21	21
33080.W0829	6	45	7.0	33.2	14.5	7.0	26.7	10.8	6	21	23
33080.W0830	6	50	7.0	33.2	14.5	7.0	26.7	10.8	6	21	24
33080.W0834	8	20	9.6	39.2	19.3	8.2	33.3	13.4	8	38	40

Ball Lock Pins & Quick Release

Ball Lock Pins - Single Acting - Black

self-locking - stainless steel 1.4305 (AISI 303)



BALL LOCK PINS & QUICK RELEASE PINS

Order No.	d ₁	l ₁	d ₂	d ₃	d ₄	l ₂	l ₃	l ₄	Loc'n hole tol. H11	Shearing resistance, double kN min.	Weight g
33080.W0835	8	25	9.6	39.2	19.3	8.2	33.3	13.4	8	38	42
33080.W0836	8	30	9.6	39.2	19.3	8.2	33.3	13.4	8	38	44
33080.W0837	8	35	9.6	39.2	19.3	8.2	33.3	13.4	8	38	46
33080.W0838	8	40	9.6	39.2	19.3	8.2	33.3	13.4	8	38	47
33080.W0839	8	45	9.6	39.2	19.3	8.2	33.3	13.4	8	38	49
33080.W0840	8	50	9.6	39.2	19.3	8.2	33.3	13.4	8	38	51
33080.W0841	8	60	9.6	39.2	18.4	8.2	33.3	13.4	8	38	62
33080.W0842	8	70	9.6	39.2	18.4	8.2	33.3	13.4	8	38	65
33080.W0843	8	80	9.6	39.2	18.4	8.2	33.3	13.4	8	38	69
33080.W0831	8	90	9.6	39.2	18.4	8.2	33.3	13.4	8	38	36
33080.W0821	8	100	9.6	39.2	18.4	8.2	33.3	13.4	8	38	54
33080.W0851	10	15	12.0	39.2	18.4	9.6	33.3	13.4	10	60	86
33080.W0844	10	20	12.0	39.2	19.3	9.6	33.3	13.4	10	60	47
33080.W0845	10	25	12.0	39.2	19.3	9.6	33.3	13.4	10	60	49
33080.W0846	10	30	12.0	39.2	19.3	9.6	33.3	13.4	10	60	53
33080.W0847	10	35	12.0	39.2	19.3	9.6	33.3	13.4	10	60	55
33080.W0848	10	40	12.0	39.2	19.3	9.6	33.3	13.4	10	60	58
33080.W0849	10	45	12.0	39.2	19.3	9.6	33.3	13.4	10	60	61
33080.W0850	10	50	12.0	39.2	19.3	9.6	33.3	13.4	10	60	64
33080.W0852	10	60	12.0	39.2	19.3	9.6	33.3	13.4	10	60	70
33080.W0853	10	70	12.0	39.2	18.4	9.6	33.3	13.4	10	60	91
33080.W0854	10	80	12.0	39.2	18.4	9.6	33.3	13.4	10	60	97
33080.W0855	10	90	12.0	39.2	18.4	9.6	33.3	13.4	10	60	103
33080.W0856	10	100	12.0	39.2	18.4	9.6	33.3	13.4	10	60	109
33080.W0857	10	110	12.0	39.2	18.4	9.6	33.3	13.4	10	60	115
33080.W0858	10	120	12.0	39.2	18.4	9.6	33.3	13.4	10	60	53
33080.W0864	12	20	14.5	47.6	25.2	10.6	39.7	16.7	12	87	156
33080.W0866	12	30	14.5	47.6	25.2	10.6	39.7	16.7	12	87	100
33080.W0865	12	25	14.5	47.6	26.3	10.6	39.7	16.7	12	87	96
33080.W0867	12	35	14.5	47.6	26.3	10.6	39.7	16.7	12	87	105
33080.W0868	12	40	14.5	47.6	26.3	10.6	39.7	16.7	12	87	109
33080.W0869	12	45	14.5	47.6	26.3	10.6	39.7	16.7	12	87	113
33080.W0870	12	50	14.5	47.6	26.3	10.6	39.7	16.7	12	87	117
33080.W0872	12	60	14.5	47.6	26.3	10.6	39.7	16.7	12	87	126
33080.W0874	12	70	14.5	47.6	26.3	10.6	39.7	16.7	12	87	134
33080.W0876	12	80	14.5	47.6	26.3	10.6	39.7	16.7	12	87	143
33080.W0877	12	90	14.5	47.6	25.2	10.6	39.7	16.7	12	87	165
33080.W0878	12	100	14.5	47.6	25.2	10.6	39.7	16.7	12	87	173
33080.W0879	12	110	14.5	47.6	25.2	10.6	39.7	16.7	12	87	182
33080.W0880	12	120	14.5	47.6	25.2	10.6	39.7	16.7	12	87	96
33080.W0886	16	30	19.0	47.6	26.3	14.0	39.7	16.7	16	155	132
33080.W0887	16	35	19.0	47.6	26.3	14.0	39.7	16.7	16	155	140
33080.W0888	16	40	19.0	47.6	26.3	14.0	39.7	16.7	16	155	148
33080.W0889	16	45	19.0	47.6	26.3	14.0	39.7	16.7	16	155	155
33080.W0890	16	50	19.0	47.6	26.3	14.0	39.7	16.7	16	155	168
33080.W0892	16	60	19.0	47.6	26.3	14.0	39.7	16.7	16	155	178
33080.W0894	16	70	19.0	47.6	26.3	14.0	39.7	16.7	16	155	194
33080.W0896	16	80	19.0	47.6	26.3	14.0	39.7	16.7	16	155	208
33080.W0897	16	90	19.0	47.6	25.2	14.0	39.7	16.7	16	155	234
33080.W0898	16	100	19.0	47.6	25.2	14.0	39.7	16.7	16	155	251
33080.W0899	16	110	19.0	47.6	25.2	14.0	39.7	16.7	16	155	266
33080.W0900	16	120	19.0	47.6	25.2	14.0	39.7	16.7	16	155	281
33080.W0901	16	130	19.0	47.6	25.2	14.0	39.7	16.7	16	155	297
33080.W0902	16	140	19.0	47.6	25.2	14.0	39.7	16.7	16	155	313
33080.W0903	16	150	19.0	47.6	25.2	14.0	39.7	16.7	16	155	328
33080.W0905	20	50	25.0	57.1	33.8	20.5	50.7	21.5	20	244	329
33080.W0906	20	70	25.0	57.1	33.8	20.5	50.7	21.5	20	244	377
33080.W0909	20	90	25.0	57.1	33.8	20.5	50.7	21.5	20	244	426
33080.W0913	20	110	25.0	57.1	33.8	20.5	50.7	21.5	20	244	474
33080.W0904	20	60	25.0	57.1	35.4	20.5	50.7	21.5	20	244	343
33080.W0908	20	80	25.0	57.1	35.4	20.5	50.7	21.5	20	244	392
33080.W0912	20	100	25.0	57.1	35.4	20.5	50.7	21.5	20	244	440
33080.W0916	20	120	25.0	57.1	35.4	20.5	50.7	21.5	20	244	488
33080.W0917	20	130	25.0	57.1	33.8	20.5	50.7	21.5	20	244	523
33080.W0918	20	140	25.0	57.1	33.8	20.5	50.7	21.5	20	244	546
33080.W0919	20	150	25.0	57.1	33.8	20.5	50.7	21.5	20	244	571
33080.W0921	25	50	30.8	57.1	33.8	22.0	50.7	21.5	25	386	415



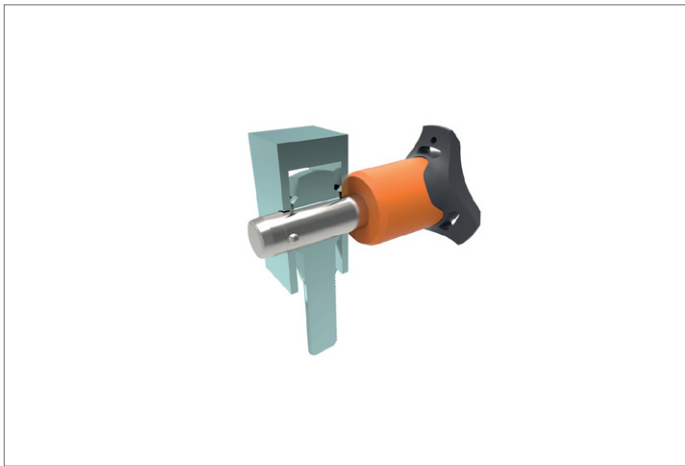
Ball Lock Pins - Single Acting - Black

self-locking - stainless steel 1.4305 (AISI 303)

Ball Lock Pins & Quick Release



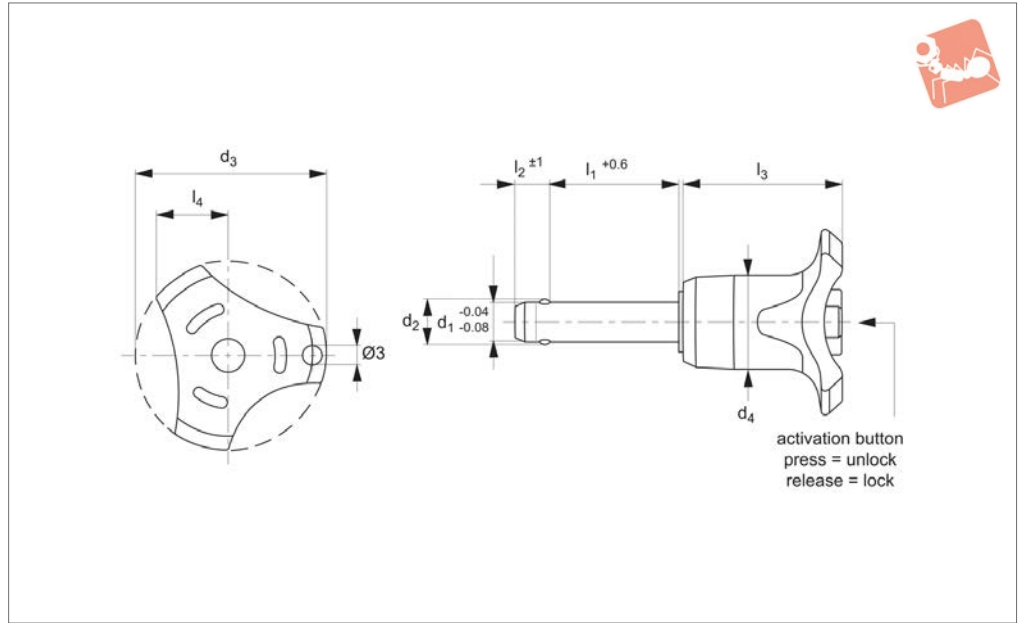
Order No.	d ₁	l ₁	d ₂	d ₃	d ₄	l ₂	l ₃	l ₄	Loc'n hole tol. H11	Shearing resistance, double kN min.	Weight g
33080.W0922	25	60	30.8	57.1	33.8	22.0	50.7	21.5	25	386	453
33080.W0923	25	70	30.8	57.1	33.8	22.0	50.7	21.5	25	386	490
33080.W0924	25	80	30.8	57.1	33.8	22.0	50.7	21.5	25	386	528
33080.W0925	25	90	30.8	57.1	33.8	22.0	50.7	21.5	25	386	565
33080.W0926	25	100	30.8	57.1	33.8	22.0	50.7	21.5	25	386	603
33080.W0927	25	110	30.8	57.1	33.8	22.0	50.7	21.5	25	386	640
33080.W0928	25	120	30.8	57.1	33.8	22.0	50.7	21.5	25	386	690
33080.W0929	25	130	30.8	57.1	33.8	22.0	50.7	21.5	25	386	715
33080.W0930	25	140	30.8	57.1	33.8	22.0	50.7	21.5	25	386	753
33080.W0931	25	150	30.8	57.1	33.8	22.0	50.7	21.5	25	386	790



BALL LOCK PINS & QUICK RELEASE PINS



33080.BU



Material

Pin: stainless steel 1.4542 (AISI 630)
 Ball: stainless steel 1.3541
 Spring: stainless steel.
 Handle: thermoplastic PA 6.
 Available colours: grey/orange, grey/blue, grey/grey.

Technical Notes

Pressing = unlocking.

Releasing = locking.

Temperature resistance -30°C to +80°C.
 For quick fastening and locking of frequently repeated connections.

Tips

For lanyards & retaining cables see part no.33250-33261. Easy install locating bushes available see part no.33248 + 33246.

Important Notes

*Shearing resistance similar to DIN 50141.
 Also available in stainless grade 1.4542 (AISI 630) for higher shear forces, see part no.33060.

Order No.	d ₁	l ₁	d ₂	d ₃	d ₄	l ₂	l ₃	l ₄	Loc'n hole tol. H11	Shearing resistance, double kN min.	Weight g
33080.W0432	5	10	5.5	33.2	14.5	6.0	26.7	10.8	5	14	15
33080.W0433	5	15	5.5	33.2	14.5	6.0	26.7	10.8	5	14	15
33080.W0434	5	20	5.5	33.2	14.5	6.0	26.7	10.8	5	14	16
33080.W0435	5	25	5.5	33.2	14.5	6.0	26.7	10.8	5	14	17
33080.W0436	5	30	5.5	33.2	14.5	6.0	26.7	10.8	5	14	18
33080.W0437	6	60	7.0	33.2	14.5	7.0	26.7	10.8	6	21	26
33080.W0438	6	70	7.0	33.2	14.5	7.0	26.7	10.8	6	21	28
33080.W0439	6	80	7.0	33.2	14.5	7.0	26.7	10.8	6	21	30
33080.W0425	5	35	5.5	33.2	14.5	6.0	26.7	10.8	5	14	19
33080.W0426	5	40	5.5	33.2	14.5	6.0	26.7	10.8	5	14	20
33080.W0427	5	45	5.5	33.2	14.5	6.0	26.7	10.8	5	14	21
33080.W0428	5	50	5.5	33.2	14.5	6.0	26.7	10.8	5	14	23
33080.W0429	5	60	5.5	33.2	14.5	6.0	26.7	10.8	5	14	24
33080.W0430	5	70	5.5	33.2	14.5	6.0	26.7	10.8	5	14	18
33080.W0431	5	80	5.5	33.2	14.5	6.0	26.7	10.8	5	14	19
33080.W0442	6	10	7.0	33.2	14.5	7.0	26.7	10.8	6	21	16
33080.W0443	6	15	7.0	33.2	14.5	7.0	26.7	10.8	6	21	17
33080.W0444	6	20	7.0	33.2	14.5	7.0	26.7	10.8	6	21	18
33080.W0445	6	25	7.0	33.2	14.5	7.0	26.7	10.8	6	21	19
33080.W0446	6	30	7.0	33.2	14.5	7.0	26.7	10.8	6	21	20
33080.W0447	6	35	7.0	33.2	14.5	7.0	26.7	10.8	6	21	21
33080.W0448	6	40	7.0	33.2	14.5	7.0	26.7	10.8	6	21	22
33080.W0449	6	45	7.0	33.2	14.5	7.0	26.7	10.8	6	21	23
33080.W0450	6	50	7.0	33.2	14.5	7.0	26.7	10.8	6	21	24
33080.W0452	8	10	9.6	39.2	18.4	8.2	33.3	13.4	8	38	38
33080.W0453	8	15	9.6	39.2	18.4	8.2	33.3	13.4	8	38	58
33080.W0454	8	20	9.6	39.2	19.3	8.2	33.3	13.4	8	38	40



Ball Lock Pins - Single Acting - Blue

self-locking - stainless steel 1.4305 (AISI 303)

Ball Lock Pins & Quick Release



Order No.	d ₁	l ₁	d ₂	d ₃	d ₄	l ₂	l ₃	l ₄	Loc'n hole tol. H11	Shearing resistance, double kN min.	Weight g
33080.W0455	8	25	9.6	39.2	19.3	8.2	33.3	13.4	8	38	42
33080.W0456	8	30	9.6	39.2	19.3	8.2	33.3	13.4	8	38	44
33080.W0457	8	35	9.6	39.2	19.3	8.2	33.3	13.4	8	38	46
33080.W0458	8	40	9.6	39.2	19.3	8.2	33.3	13.4	8	38	47
33080.W0459	8	45	9.6	39.2	19.3	8.2	33.3	13.4	8	38	49
33080.W0460	8	50	9.6	39.2	19.3	8.2	33.3	13.4	8	38	51
33080.W0461	8	60	9.6	39.2	18.4	8.2	33.3	13.4	8	38	62
33080.W0462	8	70	9.6	39.2	18.4	8.2	33.3	13.4	8	38	65
33080.W0463	8	80	9.6	39.2	18.4	8.2	33.3	13.4	8	38	69
33080.W0451	8	90	9.6	39.2	18.4	8.2	33.3	13.4	8	38	36
33080.W0441	8	100	9.6	39.2	18.4	8.2	33.3	13.4	8	38	54
33080.W0464	10	20	12.0	39.2	19.3	9.6	33.3	13.4	10	60	47
33080.W0465	10	25	12.0	39.2	19.3	9.6	33.3	13.4	10	60	49
33080.W0466	10	30	12.0	39.2	19.3	9.6	33.3	13.4	10	60	53
33080.W0467	10	35	12.0	39.2	19.3	9.6	33.3	13.4	10	60	55
33080.W0468	10	40	12.0	39.2	19.3	9.6	33.3	13.4	10	60	58
33080.W0469	10	45	12.0	39.2	19.3	9.6	33.3	13.4	10	60	61
33080.W0470	10	50	12.0	39.2	19.3	9.6	33.3	13.4	10	60	64
33080.W0471	10	15	12.0	39.2	18.4	9.6	33.3	13.4	10	60	86
33080.W0473	10	70	12.0	39.2	18.4	9.6	33.3	13.4	10	60	91
33080.W0474	10	80	12.0	39.2	18.4	9.6	33.3	13.4	10	60	97
33080.W0475	10	90	12.0	39.2	18.4	9.6	33.3	13.4	10	60	103
33080.W0476	10	100	12.0	39.2	18.4	9.6	33.3	13.4	10	60	109
33080.W0477	10	110	12.0	39.2	18.4	9.6	33.3	13.4	10	60	115
33080.W0478	10	120	12.0	39.2	18.4	9.6	33.3	13.4	10	60	53
33080.W0484	12	20	14.5	47.0	25.2	10.6	39.7	16.7	12	87	156
33080.W0472	10	60	12.0	39.2	19.3	9.6	33.3	13.4	10	60	70
33080.W0485	12	25	14.5	47.6	26.3	10.6	39.7	16.7	12	87	96
33080.W0486	12	30	14.5	47.6	26.3	10.6	39.7	16.7	12	87	100
33080.W0487	12	35	14.5	47.6	26.3	10.6	39.7	16.7	12	87	105
33080.W0488	12	40	14.5	47.6	26.3	10.6	39.7	16.7	12	87	109
33080.W0489	12	45	14.5	47.6	26.3	10.6	39.7	16.7	12	87	113
33080.W0490	12	50	14.5	47.6	26.3	10.6	39.7	16.7	12	87	117
33080.W0492	12	60	14.5	47.6	26.3	10.6	39.7	16.7	12	87	126
33080.W0494	12	70	14.5	47.6	26.3	10.6	39.7	16.7	12	87	134
33080.W0496	12	80	14.5	47.6	26.3	10.6	39.7	16.7	12	87	143
33080.W0497	12	90	14.5	47.6	25.2	10.6	39.7	16.7	12	87	165
33080.W0498	12	100	14.5	47.6	25.2	10.6	39.7	16.7	12	87	173
33080.W0499	12	110	14.5	47.6	25.2	10.6	39.7	16.7	12	87	182
33080.W0500	12	120	14.5	47.6	25.2	10.6	39.7	16.7	12	87	96
33080.W0506	16	30	19.0	47.6	26.3	14.0	39.7	16.7	16	155	132
33080.W0507	16	35	19.0	47.6	26.3	14.0	39.7	16.7	16	155	140
33080.W0508	16	40	19.0	47.6	26.3	14.0	39.7	16.7	16	155	148
33080.W0509	16	45	19.0	47.6	26.3	14.0	39.7	16.7	16	155	155
33080.W0510	16	50	19.0	47.6	26.3	14.0	39.7	16.7	16	155	168
33080.W0512	16	60	19.0	47.6	26.3	14.0	39.7	16.7	16	155	178
33080.W0514	16	70	19.0	47.6	26.3	14.0	39.7	16.7	16	155	194
33080.W0516	16	80	19.0	47.6	26.3	14.0	39.7	16.7	16	155	208
33080.W0517	16	90	19.0	47.6	25.2	14.0	39.7	16.7	16	155	234
33080.W0518	16	100	19.0	47.6	25.2	14.0	39.7	16.7	16	155	251
33080.W0519	16	110	19.0	47.6	25.2	14.0	39.7	16.7	16	155	266
33080.W0520	16	120	19.0	47.6	25.2	14.0	39.7	16.7	16	155	281
33080.W0521	16	130	19.0	47.6	25.2	14.0	39.7	16.7	16	155	297
33080.W0522	16	140	19.0	47.6	25.2	14.0	39.7	16.7	16	155	313
33080.W0523	16	150	19.0	47.6	25.2	14.0	39.7	16.7	16	155	328
33080.W0531	20	50	25.0	57.1	33.8	20.5	50.7	21.5	20	244	329
33080.W0533	20	70	25.0	57.1	33.8	20.5	50.7	21.5	20	244	377
33080.W0537	20	90	25.0	57.1	33.8	20.5	50.7	21.5	20	244	426
33080.W0532	20	60	25.0	57.1	35.4	20.5	50.7	21.5	20	244	343
33080.W0536	20	80	25.0	57.1	35.4	20.5	50.7	21.5	20	244	392
33080.W0540	20	100	25.0	57.1	35.4	20.5	50.7	21.5	20	244	440
33080.W0544	20	120	25.0	57.1	35.4	20.5	50.7	21.5	20	244	488
33080.W0545	20	130	25.0	57.1	33.8	20.5	50.7	21.5	20	244	523
33080.W0546	20	140	25.0	57.1	33.8	20.5	50.7	21.5	20	244	546
33080.W0547	20	150	25.0	57.1	33.8	20.5	50.7	21.5	20	244	571
33080.W0549	25	50	30.8	57.1	33.8	22.0	50.7	21.5	25	386	415
33080.W0550	25	60	30.8	57.1	33.8	22.0	50.7	21.5	25	386	453

BALL LOCK PINS & QUICK RELEASE PINS

Ball Lock Pins & Quick Release



Ball Lock Pins - Single Acting - Blue

self-locking - stainless steel 1.4305 (AISI 303)



BALL LOCK PINS & QUICK RELEASE PINS

Order No.	d ₁	l ₁	d ₂	d ₃	d ₄	l ₂	l ₃	l ₄	Loc'n hole tol. H11	Shearing resistance, double kN min.	Weight g
33080.W0551	25	70	30.8	57.1	33.8	22.0	50.7	21.5	25	386	490
33080.W0552	25	80	30.8	57.1	33.8	22.0	50.7	21.5	25	386	528
33080.W0553	25	90	30.8	57.1	33.8	22.0	50.7	21.5	25	386	565
33080.W0554	25	100	30.8	57.1	33.8	22.0	50.7	21.5	25	386	603
33080.W0556	25	120	30.8	57.1	33.8	22.0	50.7	21.5	25	386	690
33080.W0557	25	130	30.8	57.1	33.8	22.0	50.7	21.5	25	386	715
33080.W0558	25	140	30.8	57.1	33.8	22.0	50.7	21.5	25	386	753
33080.W0559	25	150	30.8	57.1	33.8	22.0	50.7	21.5	25	386	790

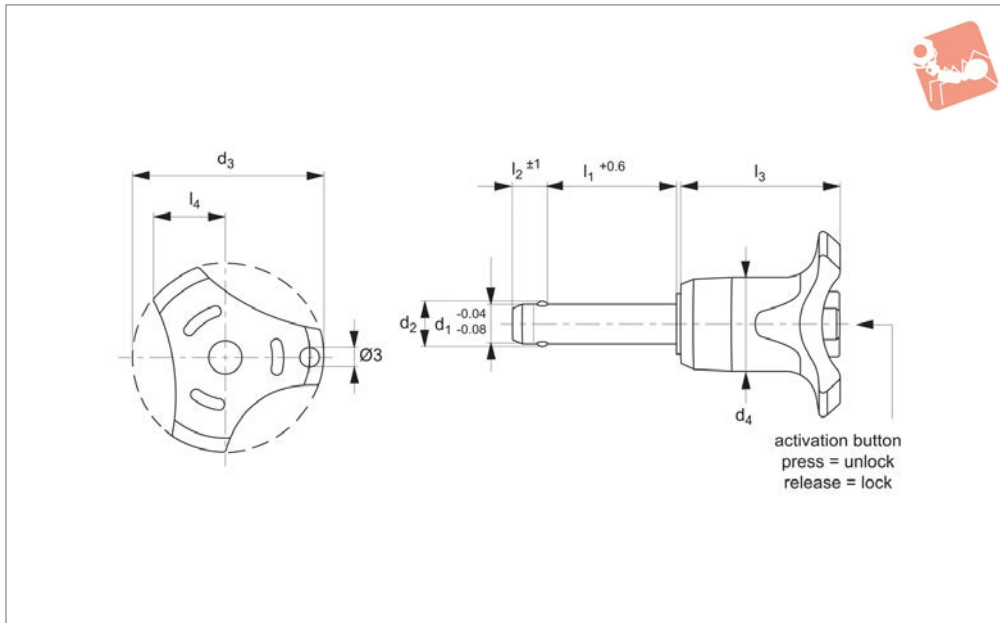




Ball Lock Pins - Single Acting - Grey

self-locking - stainless steel 1.4305 (AISI 303)

Ball Lock Pins & Quick Release



33080.GR

BALL LOCK PINS & QUICK RELEASE PINS

Material

Pin: stainless steel 1.4542 (AISI 630)
 Ball: stainless steel 1.3541
 Spring: stainless steel.
 Handle: thermoplastic PA 6.
 Available colours: grey/orange, grey/blue, grey/grey.

Technical Notes

Pressing = unlocking.

Releasing = locking.

Temperature resistance -30°C to +80°C.
 For quick fastening and locking of frequently repeated connections.

Tips

For lanyards & retaining cables see part no.33250-33261. Easy install locating bushes available see part no.33248 + 33246.

Important Notes

*Shearing resistance similar to DIN 50141.
 Also available in stainless grade 1.4542 (AISI 630) for higher shear forces, see part no.33060.

Order No.	d ₁	l ₁	d ₂	d ₃	d ₄	l ₂	l ₃	l ₄	Loc'n hole tol. H11	Shearing resistance, double kN min.	Weight g
33080.W0292	5	10	5.5	33.2	14.5	6.0	26.7	10.8	5	14	15
33080.W0293	5	15	5.5	33.2	14.5	6.0	26.7	10.8	5	14	15
33080.W0294	5	20	5.5	33.2	14.5	6.0	26.7	10.8	5	14	16
33080.W0295	5	25	5.5	33.2	14.5	6.0	26.7	10.8	5	14	17
33080.W0296	5	30	5.5	33.2	14.5	6.0	26.7	10.8	5	14	18
33080.W0297	6	60	7.0	33.2	14.5	7.0	26.7	10.8	6	21	26
33080.W0298	6	70	7.0	33.2	14.5	7.0	26.7	10.8	6	21	28
33080.W0299	6	80	7.0	33.2	14.5	7.0	26.7	10.8	6	21	30
33080.W0285	5	35	5.5	33.2	14.5	6.0	26.7	10.8	5	14	19
33080.W0286	5	40	5.5	33.2	14.5	6.0	26.7	10.8	5	14	20
33080.W0287	5	45	5.5	33.2	14.5	6.0	26.7	10.8	5	14	21
33080.W0288	5	50	5.5	33.2	14.5	6.0	26.7	10.8	5	14	23
33080.W0289	5	60	5.5	33.2	14.5	6.0	26.7	10.8	5	14	24
33080.W0290	5	70	5.5	33.2	14.5	6.0	26.7	10.8	5	14	18
33080.W0291	5	80	5.5	33.2	14.5	6.0	26.7	10.8	5	14	19
33080.W0302	6	10	7.0	33.2	14.5	7.0	26.7	10.8	6	21	16
33080.W0301	8	100	9.6	39.2	18.4	8.2	33.3	13.4	8	38	54
33080.W0303	6	15	7.0	33.2	14.5	7.0	26.7	10.8	6	21	17
33080.W0304	6	20	7.0	33.2	14.5	7.0	26.7	10.8	6	21	18
33080.W0305	6	25	7.0	33.2	14.5	7.0	26.7	10.8	6	21	19
33080.W0306	6	30	7.0	33.2	14.5	7.0	26.7	10.8	6	21	20
33080.W0307	6	35	7.0	33.2	14.5	7.0	26.7	10.8	6	21	21
33080.W0308	6	40	7.0	33.2	14.5	7.0	26.7	10.8	6	21	22
33080.W0309	6	45	7.0	33.2	14.5	7.0	26.7	10.8	6	21	23
33080.W0310	6	50	7.0	33.2	14.5	7.0	26.7	10.8	6	21	24
33080.W0311	8	90	9.6	39.2	18.4	8.2	33.3	13.4	8	38	36
33080.W0312	8	10	9.6	39.2	18.4	8.2	33.3	13.4	8	38	38

Ball Lock Pins & Quick Release

Ball Lock Pins - Single Acting - Grey

self-locking - stainless steel 1.4305 (AISI 303)



BALL LOCK PINS & QUICK RELEASE PINS

Order No.	d ₁	l ₁	d ₂	d ₃	d ₄	l ₂	l ₃	l ₄	Loc'n hole tol. H11	Shearing resistance, double kN min.	Weight g
33080.W0313	8	15	9.6	39.2	18.4	8.2	33.3	13.4	8	38	58
33080.W0314	8	20	9.6	39.2	19.3	8.2	33.3	13.4	8	38	40
33080.W0315	8	25	9.6	39.2	19.3	8.2	33.3	13.4	8	38	42
33080.W0316	8	30	9.6	39.2	19.3	8.2	33.3	13.4	8	38	44
33080.W0317	8	35	9.6	39.2	19.3	8.2	33.3	13.4	8	38	46
33080.W0318	8	40	9.6	39.2	19.3	8.2	33.3	13.4	8	38	47
33080.W0319	8	45	9.6	39.2	19.3	8.2	33.3	13.4	8	38	49
33080.W0320	8	50	9.6	39.2	19.3	8.2	33.3	13.4	8	38	51
33080.W0321	8	60	9.6	39.2	18.4	8.2	33.3	13.4	8	38	62
33080.W0322	8	70	9.6	39.2	18.4	8.2	33.3	13.4	8	38	65
33080.W0323	8	80	9.6	39.2	18.4	8.2	33.3	13.4	8	38	69
33080.W0324	10	20	12.0	39.2	19.3	9.6	33.3	13.4	10	60	47
33080.W0325	10	25	12.0	39.2	19.3	9.6	33.3	13.4	10	60	49
33080.W0326	10	30	12.0	39.2	19.3	9.6	33.3	13.4	10	60	53
33080.W0327	10	35	12.0	39.2	19.3	9.6	33.3	13.4	10	60	55
33080.W0328	10	40	12.0	39.2	19.3	9.6	33.3	13.4	10	60	58
33080.W0329	10	45	12.0	39.2	19.3	9.6	33.3	13.4	10	60	61
33080.W0330	10	50	12.0	39.2	19.3	9.6	33.3	13.4	10	60	64
33080.W0331	10	15	12.0	39.2	18.4	9.6	33.3	13.4	10	60	86
33080.W0332	10	60	12.0	39.2	19.3	9.6	33.3	13.4	10	60	70
33080.W0333	10	70	12.0	39.2	18.4	9.6	33.3	13.4	10	60	91
33080.W0334	10	80	12.0	39.2	18.4	9.6	33.3	13.4	10	60	97
33080.W0335	10	90	12.0	39.2	18.4	9.6	33.3	13.4	10	60	103
33080.W0336	10	100	12.0	39.2	18.4	9.6	33.3	13.4	10	60	109
33080.W0337	10	110	12.0	39.2	18.4	9.6	33.3	13.4	10	60	115
33080.W0338	10	120	12.0	39.2	18.4	9.6	33.3	13.4	10	60	53
33080.W0344	12	20	14.5	47.6	25.2	10.6	39.7	16.7	12	87	156
33080.W0345	12	25	14.5	47.6	26.3	10.6	39.7	16.7	12	87	96
33080.W0346	12	30	14.5	47.6	26.3	10.6	39.7	16.7	12	87	100
33080.W0347	12	35	14.5	47.6	26.3	10.6	39.7	16.7	12	87	105
33080.W0348	12	40	14.5	47.6	26.3	10.6	39.7	16.7	12	87	109
33080.W0349	12	45	14.5	47.6	26.3	10.6	39.7	16.7	12	87	113
33080.W0350	12	50	14.5	47.6	26.3	10.6	39.7	16.7	12	87	117
33080.W0352	12	60	14.5	47.6	26.3	10.6	39.7	16.7	12	87	126
33080.W0354	12	70	14.5	47.6	26.3	10.6	39.7	16.7	12	87	134
33080.W0356	12	80	14.5	47.6	26.3	10.6	39.7	16.7	12	87	143
33080.W0357	12	90	14.5	47.6	26.3	10.6	39.7	16.7	12	87	165
33080.W0358	12	100	14.5	47.6	25.2	10.6	39.7	16.7	12	87	173
33080.W0359	12	110	14.5	47.6	25.2	10.6	39.7	16.7	12	87	182
33080.W0360	12	120	14.5	47.6	25.2	10.6	39.7	16.7	12	87	96
33080.W0366	16	30	19.0	47.6	26.3	14.0	39.7	16.7	16	155	132
33080.W0367	16	35	19.0	47.6	26.3	14.0	39.7	16.7	16	155	140
33080.W0368	16	40	19.0	47.6	26.3	14.0	39.7	16.7	16	155	148
33080.W0369	16	45	19.0	47.6	26.3	14.0	39.7	16.7	16	155	155
33080.W0370	16	50	19.0	47.6	26.3	14.0	39.7	16.7	16	155	168
33080.W0372	16	60	19.0	47.6	26.3	14.0	39.7	16.7	16	155	178
33080.W0374	16	70	19.0	47.6	26.3	14.0	39.7	16.7	16	155	194
33080.W0376	16	80	19.0	47.6	26.3	14.0	39.7	16.7	16	155	208
33080.W0377	16	90	19.0	47.6	25.2	14.0	39.7	16.7	16	155	234
33080.W0378	16	100	19.0	47.6	25.2	14.0	39.7	16.7	16	155	251
33080.W0379	16	110	19.0	47.6	25.2	14.0	39.7	16.7	16	155	266
33080.W0380	16	120	19.0	47.6	25.2	14.0	39.7	16.7	16	155	281
33080.W0381	16	130	19.0	47.6	25.2	14.0	39.7	16.7	16	155	297
33080.W0382	16	140	19.0	47.6	25.2	14.0	39.7	16.7	16	155	313
33080.W0383	16	150	19.0	47.6	25.2	14.0	39.7	16.7	16	155	328
33080.W0391	20	50	25.0	57.1	33.8	20.5	50.7	21.5	20	244	329
33080.W0392	20	60	25.0	57.1	35.4	20.5	50.7	21.5	20	244	343
33080.W0393	20	70	25.0	57.1	33.8	20.5	50.7	21.5	20	244	377
33080.W0397	20	90	25.0	57.1	33.8	20.5	50.7	21.5	20	244	426
33080.W0401	20	110	25.0	57.1	33.8	20.5	50.7	21.5	20	244	474
33080.W0396	20	80	25.0	57.1	35.4	20.5	50.7	21.5	20	244	392
33080.W0400	20	100	25.0	57.1	35.4	20.5	50.7	21.5	20	244	440
33080.W0404	20	120	25.0	57.1	33.8	20.5	50.7	21.5	20	244	488
33080.W0406	20	130	25.0	57.1	33.8	20.5	50.7	21.5	20	244	523
33080.W0407	20	150	25.0	57.1	33.8	20.5	50.7	21.5	20	244	571
33080.W0409	25	50	30.8	57.1	33.8	22.0	50.7	21.5	25	286	415
33080.W0410	25	60	30.8	57.1	33.8	22.0	50.7	21.5	25	286	453



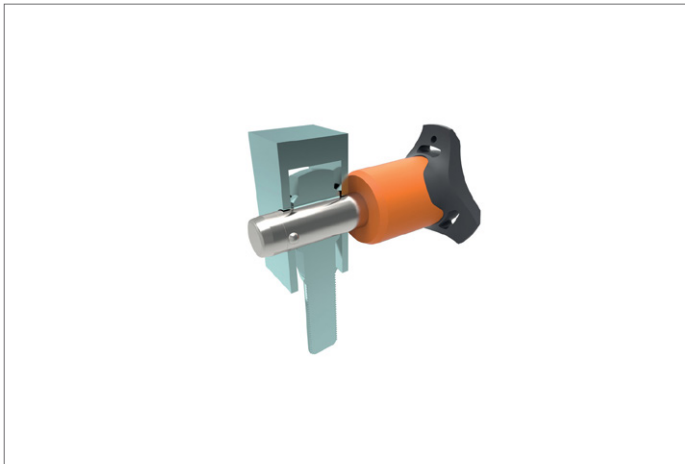
Ball Lock Pins - Single Acting - Grey

self-locking - stainless steel 1.4305 (AISI 303)

Ball Lock Pins & Quick Release



Order No.	d ₁	l ₁	d ₂	d ₃	d ₄	l ₂	l ₃	l ₄	Loc'n hole tol. H11	Shearing resistance, double kN min.	Weight g
33080.W0411	25	70	30.8	57.1	33.8	22.0	50.7	21.5	25	286	490
33080.W0412	25	80	30.8	57.1	33.8	22.0	50.7	21.5	25	286	528
33080.W0413	25	90	30.8	57.1	33.8	22.0	50.7	21.5	25	286	565
33080.W0414	25	100	30.8	57.1	33.8	22.0	50.7	21.5	25	286	603
33080.W0415	25	110	30.8	57.1	33.8	22.0	50.7	21.5	25	286	640
33080.W0416	25	120	30.8	57.1	33.8	22.0	50.7	21.5	25	286	690
33080.W0417	25	130	30.8	57.1	33.8	22.0	50.7	21.5	25	286	715
33080.W0418	25	140	30.8	57.1	33.8	22.0	50.7	21.5	25	286	753
33080.W0419	25	150	30.8	57.1	33.8	22.0	50.7	21.5	25	286	790



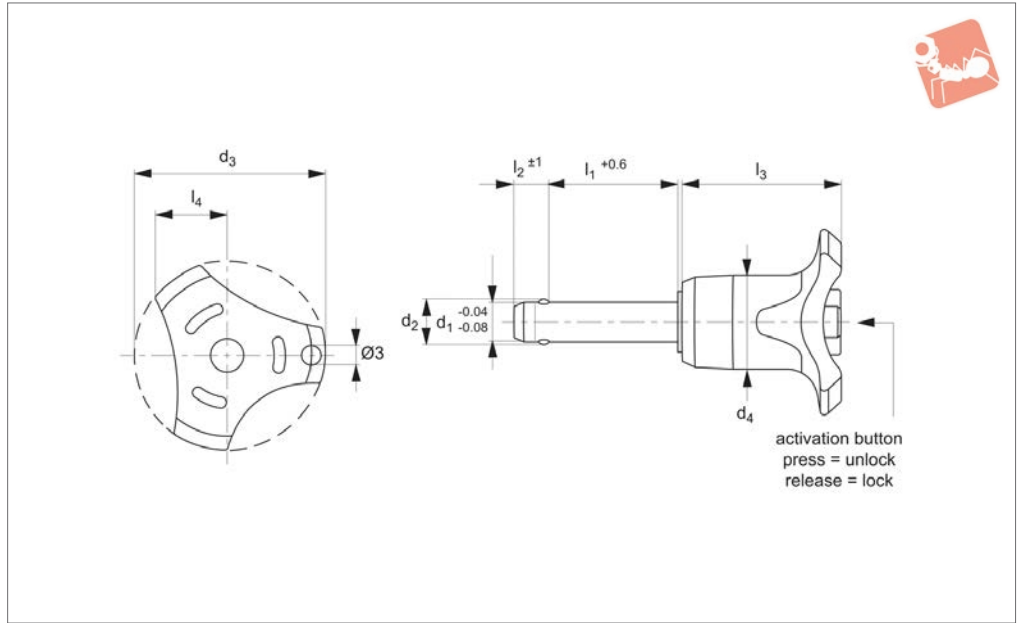
BALL LOCK PINS & QUICK RELEASE PINS



BALL LOCK PINS & QUICK RELEASE PINS



33080.OR



Material

Pin: stainless steel 1,4542 (AISI 630)
 Ball: stainless steel 1.3541
 Spring: stainless steel.
 Handle: thermoplastic PA 6.
 Available colours: grey/orange, grey/blue, grey/grey.

Technical Notes

Pressing = unlocking.

Releasing = locking.

Temperature resistance -30°C to +80°C.
 For quick fastening and locking of frequently repeated connections.

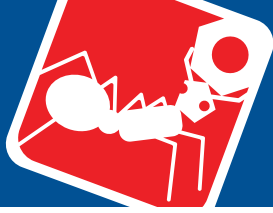
Tips

For lanyards & retaining cables see part no.33250-33261. Easy install locating bushes available see part no.33248 + 33246.

Important Notes

*Shearing resistance similar to DIN 50141.
 Also available in stainless grade 1.4542 (AISI 630) for higher shear forces, see part no.33060.

Order No.	d ₁	l ₁	d ₂	d ₃	d ₄	l ₂	l ₃	l ₄	Loc'n hole tol. H11	Shearing resistance, double kN min.	Weight g
33080.W0152	5	10	5.5	33.2	14.5	6.0	26.7	10.8	5	14	15
33080.W0153	5	15	5.5	33.2	14.5	6.0	26.7	10.8	5	14	15
33080.W0154	5	20	5.5	33.2	14.5	6.0	26.7	10.8	5	14	16
33080.W0155	5	25	5.5	33.2	14.5	6.0	26.7	10.8	5	14	17
33080.W0156	5	30	5.5	33.2	14.5	6.0	26.7	10.8	5	14	18
33080.W0157	6	60	7.0	33.2	14.5	7.0	26.7	10.8	6	21	26
33080.W0158	6	70	7.0	33.2	14.5	7.0	26.7	10.8	6	21	28
33080.W0159	6	80	7.0	33.2	14.5	7.0	26.7	10.8	6	21	30
33080.W0145	5	35	5.5	33.2	14.5	6.0	26.7	10.8	5	14	19
33080.W0146	5	40	5.5	33.2	14.5	6.0	26.7	10.8	5	14	20
33080.W0147	5	45	5.5	33.2	14.5	6.0	26.7	10.8	5	14	21
33080.W0148	5	50	5.5	33.2	14.5	6.0	26.7	10.8	5	14	23
33080.W0149	5	60	5.5	33.2	14.5	6.0	26.7	10.8	5	14	24
33080.W0150	5	70	5.5	33.2	14.5	6.0	26.7	10.8	5	14	18
33080.W0151	5	80	5.5	33.2	14.5	6.0	26.7	10.8	5	14	19
33080.W0161	8	100	9.6	39.2	18.4	8.2	33.3	13.4	8	38	54
33080.W0162	6	10	7.0	33.2	14.5	7.0	26.7	10.8	6	21	16
33080.W0163	6	15	7.0	33.2	14.5	7.0	26.7	10.8	6	21	17
33080.W0164	6	20	7.0	33.2	14.5	7.0	26.7	10.8	6	21	18
33080.W0165	6	25	7.0	33.2	14.5	7.0	26.7	10.8	6	21	19
33080.W0166	6	30	7.0	33.2	14.5	7.0	26.7	10.8	6	21	20
33080.W0167	6	35	7.0	33.2	14.5	7.0	26.7	10.8	6	21	21
33080.W0168	6	40	7.0	33.2	14.5	7.0	26.7	10.8	6	21	22
33080.W0169	6	45	7.0	33.2	14.5	7.0	26.7	10.8	6	21	23
33080.W0170	6	50	7.0	33.2	14.5	7.0	26.7	10.8	6	21	24
33080.W0171	8	90	9.6	39.2	18.4	8.2	33.3	13.4	8	38	36
33080.W0172	8	10	9.6	39.2	18.4	8.2	33.3	13.4	8	38	38



Ball Lock Pins - Single Acting - Orange

self-locking - stainless steel 1.4305 (AISI 303)

Ball Lock Pins & Quick Release



Order No.	d ₁	l ₁	d ₂	d ₃	d ₄	l ₂	l ₃	l ₄	Loc'n hole tol. H11	Shearing resistance, double kN min.	Weight g
33080.W0173	8	15	9.6	39.2	18.4	8.2	33.3	13.4	8	38	58
33080.W0174	8	20	9.6	39.2	19.3	8.2	33.3	13.4	8	38	40
33080.W0175	8	25	9.6	39.2	19.3	8.2	33.3	13.4	8	38	42
33080.W0176	8	30	9.6	39.2	19.3	8.2	33.3	13.4	8	38	44
33080.W0177	8	35	9.6	39.2	19.3	8.2	33.3	13.4	8	38	46
33080.W0178	8	40	9.6	39.2	19.3	8.2	33.3	13.4	8	38	47
33080.W0179	8	45	9.6	39.2	19.3	8.2	33.3	13.4	8	38	49
33080.W0180	8	50	9.6	39.2	19.3	8.2	33.3	13.4	8	38	51
33080.W0181	8	60	9.6	39.2	19.3	8.2	33.3	13.4	8	38	62
33080.W0182	8	70	9.6	39.2	19.3	8.2	33.3	13.4	8	38	65
33080.W0183	8	80	9.6	39.2	18.4	8.2	33.3	13.4	8	38	69
33080.W0184	10	20	12.0	39.2	19.3	9.6	33.3	13.4	10	60	47
33080.W0185	10	25	12.0	39.2	19.3	9.6	33.3	13.4	10	60	49
33080.W0186	10	30	12.0	39.2	19.3	9.6	33.3	13.4	10	60	53
33080.W0187	10	35	12.0	39.2	19.3	9.6	33.3	13.4	10	60	55
33080.W0188	10	40	12.0	39.2	19.3	9.6	33.3	13.4	10	60	58
33080.W0189	10	45	12.0	39.2	19.3	9.6	33.3	13.4	10	60	61
33080.W0190	10	50	12.0	39.2	19.3	9.6	33.3	13.4	10	60	64
33080.W0191	10	15	12.0	39.2	18.4	9.6	33.3	13.4	10	60	86
33080.W0192	10	60	12.0	39.2	19.3	9.6	33.3	13.4	10	60	70
33080.W0193	10	70	12.0	39.2	18.4	9.6	33.3	13.4	10	60	91
33080.W0195	10	90	12.0	39.2	18.4	9.6	33.3	13.4	10	60	103
33080.W0194	10	80	12.0	39.2	18.4	9.6	33.3	13.4	10	60	97
33080.W0196	10	100	12.0	39.2	18.4	9.6	33.3	13.4	10	60	109
33080.W0197	10	110	12.0	39.2	18.4	9.6	33.3	13.4	10	60	115
33080.W0198	10	120	12.0	39.2	18.4	9.6	33.3	13.4	10	60	53
33080.W0204	12	20	14.5	47.6	25.2	10.6	39.7	16.7	12	87	156
33080.W0205	12	25	14.5	47.6	26.3	10.6	39.7	16.7	12	87	96
33080.W0206	12	30	14.5	47.6	26.3	10.6	39.7	16.7	12	87	100
33080.W0207	12	35	14.5	47.6	26.3	10.6	39.7	16.7	12	87	105
33080.W0208	12	40	14.5	47.6	26.3	10.6	39.7	16.7	12	87	109
33080.W0209	12	45	14.5	47.6	26.3	10.6	39.7	16.7	12	87	113
33080.W0210	12	50	14.5	47.6	26.3	10.6	39.7	16.7	12	87	117
33080.W0212	12	60	14.5	47.6	26.3	10.6	39.7	16.7	12	87	126
33080.W0214	12	70	14.5	47.6	26.3	10.6	39.7	16.7	12	87	134
33080.W0216	12	80	14.5	47.6	26.3	10.6	39.7	16.7	12	87	143
33080.W0217	12	90	14.5	47.6	25.2	10.6	39.7	16.7	12	87	165
33080.W0218	12	100	14.5	47.6	25.2	10.6	39.7	16.7	12	87	173
33080.W0219	12	110	14.5	47.6	25.2	10.6	39.7	16.7	12	87	182
33080.W0220	12	120	14.5	47.6	25.2	10.6	39.7	16.7	12	87	177
33080.W0226	16	30	19.0	47.6	26.3	14.0	39.7	16.7	16	155	132
33080.W0227	16	35	19.0	47.6	26.3	14.0	39.7	16.7	16	155	140
33080.W0228	16	40	19.0	47.6	26.3	14.0	39.7	16.7	16	155	148
33080.W0229	16	45	19.0	47.6	26.3	14.0	39.7	16.7	16	155	155
33080.W0230	16	50	19.0	47.6	26.3	14.0	39.7	16.7	16	155	168
33080.W0232	16	60	19.0	47.6	26.3	14.0	39.7	16.7	16	155	178
33080.W0234	16	70	19.0	47.6	26.3	14.0	39.7	16.7	16	155	194
33080.W0236	16	80	19.0	47.6	26.3	14.0	39.7	16.7	16	155	208
33080.W0237	16	90	19.0	47.6	25.2	14.0	39.7	16.7	16	155	234
33080.W0238	16	100	19.0	47.6	25.2	14.0	39.7	16.7	16	155	251
33080.W0239	16	110	19.0	47.6	25.2	14.0	39.7	16.7	16	155	266
33080.W0240	16	120	19.0	47.6	25.2	14.0	39.7	16.7	16	155	281
33080.W0241	16	130	19.0	47.6	25.2	14.0	39.7	16.7	16	155	297
33080.W0242	16	140	19.0	47.6	25.2	14.0	39.7	16.7	16	155	313
33080.W0243	16	150	19.0	47.6	25.2	14.0	39.7	16.7	16	155	328
33080.W0251	20	50	25.0	57.1	33.8	20.5	50.7	21.5	20	244	329
33080.W0252	20	60	25.0	57.1	35.4	20.5	50.7	21.5	20	244	343
33080.W0253	20	70	25.0	57.1	33.8	20.5	50.7	21.5	20	244	377
33080.W0256	20	80	25.0	57.1	35.4	20.5	50.7	21.5	20	244	392
33080.W0257	20	90	25.0	57.1	33.8	20.5	50.7	21.5	20	244	426
33080.W0260	20	100	25.0	57.1	35.4	20.5	50.7	21.5	20	244	440
33080.W0261	20	110	25.0	57.1	33.8	20.5	50.7	21.5	20	244	474
33080.W0264	20	120	25.0	57.1	35.4	20.5	50.7	21.5	20	244	488
33080.W0265	20	130	25.0	57.1	33.8	20.5	50.7	21.5	20	244	523
33080.W0266	20	140	25.0	57.1	33.8	20.5	50.7	21.5	20	244	546
33080.W0267	20	150	25.0	57.1	33.8	20.5	50.7	21.5	20	244	571
33080.W0269	25	50	30.8	57.1	33.8	22.0	50.7	21.5	25	386	415

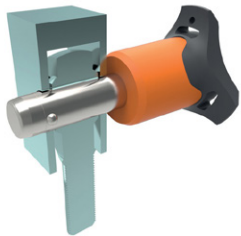
BALL LOCK PINS & QUICK RELEASE PINS

Ball Lock Pins & Quick Release

Ball Lock Pins - Single Acting - Orange self-locking - stainless steel 1.4305 (AISI 303)



Order No.	d ₁	l ₁	d ₂	d ₃	d ₄	l ₂	l ₃	l ₄	Loc'n hole tol. H11	Shearing resistance, double kN min.	Weight g
33080.W0270	25	60	30.8	57.1	33.8	22.0	50.7	21.5	25	386	453
33080.W0271	25	70	30.8	57.1	33.8	22.0	50.7	21.5	25	386	490
33080.W0272	25	80	30.8	57.1	33.8	22.0	50.7	21.5	25	386	528
33080.W0273	25	90	30.8	57.1	33.8	22.0	50.7	21.5	25	386	565
33080.W0274	25	100	30.8	57.1	33.8	22.0	50.7	21.5	25	386	603
33080.W0275	25	110	30.8	57.1	33.8	22.0	50.7	21.5	25	386	640
33080.W0276	25	120	30.8	57.1	33.8	22.0	50.7	21.5	25	386	690
33080.W0277	25	130	30.8	57.1	33.8	22.0	50.7	21.5	25	386	715
33080.W0278	25	140	30.8	57.1	33.8	22.0	50.7	21.5	25	386	753
33080.W0279	25	150	30.8	57.1	33.8	22.0	50.7	21.5	25	386	790



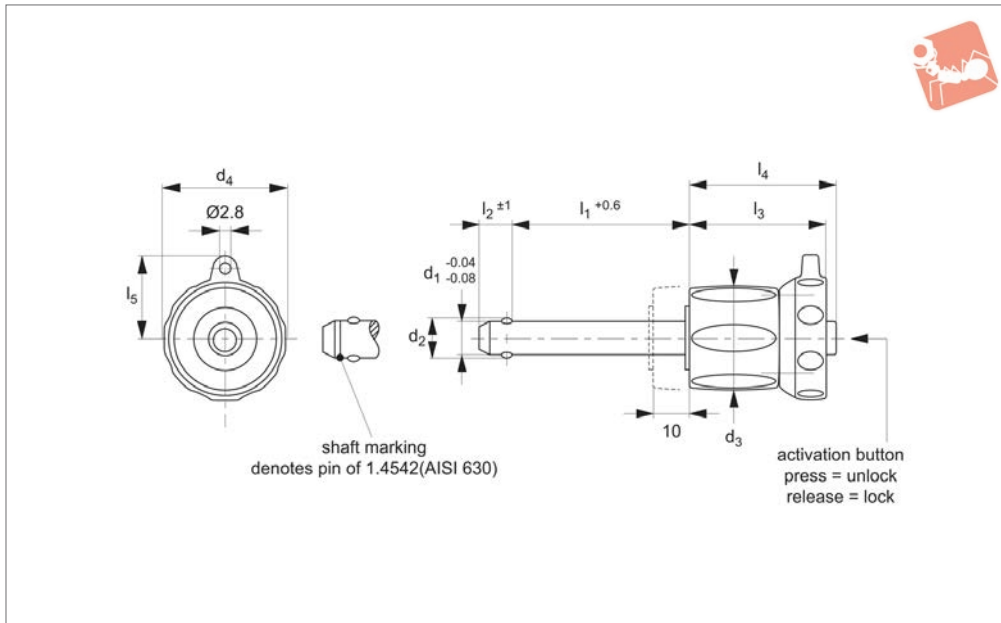
BALL LOCK PINS & QUICK RELEASE PINS



Ball Lock Pins - Single Acting

self-locking - adj. length - stainless 1.4305

Ball Lock Pins & Quick Release



33104.1

BALL LOCK PINS & QUICK RELEASE PINS

Material

Pin: stainless steel 1.4305 (AISI 303).
Ball: stainless steel 1.3541
Spring: stainless steel.
Adj. Grip: thermoplastic, grey/black.

Technical Notes

Pressing = unlocking.
Releasing = locking.

Unique design; adj.grip offers up to 10mm of clamping stroke on pin length l_1 after installation.

Temperature resistance -30°C to +80°C.
For quick fastening and locking of frequently repeated connections, with additional clamping capacity of up to 10mm stroke.

Tips

For lanyards & retaining cables see part no.33250. Easy install locating bushes available see part no.33248.

Important Notes

*Shearing resistance similar to DIN 50141.

Order No.	d_1	l_1	Material	d_2	d_3	d_4	l_2	l_3	l_4	l_5	Loc'n hole tol. H11	Shearing resistance, double	Weight
												kN min.	g
33104.W0192	5	0 - 10	Stainless 1.4305	5.5	17.6	23.6	6.0	25.7	26.2	15.9	5	14	24
33104.W0193	5	5 - 15	Stainless 1.4305	5.5	17.6	23.6	6.0	25.7	26.2	15.9	5	14	25
33104.W0194	5	10 - 20	Stainless 1.4305	5.5	17.6	23.6	6.0	25.7	26.2	15.9	5	14	26
33104.W0195	5	15 - 25	Stainless 1.4305	5.5	17.6	23.6	6.0	25.7	26.2	15.9	5	14	27
33104.W0196	5	20 - 30	Stainless 1.4305	5.5	17.6	23.6	6.0	25.7	26.2	15.9	5	14	27
33104.W0202	6	0 - 10	Stainless 1.4305	7.0	17.6	23.6	7.0	25.7	26.2	15.9	6	21	25
33104.W0203	6	5 - 15	Stainless 1.4305	7.0	17.6	23.6	7.0	25.7	26.2	15.9	6	21	26
33104.W0204	6	10 - 20	Stainless 1.4305	7.0	17.6	23.6	7.0	25.7	26.2	15.9	6	21	27
33104.W0205	6	15 - 25	Stainless 1.4305	7.0	17.6	23.6	7.0	25.7	26.2	15.9	6	21	28
33104.W0206	6	20 - 30	Stainless 1.4305	7.0	17.6	23.6	7.0	25.7	26.2	15.9	6	21	29
33104.W0207	6	25 - 35	Stainless 1.4305	7.0	17.6	23.6	7.0	25.7	26.2	15.9	6	21	30
33104.W0208	6	30 - 40	Stainless 1.4305	7.0	17.6	23.6	7.0	25.7	26.2	15.9	6	21	31
33104.W0209	6	35 - 45	Stainless 1.4305	7.0	17.6	23.6	7.0	25.7	26.2	15.9	6	21	32
33104.W0210	6	40 - 50	Stainless 1.4305	7.0	17.6	23.6	7.0	25.7	26.2	15.9	6	21	33
33104.W0214	8	10 - 20	Stainless 1.4305	9.6	23.0	27.6	8.2	31.2	33.1	18.0	8	38	57
33104.W0215	8	15 - 25	Stainless 1.4305	9.6	23.0	27.6	8.2	31.2	33.1	18.0	8	38	58
33104.W0216	8	20 - 30	Stainless 1.4305	9.6	23.0	27.6	8.2	31.2	33.1	18.0	8	38	60
33104.W0217	8	25 - 35	Stainless 1.4305	9.6	23.0	27.6	8.2	31.2	33.1	18.0	8	38	62
33104.W0218	8	30 - 40	Stainless 1.4305	9.6	23.0	27.6	8.2	31.2	33.1	18.0	8	38	64
33104.W0219	8	35 - 45	Stainless 1.4305	9.6	23.0	27.6	8.2	31.2	33.1	18.0	8	38	66
33104.W0220	8	40 - 50	Stainless 1.4305	9.6	23.0	27.6	8.2	31.2	33.1	18.0	8	38	68
33104.W0224	10	10 - 20	Stainless 1.4305	12.0	23.0	27.6	9.6	31.2	33.1	18.0	10	60	63
33104.W0225	10	15 - 25	Stainless 1.4305	12.0	23.0	27.6	9.6	31.2	33.1	18.0	10	60	66
33104.W0226	10	20 - 30	Stainless 1.4305	12.0	23.0	27.6	9.6	31.2	33.1	18.0	10	60	69
33104.W0227	10	25 - 35	Stainless 1.4305	12.0	23.0	27.6	9.6	31.2	33.1	18.0	10	60	72
33104.W0228	10	30 - 40	Stainless 1.4305	12.0	23.0	27.6	9.6	31.2	33.1	18.0	10	60	75
33104.W0229	10	35 - 45	Stainless 1.4305	12.0	23.0	27.6	9.6	31.2	33.1	18.0	10	60	78
33104.W0230	10	40 - 50	Stainless 1.4305	12.0	23.0	27.6	9.6	31.2	33.1	18.0	10	60	81

Ball Lock Pins & Quick Release

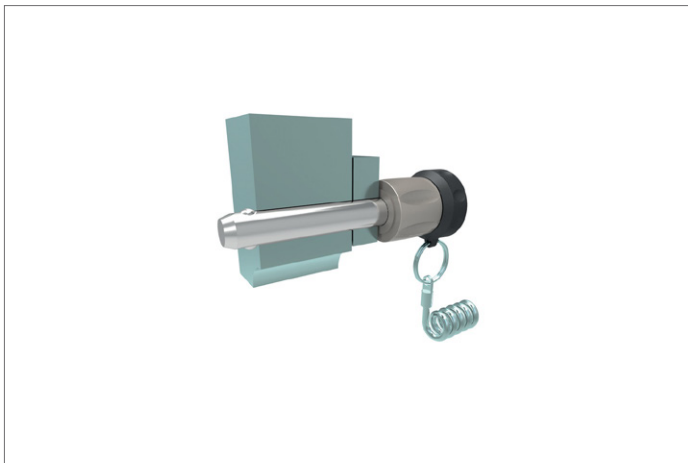
Ball Lock Pins - Single Acting

self-locking - adj. length - stainless 1.4305



BALL LOCK PINS & QUICK RELEASE PINS

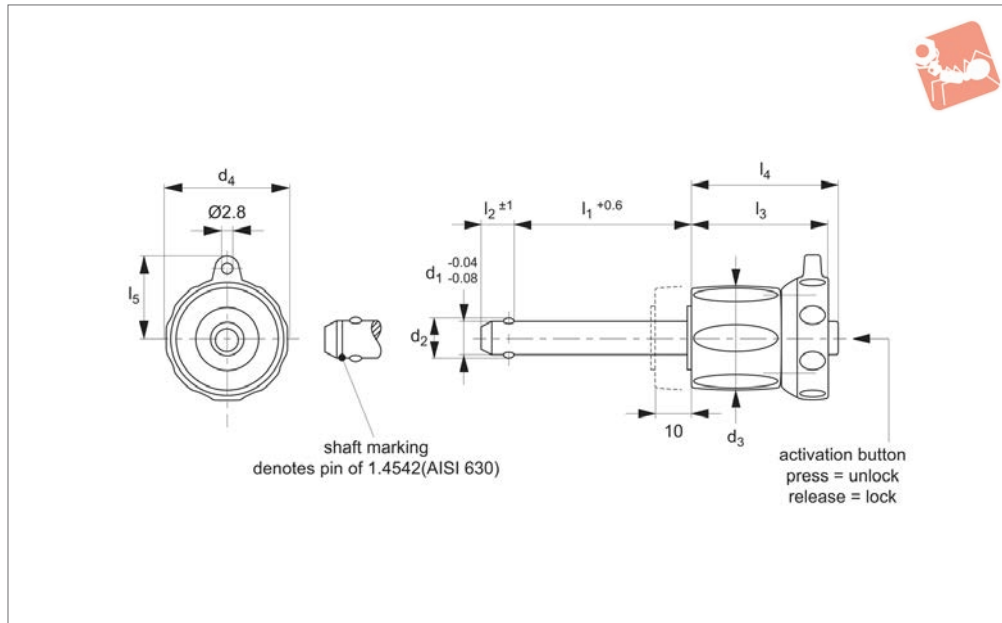
Order No.	d ₁	l ₁	Material	d ₂	d ₃	d ₄	l ₂	l ₃	l ₄	l ₅	Loc'n hole tol. H11	Shearing resistance, double kN min.	Weight g
33104.W0232	10	50 - 60	Stainless 1.4305	12.0	23.0	27.6	9.6	31.2	33.1	18.0	10	60	87
33104.W0235	12	15 - 25	Stainless 1.4305	14.5	29.0	34.6	10.6	36.7	39.5	21.8	12	87	123
33104.W0236	12	20 - 30	Stainless 1.4305	14.5	29.0	34.6	10.6	36.7	39.5	21.8	12	87	127
33104.W0237	12	25 - 35	Stainless 1.4305	14.5	29.0	34.6	10.6	36.7	39.5	21.8	12	87	131
33104.W0238	12	30 - 40	Stainless 1.4305	14.5	29.0	34.6	10.6	36.7	39.5	21.8	12	87	135
33104.W0239	12	35 - 45	Stainless 1.4305	14.5	29.0	34.6	10.6	36.7	39.5	21.8	12	87	140
33104.W0240	12	40 - 50	Stainless 1.4305	14.5	29.0	34.6	10.6	36.7	39.5	21.8	12	87	144
33104.W0242	12	50 - 60	Stainless 1.4305	14.5	29.0	34.6	10.6	36.7	39.5	21.8	12	87	152
33104.W0244	12	60 - 70	Stainless 1.4305	14.5	29.0	34.6	10.6	36.7	39.5	21.8	12	87	161
33104.W0246	12	70 - 80	Stainless 1.4305	14.5	29.0	34.6	10.6	36.7	39.5	21.8	12	87	169
33104.W0256	16	20 - 30	Stainless 1.4305	19.0	29.0	34.6	14.0	36.7	39.5	21.8	16	155	159
33104.W0257	16	25 - 35	Stainless 1.4305	19.0	29.0	34.6	14.0	36.7	39.5	21.8	16	155	166
33104.W0258	16	30 - 40	Stainless 1.4305	19.0	29.0	34.6	14.0	36.7	39.5	21.8	16	155	174
33104.W0259	16	35 - 45	Stainless 1.4305	19.0	29.0	34.6	14.0	36.7	39.5	21.8	16	155	182
33104.W0260	16	40 - 50	Stainless 1.4305	19.0	29.0	34.6	14.0	36.7	39.5	21.8	16	155	189
33104.W0262	16	50 - 60	Stainless 1.4305	19.0	29.0	34.6	14.0	36.7	39.5	21.8	16	155	205
33104.W0264	16	60 - 70	Stainless 1.4305	19.0	29.0	34.6	14.0	36.7	39.5	21.8	16	155	220
33104.W0266	16	70 - 80	Stainless 1.4305	19.0	29.0	34.6	14.0	36.7	39.5	21.8	16	155	235





Ball Lock Pins - Single Acting self-locking - adj. length - stainless 1.4542

Ball Lock Pins & Quick Release



33104.2

BALL LOCK PINS & QUICK RELEASE PINS

Material

Pin: stainless steel 1.4542 (AISI 630), precipitation hardened, blast finish. Offering extreme load capacity. (Marked at end of shaft to denote 1.4542 material).
Ball: stainless steel 1.3541
Spring: stainless steel.
Adj. Grip: thermoplastic, grey/black.

Releasing = locking.

Unique design; adj.grip offers up to 10mm of clamping stroke on pin length l_1 after installation.

Temperature resistance -30°C to +80°C.
For quick fastening and locking of frequently repeated connections, with additional clamping capacity of up to 10mm stroke.

Tips

For lanyards & retaining cables see part no.33250. Easy install locating bushes available see part no.33248.

Important Notes

*Shearing resistance similar to DIN 50141.

Technical Notes

Pressing = unlocking.

Order No.	d_1	l_1	Material	d_2	d_3	d_4	l_2	l_3	l_4	l_5	Loc'n hole tol. H11	Shearing resistance, double kN min.	Weight g
33104.W0392	5	0 - 10	Stainless 1.4542	5.5	17.6	23.6	6.0	25.7	26.2	15.9	5	24	24
33104.W0393	5	5 - 15	Stainless 1.4542	5.5	17.6	23.6	6.0	25.7	26.2	15.9	5	24	25
33104.W0394	5	10 - 20	Stainless 1.4542	5.5	17.6	23.6	6.0	25.7	26.2	15.9	5	24	26
33104.W0395	5	15 - 25	Stainless 1.4542	5.5	17.6	23.6	6.0	25.7	26.2	15.9	5	24	27
33104.W0396	5	20 - 30	Stainless 1.4542	5.5	17.6	23.6	6.0	25.7	26.2	15.9	5	24	27
33104.W0402	6	0 - 10	Stainless 1.4542	7.0	17.6	23.6	7.0	25.7	26.2	15.9	6	35	25
33104.W0403	6	5 - 15	Stainless 1.4542	7.0	17.6	23.6	7.0	25.7	26.2	15.9	6	35	26
33104.W0404	6	10 - 20	Stainless 1.4542	7.0	17.6	23.6	7.0	25.7	26.2	15.9	6	35	27
33104.W0405	6	15 - 25	Stainless 1.4542	7.0	17.6	23.6	7.0	25.7	26.2	15.9	6	35	28
33104.W0406	6	20 - 30	Stainless 1.4542	7.0	17.6	23.6	7.0	25.7	26.2	15.9	6	35	29
33104.W0407	6	25 - 35	Stainless 1.4542	7.0	17.6	23.6	7.0	25.7	26.2	15.9	6	35	30
33104.W0408	6	30 - 40	Stainless 1.4542	7.0	17.6	23.6	7.0	25.7	26.2	15.9	6	35	31
33104.W0409	6	35 - 45	Stainless 1.4542	7.0	17.6	23.6	7.0	25.7	26.2	15.9	6	35	32
33104.W0410	6	40 - 50	Stainless 1.4542	7.0	17.6	23.6	7.0	25.7	26.2	15.9	6	35	33
33104.W0414	8	10 - 20	Stainless 1.4542	9.6	23.0	27.6	8.2	31.2	33.1	18.0	8	63	57
33104.W0415	8	15 - 25	Stainless 1.4542	9.6	23.0	27.6	8.2	31.2	33.1	18.0	8	63	58
33104.W0416	8	20 - 30	Stainless 1.4542	9.6	23.0	27.6	8.2	31.2	33.1	18.0	8	63	60
33104.W0417	8	25 - 35	Stainless 1.4542	9.6	23.0	27.6	8.2	31.2	33.1	18.0	8	63	62
33104.W0418	8	30 - 40	Stainless 1.4542	9.6	23.0	27.6	8.2	31.2	33.1	18.0	8	63	64
33104.W0419	8	35 - 45	Stainless 1.4542	9.6	23.0	27.6	8.2	31.2	33.1	18.0	8	63	66
33104.W0420	8	40 - 50	Stainless 1.4542	9.6	23.0	27.6	8.2	31.2	33.1	18.0	8	63	68
33104.W0424	10	10 - 20	Stainless 1.4542	12.0	23.0	27.6	9.6	31.2	33.1	18.0	10	100	63
33104.W0425	10	15 - 25	Stainless 1.4542	12.0	23.0	27.6	9.6	31.2	33.1	18.0	10	100	66
33104.W0426	10	20 - 30	Stainless 1.4542	12.0	23.0	27.6	9.6	31.2	33.1	18.0	10	100	69
33104.W0427	10	25 - 35	Stainless 1.4542	12.0	23.0	27.6	9.6	31.2	33.1	18.0	10	100	72

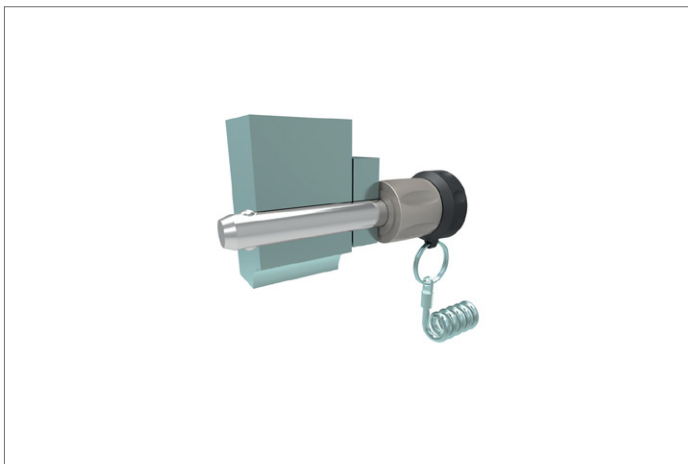
Ball Lock Pins & Quick Release

Ball Lock Pins - Single Acting self-locking - adj. length - stainless 1.4542



BALL LOCK PINS & QUICK RELEASE PINS

Order No.	d ₁	l ₁	Material	d ₂	d ₃	d ₄	l ₂	l ₃	l ₄	l ₅	Loc'n hole tol. H11	Shearing resistance, double kN min.	Weight g
33104.W0428	10	30 - 40	Stainless 1.4542	12.0	23.0	27.6	9.6	31.2	33.1	18.0	10	100	75
33104.W0429	10	35 - 45	Stainless 1.4542	12.0	23.0	27.6	9.6	31.2	33.1	18.0	10	100	78
33104.W0430	10	40 - 50	Stainless 1.4542	12.0	23.0	27.6	9.6	31.2	33.1	18.0	10	100	81
33104.W0432	10	50 - 60	Stainless 1.4542	12.0	23.0	27.6	9.6	31.2	33.1	18.0	10	100	87
33104.W0435	12	15 - 25	Stainless 1.4542	14.5	29.0	34.6	10.6	36.7	39.5	21.8	12	144	123
33104.W0436	12	20 - 30	Stainless 1.4542	14.5	29.0	34.6	10.6	36.7	39.5	21.8	12	144	127
33104.W0437	12	25 - 35	Stainless 1.4542	14.5	29.0	34.6	10.6	36.7	39.5	21.8	12	144	131
33104.W0438	12	30 - 40	Stainless 1.4542	14.5	29.0	34.6	10.6	36.7	39.5	21.8	12	144	135
33104.W0439	12	35 - 45	Stainless 1.4542	14.5	29.0	34.6	10.6	36.7	39.5	21.8	12	144	140
33104.W0440	12	40 - 50	Stainless 1.4542	14.5	29.0	34.6	10.6	36.7	39.5	21.8	12	144	144
33104.W0442	12	50 - 60	Stainless 1.4542	14.5	29.0	34.6	10.6	36.7	39.5	21.8	12	144	152
33104.W0444	12	60 - 70	Stainless 1.4542	14.5	29.0	34.6	10.6	36.7	39.5	21.8	12	144	161
33104.W0446	12	70 - 80	Stainless 1.4542	14.5	29.0	34.6	10.6	36.7	39.5	21.8	12	144	169
33104.W0456	16	20 - 30	Stainless 1.4542	19.0	29.0	34.6	14.0	36.7	39.5	21.8	16	257	159
33104.W0457	16	25 - 35	Stainless 1.4542	19.0	29.0	34.6	14.0	36.7	39.5	21.8	16	257	166
33104.W0458	16	30 - 40	Stainless 1.4542	19.0	29.0	34.6	14.0	36.7	39.5	21.8	16	257	174
33104.W0459	16	35 - 45	Stainless 1.4542	19.0	29.0	34.6	14.0	36.7	39.5	21.8	16	257	182
33104.W0460	16	40 - 50	Stainless 1.4542	19.0	29.0	34.6	14.0	36.7	39.5	21.8	16	257	189
33104.W0462	16	50 - 60	Stainless 1.4542	19.0	29.0	34.6	14.0	36.7	39.5	21.8	16	257	205
33104.W0464	16	60 - 70	Stainless 1.4542	19.0	29.0	34.6	14.0	36.7	39.5	21.8	16	257	220
33104.W0466	16	70 - 80	Stainless 1.4542	19.0	29.0	34.6	14.0	36.7	39.5	21.8	16	257	235



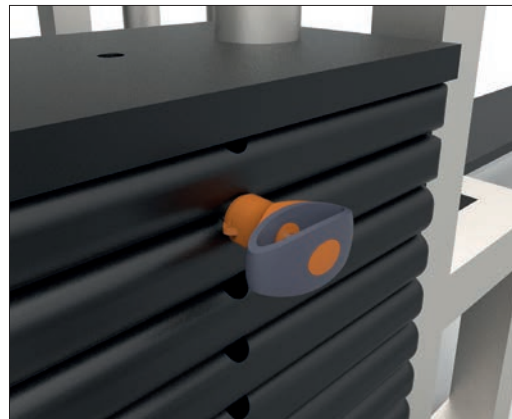


Sound Rigging Systems

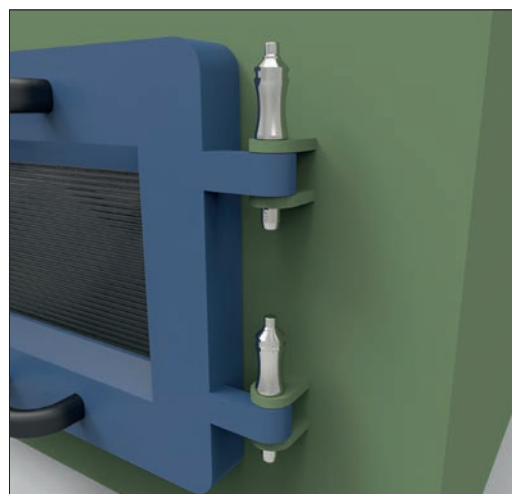
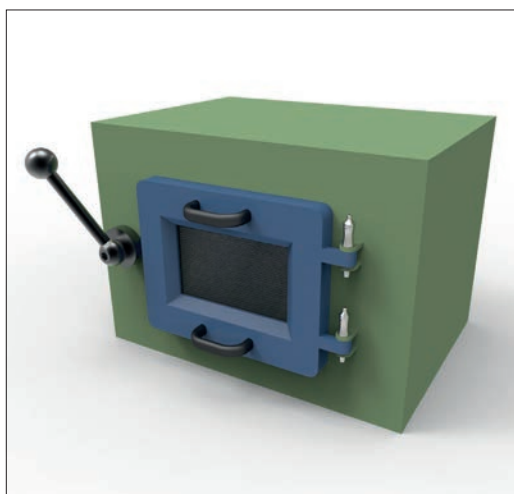
Ball lock pins on a sound rigging system. Offering secure fixing with high shear forces and easy fitting for operators at heights.

In addition full black powder coating of grip and actuation button eliminates glare from other stage lighting.

BALL LOCK PINS & QUICK RELEASE PINS



Gym Equipment



Scientific and Medical

ov-W33060.BK-A-TOR1706-W33250-A-TLA1066-a-rmh - Updated - 27-10-2022



Pin Material

1.4305 (AISI 303) - shear force approx. 60% of higher material version 1.4542

1.4542 (AISI 630) - identified by the ridge on the pin

CRES 17-4PH (AMS 5643) aviation standard



Handle Style



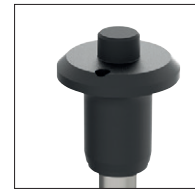
Plastic tri-star



T-handled, metal



L-handled, metal



Mushroom, metal



Single piece metal, contoured



Special plastic self-spring



Adjustable grip length, plastic



Key ring



Safety, metal

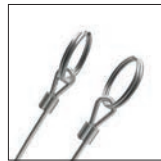


Mushroom Type B aviation



Type R aviation

Lanyards and Locating Bushes



Stainless wire - (coated) - 2 x key ring



Stainless wire - Key ring and fixing loop



Plastic - 2 x cable tie



Steel wire - (coated) - 2 x key ring



Stainless bead chain - 2 x key ring



Locating bushes

Actuation



Press = unlock
Release = lock (standard)



Press = unlock and position
Release = lock and simultaneous clamp



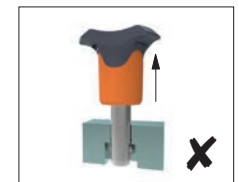
Simple spring loaded balls "pullout pin"

Important Note

Important Note: Ball lock pins are not suited to lifting applications!
For quick release lifting pins, see part 33400.



Shear force



Lifting force

Special Variations

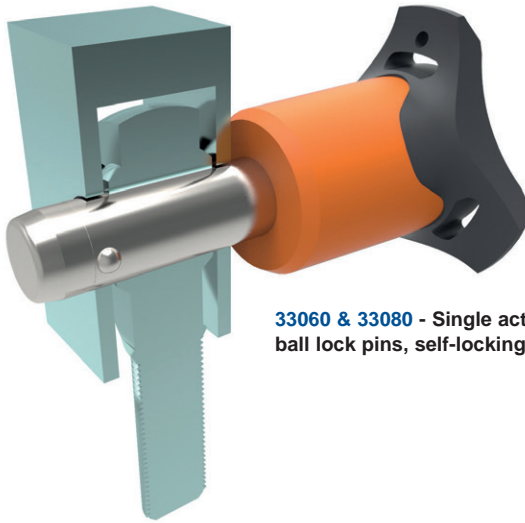


Variations on our standard designs are possible, please contact our sales team for technical assistance. Quick production on specials can be as little as 3 weeks.



Applications

- Positioning.
- Lifting.
- Locking.
- Indexing.
- Joining.



33060 & 33080 - Single acting ball lock pins, self-locking.



33194 - Single acting ball lock pins, self locking, simple finish.



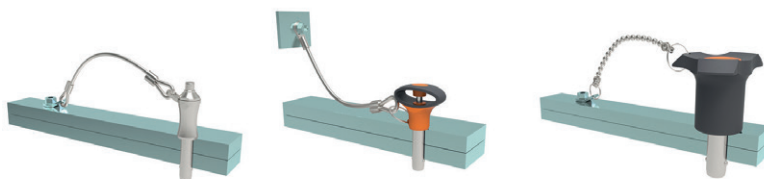
33140 - Socket pins, non-locking, spring loaded balls.



33100 - Single acting ball lock pin, self locking.



33180 - Clamping pins, with span compensation, self-locking.



33250 & 33270 - Lanyards.



33220 - Ball lock pins, single acting - L-handle