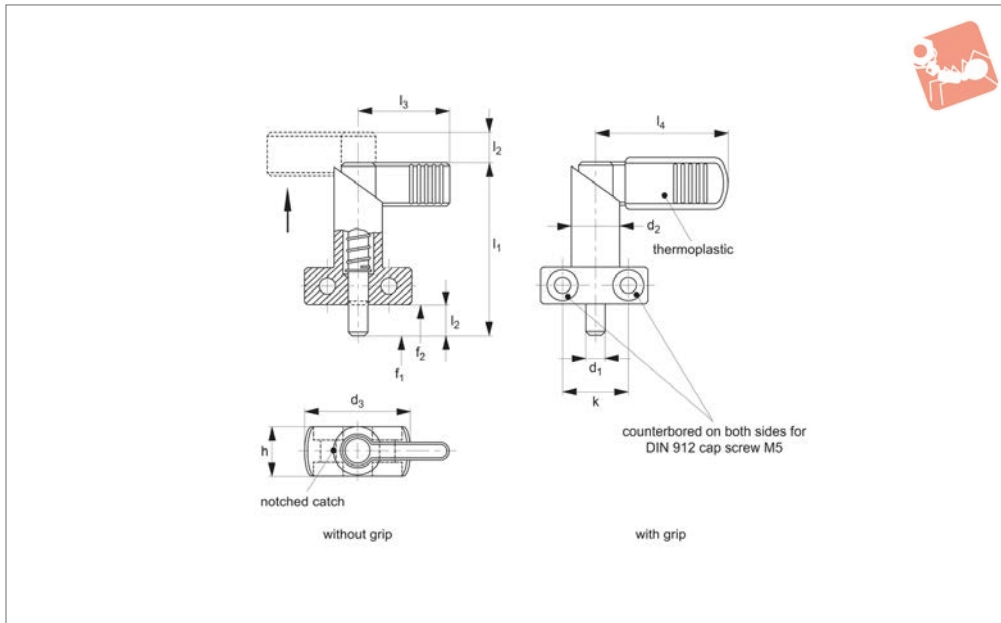




Index Plungers - Lever Grip

flange mounting - locking

Index Plunger & Pins



32520

INDEX PLUNGER & PINS

Material

Body & Lever: free cutting steel, blackened.
 Pin: steel, nitrided, black.
 Plastic Grip: thermoplastic, black, dull.

Technical Notes

Turn lever 180° to retract pin. To enable

pin to be held in retracted position, secure lever in notched catch on plunger body. Countersunk holes on both sides of mounting flange enable both right or left mounting.
 Plastic grip type, improves handling.
 Temperature resistance of type with plastic

grip is -30°C to +80°C.

Tips

Spring loads * = statistical average.

| Order No. | Type | d ₁ 0 -0.05 | l ₂ | d ₂ | d ₃ | h | k | l ₁ | l ₃ | l ₄ | s | Spring load F ₁ N ≈ | Spring load F ₂ N ≈ | Weight g |
|--------------------|--------------|---------------------------|----------------|----------------|----------------|----|----|----------------|----------------|----------------|----|--------------------------------------|--------------------------------------|-------------|
| 32520.W0376 | Without Grip | 6 | 10 | 16 | 35 | 16 | 20 | 56 | 32 | - | 12 | 12 | 32 | 82 |
| 32520.W0378 | Without Grip | 8 | 10 | 16 | 35 | 16 | 20 | 56 | 32 | - | 12 | 12 | 32 | 85 |
| 32520.W0379 | Without Grip | 8 | 12 | 20 | 40 | 20 | 22 | 69 | 37 | - | 15 | 21 | 58 | 163 |
| 32520.W0381 | Without Grip | 10 | 10 | 16 | 35 | 16 | 20 | 56 | 32 | - | 12 | 12 | 32 | 85 |
| 32520.W0382 | Without Grip | 10 | 12 | 20 | 40 | 20 | 22 | 69 | 37 | - | 15 | 21 | 58 | 167 |
| 32520.W0384 | Without Grip | 12 | 12 | 20 | 40 | 20 | 22 | 69 | 37 | - | 15 | 21 | 58 | 168 |
| 32520.W0386 | With Grip | 6 | 10 | 16 | 35 | 16 | 20 | 56 | - | 42 | 12 | 12 | 32 | 83 |
| 32520.W0388 | With Grip | 8 | 10 | 16 | 35 | 16 | 20 | 56 | - | 42 | 12 | 12 | 32 | 85 |
| 32520.W0389 | With Grip | 8 | 12 | 20 | 40 | 20 | 22 | 69 | - | 52 | 15 | 21 | 58 | 169 |
| 32520.W0391 | With Grip | 10 | 10 | 16 | 35 | 16 | 20 | 56 | - | 42 | 12 | 12 | 32 | 86 |
| 32520.W0392 | With Grip | 10 | 12 | 20 | 40 | 20 | 22 | 69 | - | 52 | 15 | 21 | 58 | 171 |
| 32520.W0394 | With Grip | 12 | 12 | 20 | 40 | 20 | 22 | 69 | - | 52 | 15 | 21 | 58 | 171 |

