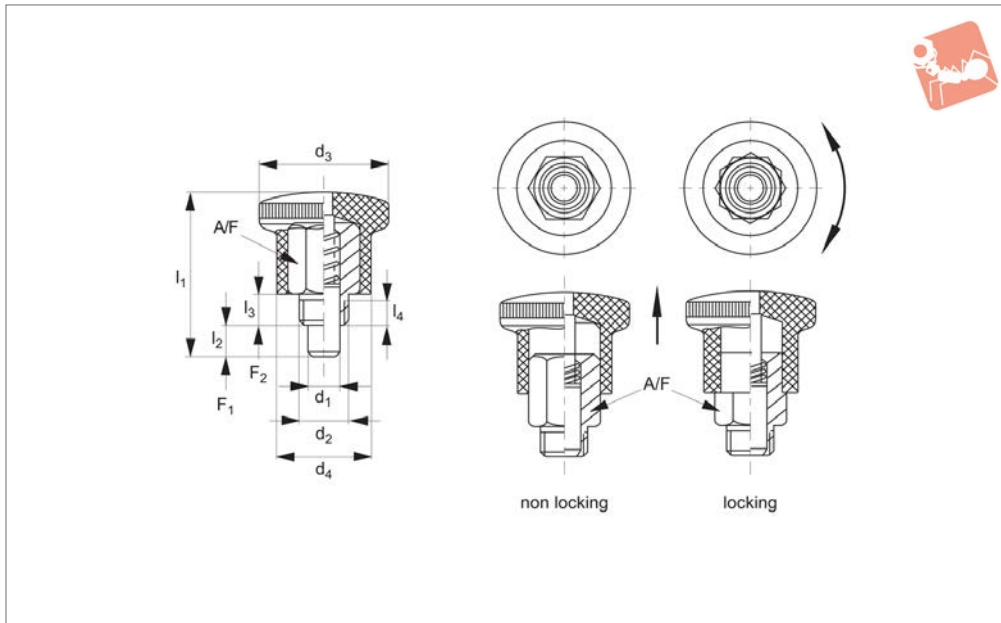




Index Plungers - Pull Grip

mini - for thin walled parts - extra fine thread

Index Plunger & Pins



32600

INDEX PLUNGER & PINS

Material

Free cutting steel type-

Body: free cutting steel, galvanized.
Pin: stainless steel 1.4305 (AISI 303).
Grip: thermoplastic PA 6, black.

Stainless steel type-

Body: stainless steel 1.4305 (AISI 303).
Pin: stainless steel 1.4305 (AISI 303).
Grip: thermoplastic PA 6, black.

Technical Notes

„Locking“ type- enable pin to be held in

retracted/non-projecting position; pull back grip, turn 90° to engage „locking“ on a notched catch.

„Non Locking“ type- pin simply springs back when grip released.

For positioning and indexing in the smallest of spaces. Particularly suited for use on sheet metal assemblies; e.g shopfitting displays, electrical cabinets and enclosures etc.

Extra fine thread

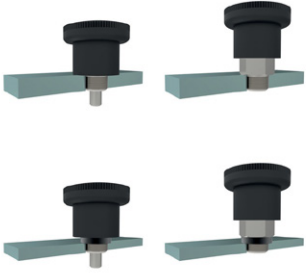
Temperature resistance from -30° to +80°C.

Distance collars no. 32750 can be used to adapt screw length.

Tips

Grip non-removable.
Spring loads * = statistical average.

Order No.	Material	Type	d ₁ 0 -0.06	d ₂	d ₃	d ₄	l ₁	l ₂ min.	l ₃	l ₄ min.	A/F	Spring load F ₁ N ≈	Spring load F ₂ N ≈	Weight g
32600.W0024	Steel	Non Locking	4	M 8x0,75	21	15	26,5	5	5	3,5	10	4,5	12	14
32600.W0026	Steel	Non Locking	5	M 8x0,75	21	15	26,5	5	5	3,5	10	4,5	12	14
32600.W0028	Steel	Non Locking	6	M10x1,00	25	18	34,0	7	7	4,5	12	5,0	18	25
32600.W0030	Steel	Non Locking	7	M10x1,00	25	18	34,0	7	7	4,5	12	5,0	18	26
32600.W0034	Steel	Locking	4	M 8x0,75	21	15	26,5	5	5	3,5	10	4,5	12	13
32600.W0036	Steel	Locking	5	M 8x0,75	21	15	26,5	5	5	3,5	10	4,5	12	14
32600.W0038	Steel	Locking	6	M10x1,00	25	18	34,0	7	7	4,5	12	5,0	18	24
32600.W0040	Steel	Locking	7	M10x1,00	25	18	34,0	7	7	4,5	12	5,0	18	25
32600.W0224	Stainless	Non Locking	4	M 8x0,75	21	15	26,5	5	5	3,5	10	4,5	12	14
32600.W0226	Stainless	Non Locking	5	M 8x0,75	21	15	26,5	5	5	3,5	10	4,5	12	14
32600.W0228	Stainless	Non Locking	6	M10x1,00	25	18	34,0	7	7	4,5	12	5,0	18	25
32600.W0230	Stainless	Non Locking	7	M10x1,00	25	18	34,0	7	7	4,5	12	5,0	18	26
32600.W0234	Stainless	Locking	4	M 8x0,75	21	15	26,5	5	5	3,5	10	4,5	12	13
32600.W0236	Stainless	Locking	5	M 8x0,75	21	15	26,5	5	5	3,5	10	4,5	12	14
32600.W0238	Stainless	Locking	6	M10x1,00	25	18	34,0	7	7	4,5	12	5,0	18	24
32600.W0240	Stainless	Locking	7	M10x1,00	25	18	34,0	7	7	4,5	12	5,0	18	25

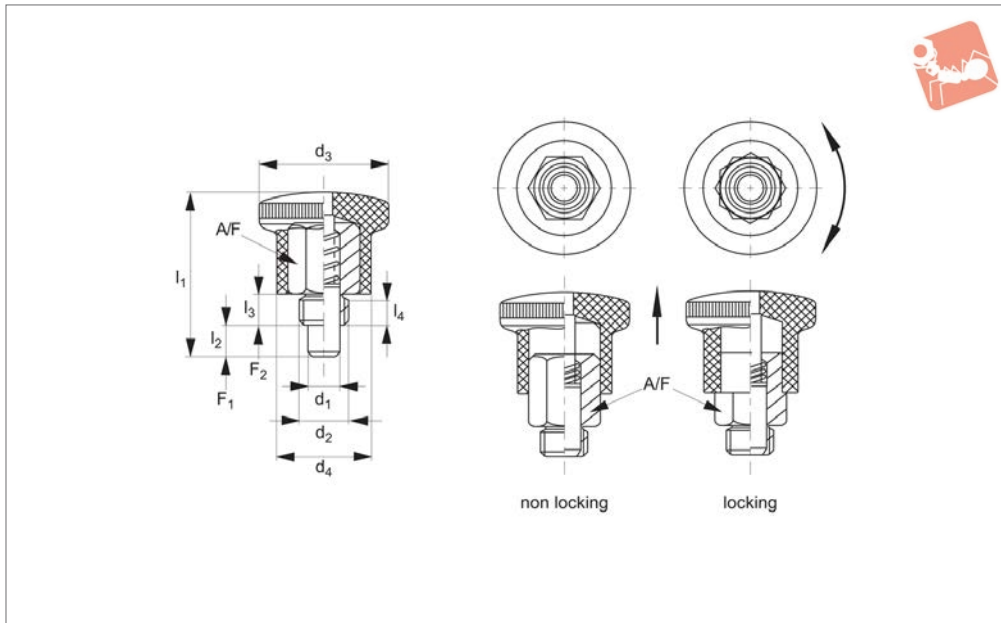




Index Plungers - Pull Grip

mini - for thin walled parts - fine thread

Index Plunger & Pins



32602

INDEX PLUNGER & PINS

Material

Free cutting steel type-

Body: free cutting steel, galvanized.
Pin: stainless steel 1.4305 (AISI 303).
Grip: thermoplastic PA 6, black.

Stainless steel type-

Body: stainless steel 1.4305 (AISI 303).
Pin: stainless steel 1.4305 (AISI 303).
Grip: thermoplastic PA 6, black.

Technical Notes

„Locking“ type- enable pin to be held in

retracted/non-projecting position; pull back grip, turn 90° to engage „locking“ on a notched catch.

„Non Locking“ type- pin simply springs back when grip released.

For positioning and indexing in the smallest of spaces. Particularly suited for use on sheet metal assemblies; e.g shopfitting displays, electrical cabinets and enclosures etc.

Temperature resistance from -30° to

+80°C.

Distance collars no. 32750 can be used to adapt screw length.

Fine Thread

Tips

Grip non-removable.
Spring loads * = statistical average.

Order No.	Material	Finish	d ₁	d ₂	d ₃	d ₄	l ₁	l ₂	l ₃	A/F	Spring load F ₁ N ≈	Spring load F ₂ N ≈	Weight g
32602.W0604	Steel	Non Locking	4	M 8x1,00	21	15	27.5	5	6	10	4	12	14
32602.W0608	Steel	Non Locking	5	M10x1,00	25	18	34.0	6	8	12	6	16	25
32602.W0612	Steel	Non Locking	6	M10x1,00	25	18	34.0	6	8	12	6	16	25
32602.W0616	Steel	Non Locking	6	M12x1,50	28	20	40.5	7	10	14	10	23	40
32602.W0620	Steel	Non Locking	7	M12x1,50	28	20	40.5	7	10	14	10	23	41
32602.W0624	Steel	Non Locking	8	M16x1,50	33	23	47.5	10	12	17	11	35	67
32602.W0628	Steel	Non Locking	10	M16x1,50	33	23	47.5	10	12	17	11	35	69
32602.W0632	Steel	Locking	4	M 8x1,00	21	15	27.5	5	6	10	4	12	13
32602.W0636	Steel	Locking	5	M10x1,00	25	18	34.0	6	8	12	6	16	23
32602.W0640	Steel	Locking	6	M10x1,00	25	18	34.0	6	8	12	6	16	25
32602.W0644	Steel	Locking	6	M12x1,50	28	20	40.5	7	10	14	10	23	39
32602.W0648	Steel	Locking	7	M12x1,50	28	20	40.5	7	10	14	10	23	39
32602.W0652	Steel	Locking	8	M16x1,50	33	23	47.5	10	12	17	11	35	65
32602.W0656	Steel	Locking	10	M16x1,50	33	23	47.5	10	12	17	11	35	67
32602.W0704	Stainless	Non Locking	4	M 8x1,00	21	15	27.5	5	6	10	4	12	14
32602.W0708	Stainless	Non Locking	5	M10x1,00	25	18	34.0	6	8	12	6	16	25
32602.W0712	Stainless	Non Locking	6	M10x1,00	25	18	34.0	6	8	12	6	16	25
32602.W0716	Stainless	Non Locking	6	M12x1,50	28	20	40.5	7	10	14	10	23	40
32602.W0720	Stainless	Non Locking	7	M12x1,50	28	20	40.5	7	10	14	10	23	41
32602.W0724	Stainless	Non Locking	8	M16x1,50	33	23	47.5	10	12	17	11	35	67
32602.W0728	Stainless	Non Locking	10	M16x1,50	33	23	47.5	10	12	17	11	35	69
32602.W0732	Stainless	Locking	4	M 8x1,00	21	15	27.5	5	6	10	4	12	13
32602.W0736	Stainless	Locking	5	M10x1,00	25	18	34.0	6	8	12	6	16	23
32602.W0740	Stainless	Locking	6	M10x1,00	25	18	34.0	6	8	12	6	16	25

Index Plunger & Pins



Index Plungers - Pull Grip mini - for thin walled parts - fine thread



Order No.	Material	Finish	d ₁	d ₂	d ₃	d ₄	l ₁	l ₂	l ₃	A/F	Spring load F ₁ N ≈	Spring load F ₂ N ≈	Weight g
32602.W0744	Stainless	Locking	6	M12x1,50	28	20	40.5	7	10	14	10	23	39
32602.W0748	Stainless	Locking	7	M12x1,50	28	20	40.5	7	10	14	10	23	39
32602.W0752	Stainless	Locking	8	M16x1,50	33	23	47.5	10	12	17	11	35	65
32602.W0756	Stainless	Locking	10	M16x1,50	33	23	47.5	10	12	17	11	35	67

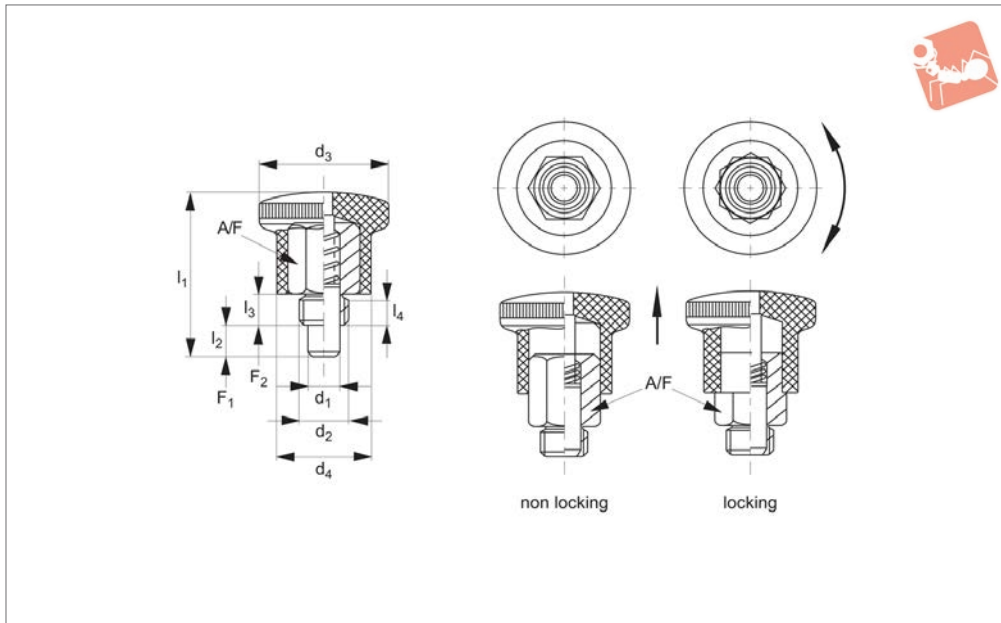
INDEX PLUNGER & PINS



Index Plungers - Pull Grip

mini - for thin walled parts - coarse thread

Index Plunger & Pins



32604

INDEX PLUNGER & PINS

Material

Free cutting steel type-

Body: free cutting steel, galvanized.
Pin: stainless steel 1.4305 (AISI 303).
Grip: thermoplastic PA 6, black.

Stainless steel type-

Body: stainless steel 1.4305 (AISI 303).
Pin: stainless steel 1.4305 (AISI 303).
Grip: thermoplastic PA 6, black.

Technical Notes

„Locking“ type- enable pin to be held in

retracted/non-projecting position; pull back grip, turn 90° to engage „locking“ on a notched catch.

„Non Locking“ type- pin simply springs back when grip released.

For positioning and indexing in the smallest of spaces. Particularly suited for use on sheet metal assemblies; e.g shopfitting displays, electrical cabinets and enclosures etc.

Temperature resistance from -30° to

+80°C.

Distance collars no. 32750 can be used to adapt screw length.

Coarse thread.

Tips

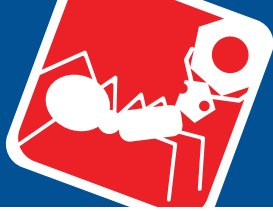
Grip non-removable.

Spring loads * = statistical average

Order No.	Material	Finish	d ₁	d ₂	d ₃	d ₄	l ₁	l ₂	l ₃	A/F	Spring load F ₁ N ≈	Spring load F ₂ N ≈	Weight g
32604.W0602	Steel	Non Locking	4	M 8x1,25	21	15	27.5	5	6	10	4	12	14
32604.W0606	Steel	Non Locking	5	M10x1,50	25	18	34.0	6	8	12	6	16	25
32604.W0610	Steel	Non Locking	6	M10x1,50	25	18	34.0	6	8	12	6	16	25
32604.W0614	Steel	Non Locking	6	M12x1,75	28	20	40.5	7	10	14	10	23	40
32604.W0618	Steel	Non Locking	7	M12x1,75	28	20	40.5	7	10	14	10	23	41
32604.W0622	Steel	Non Locking	8	M16x2,00	33	23	47.5	10	12	17	11	35	66
32604.W0626	Steel	Non Locking	10	M16x2,00	33	23	47.5	10	12	17	11	35	68
32604.W0630	Steel	Locking	4	M 8x1,25	21	15	27.5	5	6	10	4	12	13
32604.W0634	Steel	Locking	5	M10x1,50	23	18	34.0	6	8	12	6	16	23
32604.W0638	Steel	Locking	6	M10x1,50	25	18	34.0	6	8	12	6	16	24
32604.W0642	Steel	Locking	6	M12x1,75	28	20	40.5	7	10	14	10	23	38
32604.W0646	Steel	Locking	7	M12x1,75	28	20	40.5	7	10	14	10	23	39
32604.W0650	Steel	Locking	8	M16x2,00	33	23	47.5	10	12	17	11	35	64
32604.W0654	Steel	Locking	10	M16x2,00	33	23	47.5	10	12	17	11	35	66
32604.W0702	Stainless	Non Locking	4	M 8x1,25	21	15	27.5	5	6	10	4	12	14
32604.W0706	Stainless	Non Locking	5	M10x1,50	25	18	34.0	6	8	12	6	16	25
32604.W0710	Stainless	Non Locking	6	M10x1,50	25	18	34.0	6	8	12	6	16	25
32604.W0714	Stainless	Non Locking	6	M12x1,75	28	20	40.5	7	10	14	10	23	40
32604.W0718	Stainless	Non Locking	7	M12x1,75	28	20	40.5	7	10	14	10	23	41
32604.W0722	Stainless	Non Locking	8	M16x2,00	33	23	47.5	10	12	17	11	35	66
32604.W0726	Stainless	Non Locking	10	M16x2,00	33	23	47.5	10	12	17	11	35	68
32604.W0730	Stainless	Locking	4	M 8x1,25	21	15	27.5	5	6	10	4	12	13
32604.W0734	Stainless	Locking	5	M10x1,50	23	18	34.0	6	8	12	6	16	23
32604.W0738	Stainless	Locking	6	M10x1,50	25	18	34.0	6	8	12	6	16	24



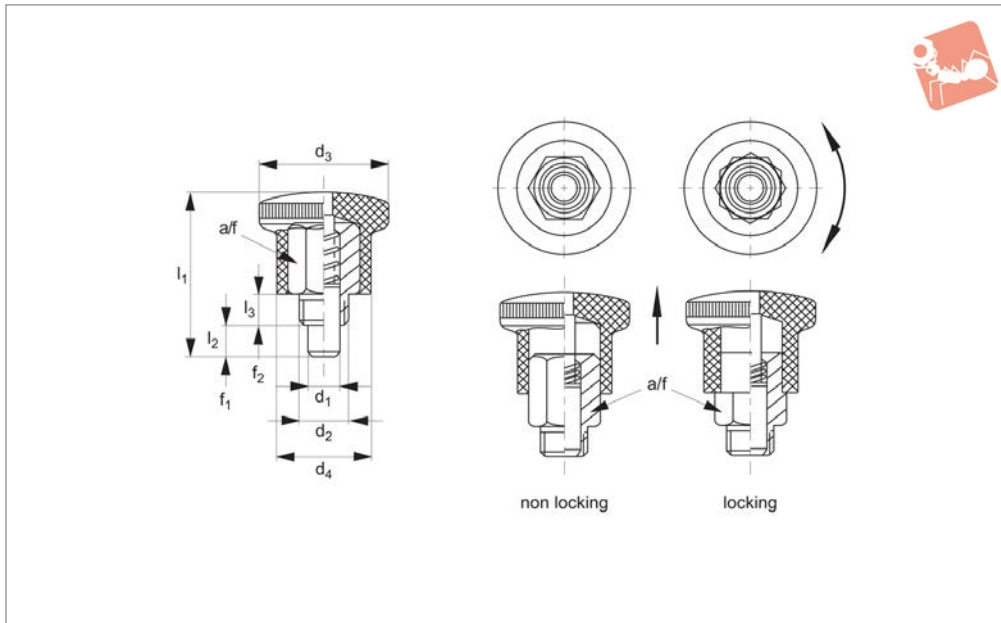
Order No.	Material	Finish	d ₁	d ₂	d ₃	d ₄	l ₁	l ₂	l ₃	A/F	Spring load F ₁ N ≈	Spring load F ₂ N ≈	Weight g
32604.W0742	Stainless	Locking	6	M12x1,75	28	20	40.5	7	10	14	10	23	38
32604.W0746	Stainless	Locking	7	M12x1,75	28	20	40.5	7	10	14	10	23	39
32604.W0750	Stainless	Locking	8	M16x2,00	33	23	47.5	10	12	17	11	35	64
32604.W0754	Stainless	Locking	10	M16x2,00	33	23	47.5	10	12	17	11	35	66



Index Plungers - Pull Grip

mini - for thin walled parts - extra fine thread

Index Plunger & Pins



32606

INDEX PLUNGER & PINS

Material

Stainless steel type-

Body: stainless steel 1.4305 (AISI 303).
Pin: stainless steel 1.4305 (AISI 303).
Grip: stainless steel 1.4308 (AISI 304).

Technical Notes

„**Locking**” type- enable pin to be held in retracted/non-projecting position; pull back grip, turn 90° to engage ‚locking’ on a

notched catch.

„**Non Locking**” type- pin simply springs back when grip released.

For positioning and indexing in the smallest of spaces. Particularly suited for use on sheet metal assemblies; e.g shopfitting displays, electrical cabinets and enclosures etc.

Extra fine thread

Temperature resistance up to 250°C.
Distance collars no. 32750 can be used to adapt screw length.

Tips

Grip non-removable.
Spring loads * = statistical average.

Order No.	Type	d ₁ 0,1-0,06	d ₂	d ₃	d ₄	l ₁	l ₂ min.	l ₃	A/F	Spring load F ₁ N ≈	Spring load F ₂ N ≈	Weight g
32606.W1102	Non-Locking	4	M 8	21	15	27.5	5	6	10	4	12	28
32606.W1104	Non-Locking	4	M 8x1	21	15	27.5	5	6	10	4	12	28
32606.W1106	Non-Locking	5	M10	25	18	34.0	6	8	12	6	16	49
32606.W1108	Non-Locking	5	M10x1	25	18	34.0	6	8	12	6	16	50
32606.W1110	Non-Locking	6	M10	25	18	34.0	6	8	12	6	16	50
32606.W1112	Non-Locking	6	M10x1	25	18	34.0	6	8	12	6	16	50
32606.W1114	Non-Locking	6	M12	28	20	40.5	7	10	14	10	23	74
32606.W1116	Non-Locking	6	M12x1,5	28	20	40.5	7	10	14	10	23	75
32606.W1118	Non-Locking	7	M12	28	20	40.5	7	10	14	10	23	75
32606.W1120	Non-Locking	7	M12x1,5	28	20	40.5	7	10	14	10	23	75
32606.W1122	Non-Locking	8	M16	33	23	47.5	10	12	17	11	34	110
32606.W1124	Non-Locking	8	M16x1,5	33	23	47.5	10	12	17	11	35	113
32606.W1126	Non-Locking	10	M16	33	23	47.5	10	12	17	11	35	113
32606.W1128	Non-Locking	10	M16x1,5	33	23	47.5	10	12	17	11	35	113
32606.W1130	Locking	4	M 8	21	15	27.5	5	6	10	4	12	28
32606.W1132	Locking	4	M 8x1	21	15	27.5	5	6	10	4	12	28
32606.W1134	Locking	5	M10	25	18	34.0	6	8	12	6	16	49
32606.W1136	Locking	5	M10x1	25	18	34.0	6	8	12	6	16	50
32606.W1138	Locking	6	M10	25	18	34.0	6	8	12	6	16	50
32606.W1140	Locking	6	M10x1	25	18	34.0	6	8	12	6	16	50
32606.W1142	Locking	6	M12	28	20	40.5	7	10	14	10	23	74
32606.W1144	Locking	6	M12x1,5	28	20	40.5	7	10	14	10	23	75
32606.W1146	Locking	7	M12	28	20	40.5	7	10	14	10	23	75
32606.W1148	Locking	7	M12x1,5	28	20	40.5	7	10	14	10	23	75
32606.W1150	Locking	8	M16	33	23	47.5	10	12	17	11	35	110
32606.W1152	Locking	8	M16x1,5	33	23	47.5	10	12	17	11	35	113
32606.W1154	Locking	10	M16	33	23	47.5	10	12	17	11	35	113

Index Plunger & Pins



Index Plungers - Pull Grip

mini - for thin walled parts - extra fine thread

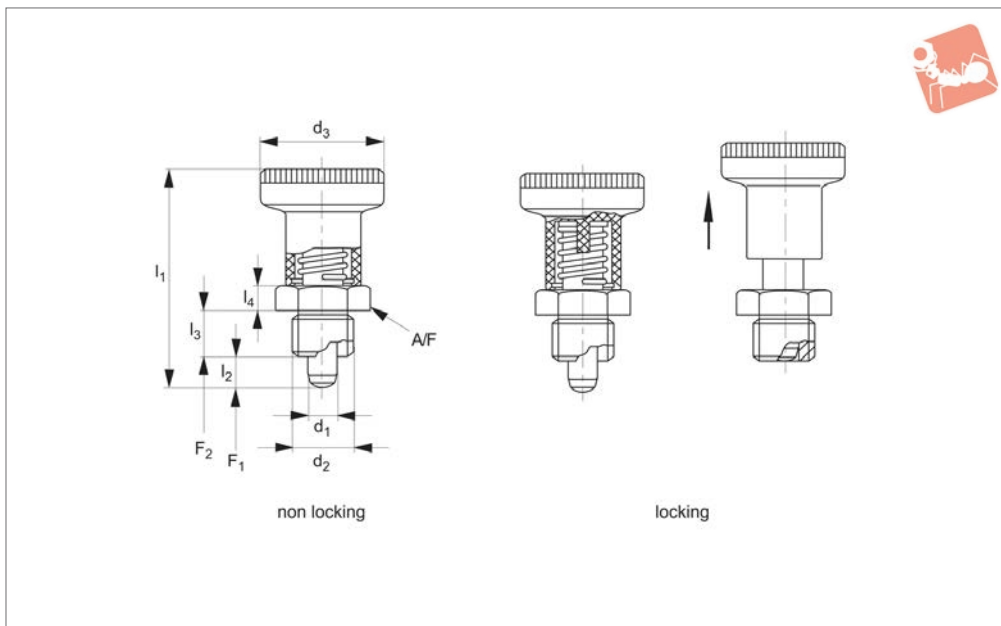


Order No.	Type	d_1 0 -0.06	d_2	d_3	d_4	l_1	l_2 min.	l_3	A/F	Spring load F_1 N ≈	Spring load F_2 N ≈	Weight g
32606.W1156	Locking	10	M16x1,5	33	23	47.5	10	12	17	11	35	113



Index Plungers - Pull Grip for thin walled parts

Index Plunger & Pins



32730

INDEX PLUNGER & PINS

Material

Free Cutting Steel type-

Body: free cutting steel, blackened.

Pin: steel, hardened.

Grip: thermoplastic PA6, black.

Stainless steel type -

Body: stainless steel 1.4305 (AISI 303).

Pin: stainless steel 1.4305 (AISI 303),
nickel plated.

Grip: thermoplastic PA6, black.

Technical Notes

„Locking“ type- enable pin to be held in retracted/non-projecting position; pull back grip, turn 90° to engage ‚locking‘ on a notched catch.

„Non Locking“ type- pin simply springs back when grip released.
Short bodied index plungers for compact applications. Hexagon collar improves leverage for secure installation.

Temperature resistance from -30° to +80°C.

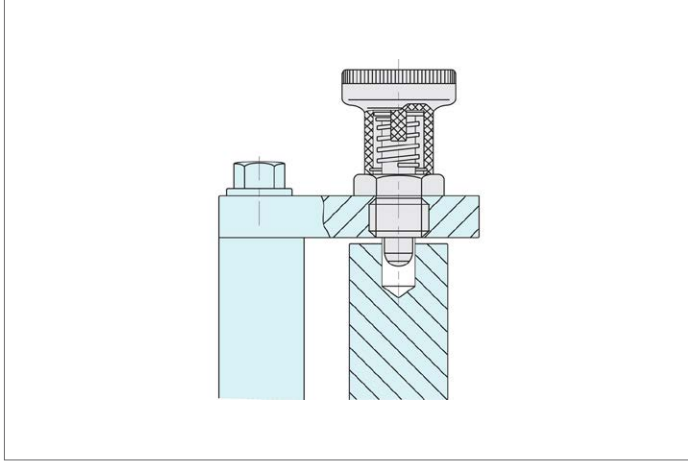
Lock nuts sold separately. See Products 65690 and 65692

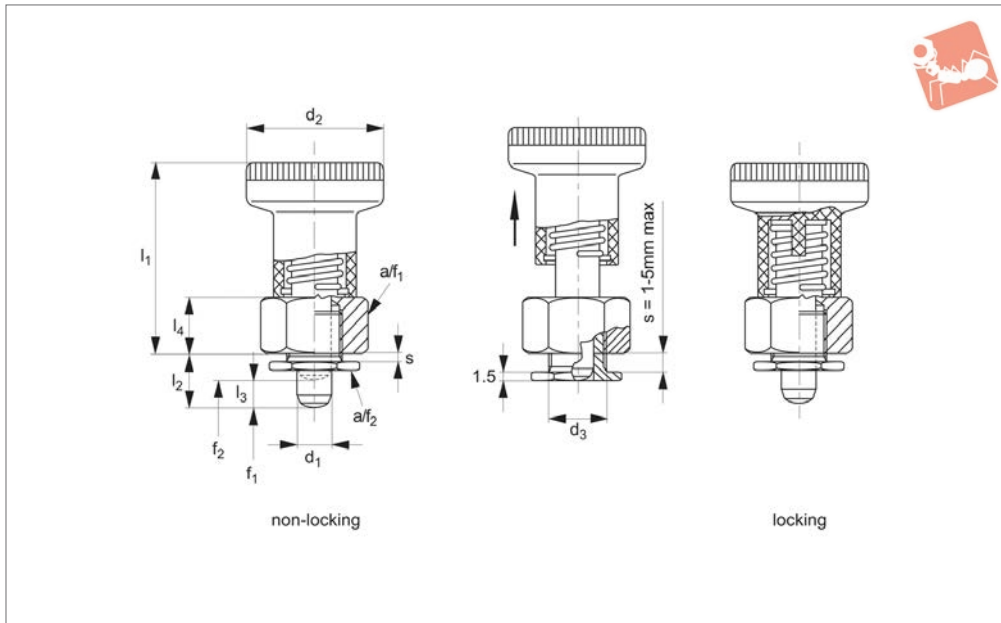
Tips

Distance collars no. 32750 can be used to adapt screw length.

Spring loads * = statistical average.

Order No.	Material	Type	d ₁ -0.02 -0.04	d ₂	d ₃	l ₁ ≈	l ₂ min.	l ₃ -0.15	l ₄	A/F	Spring load F ₁ N ≈	Spring load F ₂ N ≈	Weight g
32730.W0226	Non Locking	Steel	6	M12x1,5	25	45	6	10	5	17	7	19	35.0
32730.W0228	Non Locking	Steel	8	M16x1,5	31	54	8	12	6	19	14	24	62.0
32730.W0236	Locking	Steel	6	M12x1,5	25	45	6	10	5	17	7	19	35.0
32730.W0238	Locking	Steel	8	M16x1,5	31	54	8	12	6	19	14	24	61.0
32730.W0246	Non Locking	Stainless	6	M12x1,5	25	45	6	10	5	17	7	19	35.0
32730.W0248	Non Locking	Stainless	8	M16x1,5	31	54	8	12	6	19	14	24	62.0
32730.W0256	Locking	Stainless	6	M12x1,5	25	45	6	10	5	17	7	19	35.0
32730.W0258	Locking	Stainless	8	M16x1,5	31	54	8	12	6	19	14	24	61.0





32770

INDEX PLUNGER & PINS

Material

Body: steel galvanised.
Pin: stainless steel 1.4305, nickel plated.
Grip: thermoplastic PA6, black.

Technical Notes

„Locking“ type- enable pin to be held in retracted position; pull back grip, turn 90°

to engage ‚locking‘ on a notched catch.
„Non Locking“ type- pin simply springs back when grip released.
For installation on thin walled panels/ sheet metal of thickness 1 to 5mm.
Pin does not fully retract in all cases - protrusion of pin ‚l₃‘ dependant upon

panel thickness of installation ‚s‘
Temperature resistance -30°C to +80°C

Tips

Grip non-removable.
Spring loads* = statistical average.

Order No.	Type	d ₁	d ₂	d ₃	l ₁	l ₂	l ₃	l ₄	s	Spring load F ₁ N	Spring load F ₂ N	A/F ₁	A/F ₂	Weight g
32770.W0266	Locking	6	25	10	34	8.5	6.0	10	1-5	8.5	22	17	14	39
32770.W0267	Locking	6	25	10	34	10.5	6.0	10	1-5	8.5	22	17	14	40
32770.W0268	Locking	8	31	12	40	10.0	7.5	12	1-5	15.5	28	19	16	63
32770.W0269	Locking	8	31	12	40	12.0	7.5	12	1-5	15.5	28	19	16	63
32770.W0286	Non Locking	6	25	10	34	8.5	6.0	10	1-5	8.5	22	17	14	39
32770.W0287	Non Locking	6	25	10	34	10.5	6.0	10	1-5	8.5	22	17	14	39
32770.W0288	Non Locking	8	31	12	40	10.0	7.5	12	1-5	15.5	28	19	16	61
32770.W0289	Non Locking	8	31	12	40	12.0	7.5	12	1-5	15.5	28	19	16	62
32770.W0299	Spanner = a/f2	-	-	-	-	-	-	-	-	-	-	-	-	27



A Wide Selection of Solutions

Applications

- Locating and positioning.
- Indexing.
- Securing.
- Positive locking.
- Rapid adjustment of all kinds of tables, platforms and fixtures.
- Machine and fixture design.
- OEM products.
- Sports equipment.
- Medical aides (wheelchairs etc.).
- Aerospace.
- Machine cabinets.

Materials



Steel with plastic grip



Stainless with plastic grip



Stainless body and grip

Locking or Non Locking



Locking (park)



Non locking (spring back)



Push pull

Handling and Actuation Methods



Standard grip



Lever grip



T-handle



Pull ring



Threaded for bespoke handle

Mounting Options



Fine threaded (standard)



Coarse thread



Flange mount



Thin wall mount



Weldable

Additional Technical Notes

- Unless otherwise stated, grips on index plungers are not removable.
- Many of the pins on index plungers are toleranced to either the pin or the hole. Please refer to the specific product table.
- Index plungers are not recommended for shear load applications.

	Pin Tol.	Hole Tol.
①	h_9	+0,03 +0,08
②	-0,02 -0,04	H_7

Spring Loads

- s** Stroke, or movement of plunger's pin.
- f₁** The force required in Newtons (N) to overcome the static strength of the spring and achieve initial movement of the plunger's pin.
- f₂** The force required in Newtons (N) to fully compress the spring until the pin is fully depressed against the plunger's body.

