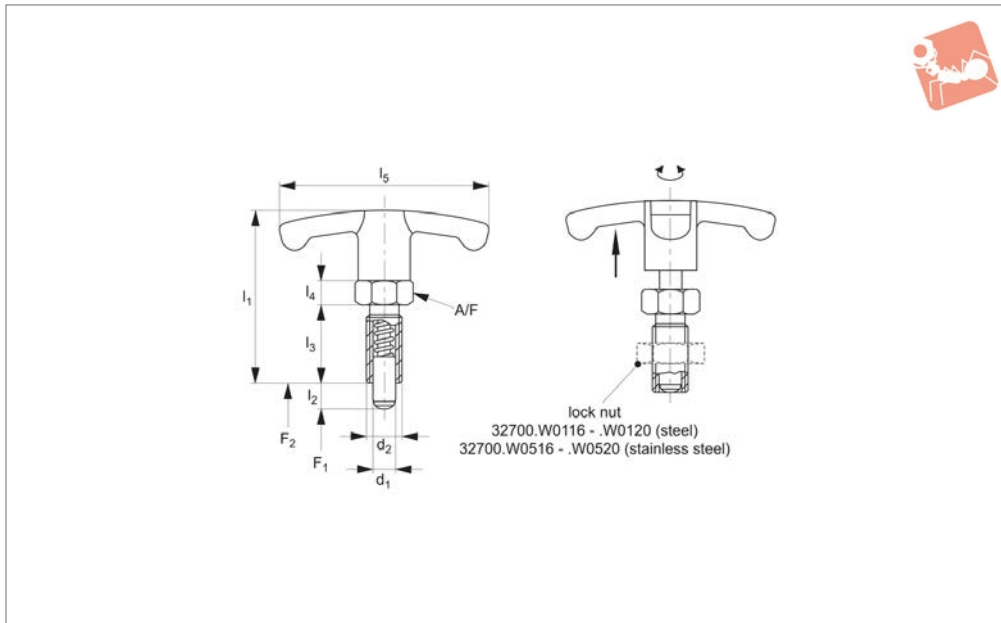




Index Plungers - T-handle Grip

compact - non locking

Index Plunger & Pins



32502

INDEX PLUNGER & PINS

Material

Free cutting Steel Type-

Body: Free cutting steel, blackened.
Pin: Steel, hardened.
Grip: Thermoplastic PA6, black, dull.

Stainless Steel Type-

Body: Stainless steel 1.4305 (AISI 303).
Pin: Stainless steel 1.4305 (AISI 303), nickel plated.
Grip: Thermoplastic PA6, black, dull.

Technical Notes

T-handle grip makes for improved hand-

ling, especially when operator is using safety gloves etc.

Thread recess on body allows full engagement of thread length. Hexagon collar improves leverage for secure installation.

„Non Locking“ type- pin simply springs back when grip released.

Lock nuts sold separately. See products 65690 and 65692

Tips

Distance collar no. 32750 can be used to adapt screw length.

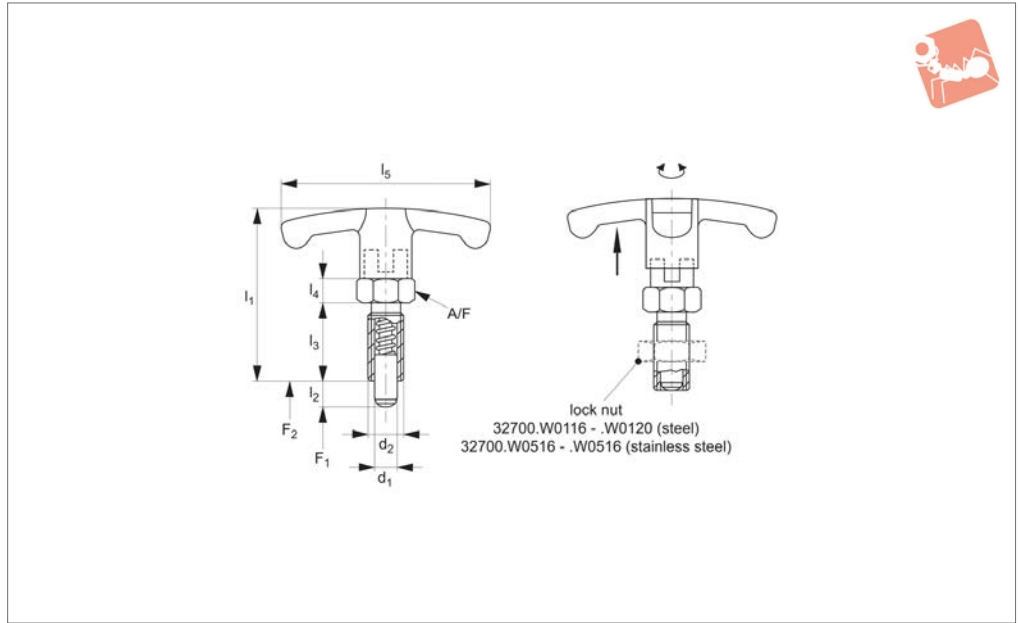
Grip non-removable.

Spring loads* = statistical average.

Order No.	Type	Material	d ₁ -0.02 -0.04	l ₂	d ₂	l ₁	l ₃	l ₄	l ₅	A/F	Spring load N F ₁	Spring load N F ₂	Weight g
32502.W0820	Non Locking	Steel	6	6	M12x1,5	48	22	6	54	14	6,5	19	31,0
32502.W0822	Non Locking	Steel	6	9	M12x1,5	48	22	6	54	14	6,0	25	32,0
32502.W0824	Non Locking	Steel	8	8	M16x1,5	59	26	8	59	17	8,5	26	64,0
32502.W0826	Non Locking	Steel	8	12	M16x1,5	59	26	8	59	17	8,5	28	65,0
32502.W0828	Non Locking	Steel	10	12	M16x1,5	59	26	8	59	17	9,5	38	66,0
32502.W0830	Non Locking	Steel	12	15	M20x1,5	68	33	10	59	22	11,5	40	120,0
32502.W0920	Non Locking	Stainless steel	6	6	M12x1,5	48	22	6	54	14	6,5	19	31,0
32502.W0922	Non Locking	Stainless steel	6	9	M12x1,5	48	22	6	54	14	6,0	25	32,0
32502.W0924	Non Locking	Stainless steel	8	8	M16x1,5	59	26	8	59	17	8,5	26	64,0
32502.W0926	Non Locking	Stainless steel	8	12	M16x1,5	59	26	8	59	17	8,5	28	65,0
32502.W0928	Non Locking	Stainless steel	10	12	M16x1,5	59	26	8	59	17	9,5	38	66,0
32502.W0930	Non Locking	Stainless steel	12	15	M20x1,5	68	33	10	59	22	11,5	40	120,0



32504



Material

Free cutting Steel Type-

Body: free cutting steel, blackened.

Pin: steel, hardened.

Grip: thermoplastic PA6, black, dull.

Stainless Steel Type-

Body: stainless steel 1.4305 (AISI 303).

Pin: stainless steel 1.4305 (AISI 303), nickel plated.

Grip: thermoplastic PA6, black, dull.

Technical Notes

T-handle grip makes for improved hand-

ling, especially when operator is using safety gloves etc.

Thread recess on body allows full engagement of thread length. Hexagon collar improves leverage for secure installation.

„Locking“ type- enable pin to be held in retracted/non-projecting position; pull back grip, turn 90° to engage ‚locking‘ on a notched catch.

Lock nuts sold separately. See products 65690 and 65692

Tips

Distance collars no. 32750 can be used to adapt screw length.

Grip non-removable.

Spring loads* = statistical average.

Order No.	Type	Material	d ₁	l ₂	d ₂	l ₁	l ₃	l ₄	l ₅	A/F	Spring load F ₁ N ≈	Spring load F ₂ N ≈	Weight g
32504.W0832	Locking	Steel	6	6	M12x1,5	48	22	6	54	14	6.5	19	33.0
32504.W0834	Locking	Steel	6	9	M12x1,5	48	22	6	54	14	6.0	25	34.0
32504.W0836	Locking	Steel	8	8	M16x1,5	59	26	8	59	17	8.5	26	68.0
32504.W0838	Locking	Steel	8	12	M16x1,5	59	26	8	59	17	8.5	28	71.0
32504.W0840	Locking	Steel	10	12	M16x1,5	59	26	8	59	17	9.5	38	72.0
32504.W0842	Locking	Steel	12	15	M20x1,5	68	33	10	59	22	11.5	40	127.0
32504.W0932	Locking	Stainless	6	6	M12x1,5	48	22	6	54	14	6.5	19	33.0
32504.W0934	Locking	Stainless	6	9	M12x1,5	48	22	6	54	14	6.0	25	34.0
32504.W0936	Locking	Stainless	8	8	M16x1,5	59	26	8	59	17	8.5	26	68.0
32504.W0938	Locking	Stainless	8	12	M16x1,5	59	26	8	59	17	8.5	28	71.0
32504.W0940	Locking	Stainless	10	12	M16x1,5	59	26	8	59	17	9.5	38	72.0
32504.W0942	Locking	Stainless	12	15	M20x1,5	68	33	10	59	22	11.5	40	127.0



A Wide Selection of Solutions

- Locating and positioning.
- Indexing.
- Securing.
- Positive locking.
- Rapid adjustment of all kinds of tables, platforms and fixtures.
- Machine and fixture design.
- OEM products.
- Sports equipment.
- Medical aides (wheelchairs etc.).
- Aerospace.
- Machine cabinets.

Applications

Materials

Locking or Non Locking

Handling and Actuation Methods

Mounting Options

Additional Technical Notes

Spring Loads



Steel with plastic grip



Stainless with plastic grip



Stainless body and grip



Locking (park)



Non locking (spring back)



Push pull



Standard grip



Lever grip



T-handle



Pull ring



Threaded for bespoke handle



Fine threaded (standard)



Coarse thread



Flange mount



Thin wall mount



Weldable

- Unless otherwise stated, grips on index plungers are not removable.
- Many of the pins on index plungers are toleranced to either the pin or the hole. Please refer to the specific product table.
- Index plungers are not recommended for shear load applications.

	Pin Tol.	Hole Tol.
①	h_9	+0,03 +0,08
②	-0,02 -0,04	H_7

s Stroke, or movement of plunger's pin.

f₁ The force required in Newtons (N) to overcome the static strength of the spring and achieve initial movement of the plunger's pin.

f₂ The force required in Newtons (N) to fully compress the spring until the pin is fully depressed against the plunger's body.

