

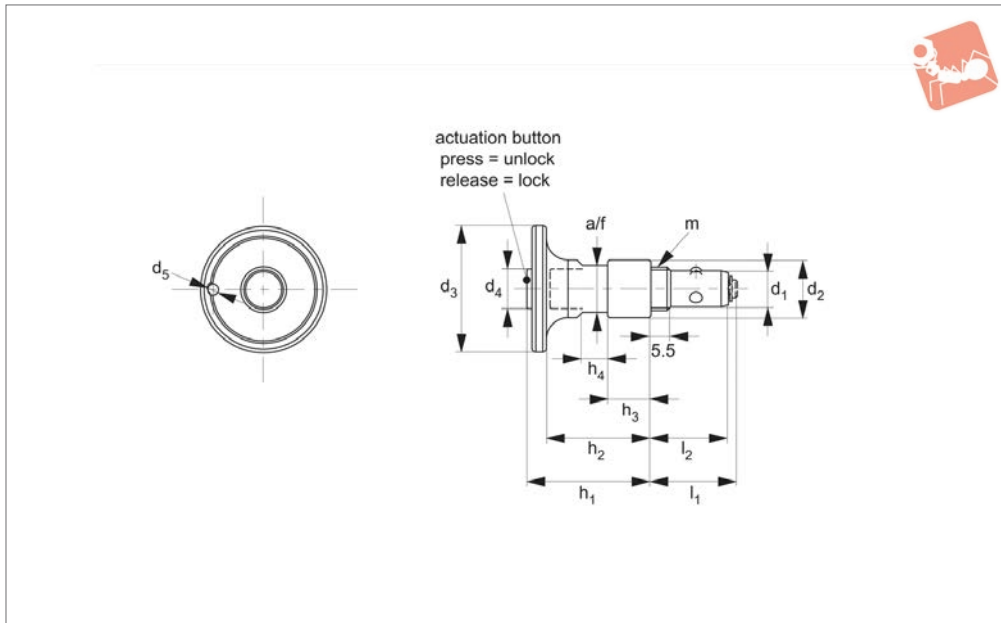


# One-Touch Fastener - Ball Locking

push button lock - recessed button - steel



## One Touch Fasteners



**33910**

ONE TOUCH FASTENERS

### Material

Body & button: steel, nickel plated.  
 Ball: stainless steel.  
 Coil ring: stainless steel.  
 O-Ring: fluororubber.

### Technical Notes

One-touch fasteners are the ideal solution for applications requiring rapid and recurring change over of tooling or set ups. Use in applications as diverse as bottling processes, machine covers, changing of cogs and drive belts. One-touch fasteners

provide a quick, simple and secure change over solution - no time waste in unfastening screws or other permanent fixings, and no opportunity for lost fixings in your machinery.  
 Temperature resistant to 180°C.

### Tips

Secure one-touch fasteners to your assembly with lanyards and retaining cables, see part no. 33250.

### Important Notes

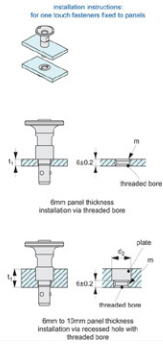
Suitable for panels/enclosures of 6 to 10mm thickness. For locating bushes see part no. 33920.  
 Recessed button handle means button is not exposed to accidental activation for added security.

Actuation:  
 push button: unlock (to pass pin through panels)  
 release button: lock to securely fasten.

Order No.	For single panel thickness	$d_1$ -0.05   -0.10	$d_2$	$d_3$	$d_4$	$d_5$	$h_1$	$h_2$	Weight g
<b>33910.W1006</b>	6-10	6	12	25	8	-	22.0	18	30
<b>33910.W1610</b>	6-16	10	16	35	11	3	34.5	29	30

Order No.	$h_3$	$h_4$	$l_1$	$l_2$	$m$	A/F	Clamping force N	Shear strength N	Tensile strength N
<b>33910.W1006</b>	6	5.5	21.0	19.0	M 8x1,25	10	30	3000	500
<b>33910.W1610</b>	12	7.0	23.5	21.5	M12x1,50	13	50	9000	1500



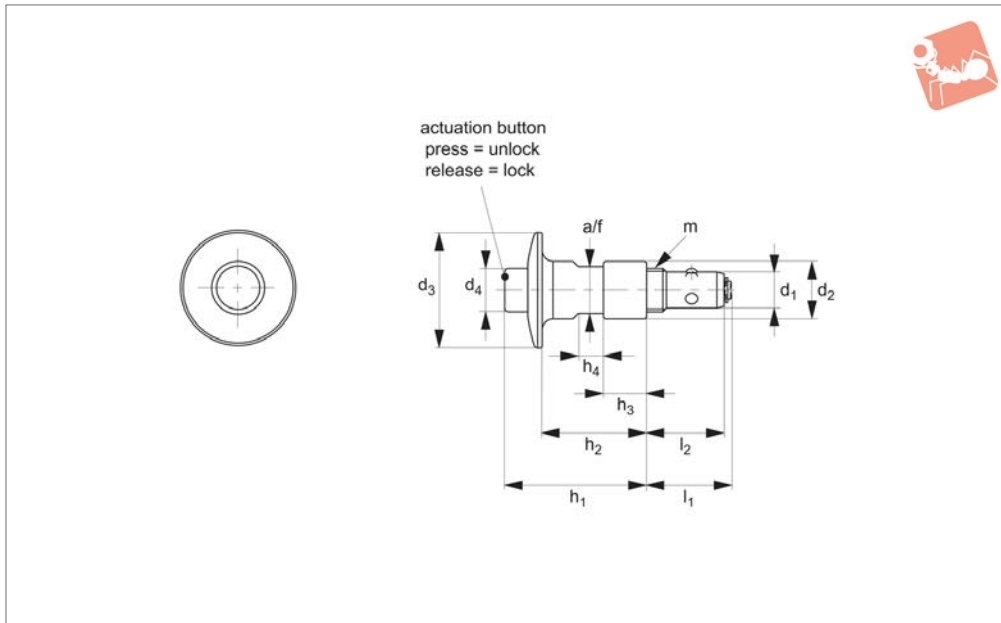


# One-Touch Fastener - Ball Locking

push button lock - button handle - stainless steel



## One Touch Fasteners



**33912**

ONE TOUCH FASTENERS

### Material

Body: stainless steel.  
 Button: stainless steel, nickel plated.  
 Ball & coil ring: stainless steel.  
 O-Ring: fluororubber.

### Technical Notes

One-touch fasteners are the ideal solution for applications requiring rapid and recurring change over of tooling or set ups. Use

in applications as diverse as bottling processes, machine covers, changing of cogs and drive belts. One-touch fasteners provide a quick, simple and secure change over solution - no time waste in unfastening screws or other permanent fixings, and no opportunity for lost fixings in your machinery.  
 Temperature resistant to 180°C.

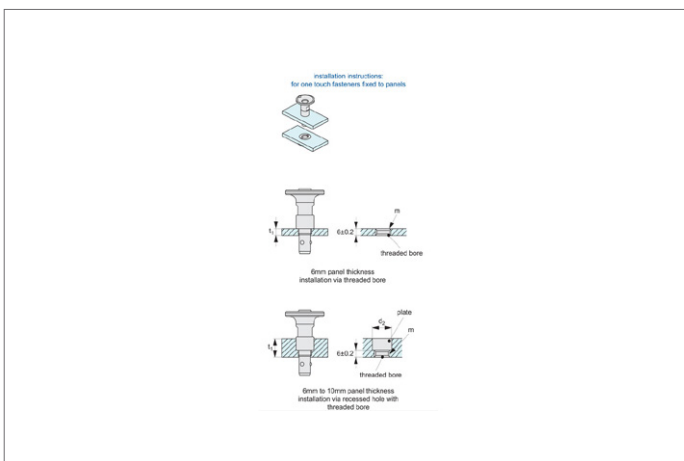
### Important Notes

Suitable for panels/enclosures of 6 to 10mm thickness.  
 For locating bushes see part no. 33920.

Actuation:  
 push button: unlock (to pass pin through panels)  
 release button: lock to securely fasten.

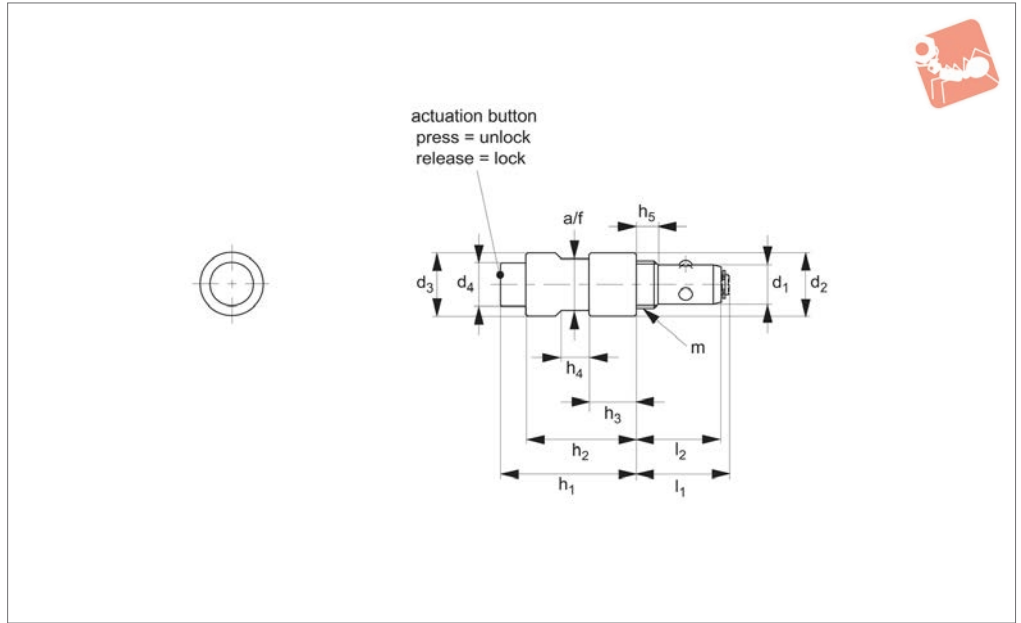
Order No.	For single panel thickness	$d_1$ -0.05 -0.10	$d_2$	$d_3$	$d_4$	$h_1$	$h_2$	Weight g
<b>33912.W1006</b>	6-10	6	12	23	8	26.0	18	30
<b>33912.W1610</b>	6-16	10	16	32	12	39.4	29	75

Order No.	$h_3$	$h_4$	$l_1$	$l_2$	$m$	A/F	Clamping force N	Shear strength N	Tensile strength N
<b>33912.W1006</b>	6	5.5	21.0	19.0	M 8x1,25	10	30	3000	500
<b>33912.W1610</b>	12	7.0	23.5	21.5	M12x1,50	13	50	9000	1500





## 33914



### Material

Body & button: steel, nickel plated.  
 Ball & coil ring: stainless steel.  
 Snap Ring: stainless steel.

### Technical Notes

One-touch fasteners are the ideal solution for applications requiring rapid and recurring change over of tooling or set ups. Use in applications as diverse as bottling processes, machine covers, changing of

cogs and drive belts. One-touch fasteners provide a quick, simple and secure change over solution - no time wasted in unfastening screws or other permanent fixings, and no opportunity for lost fixings in your machinery.  
 Temperature resistant to 180°C.

### Important Notes

Suitable for panels/enclosures of 6 to 16mm thickness.

For locating bushes see part no. 33920.

### Actuation:

push button: unlock (to pass pin through panels)  
 release button: lock to securely fasten.

**Note: One-touch fastener 33914 is not suitable for installation unattached from panel.**

Order No.	For single panel thickness		$d_1$ -0.05 -0.10	$d_2$	$d_3$	$d_4$	$h_1$	$h_2$	$h_3$	Weight g
33914.W1006	6-10		6	12	12	8	22.0	17.5	6	30
33914.W1610	6-16		10	16	16	11	34.4	28.0	12	50

Order No.	$h_4$	$h_5$	$l_1$	$l_2$	$m$	A/F	Clamping force N	Shear strength N	Tensile strength N
33914.W1006	5.5	5.5	21.0	19.0	M8x1,25	10	30	3000	500
33914.W1610	7.0	5.5	23.5	21.5	M12x1,5	13	50	9000	1500

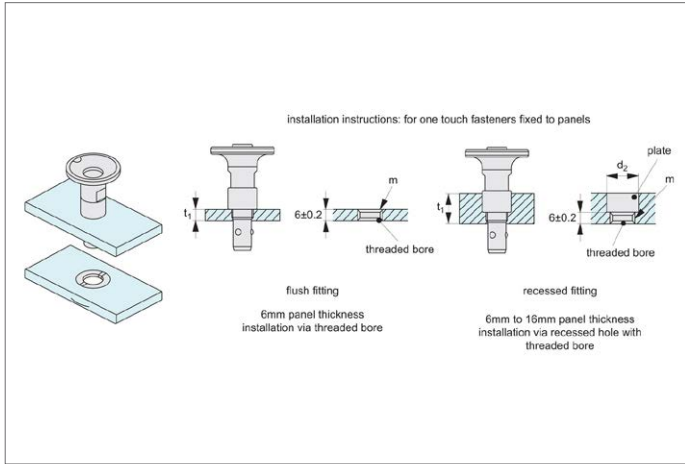


# One-Touch Fastener - Ball Locking

push button lock - straight - steel

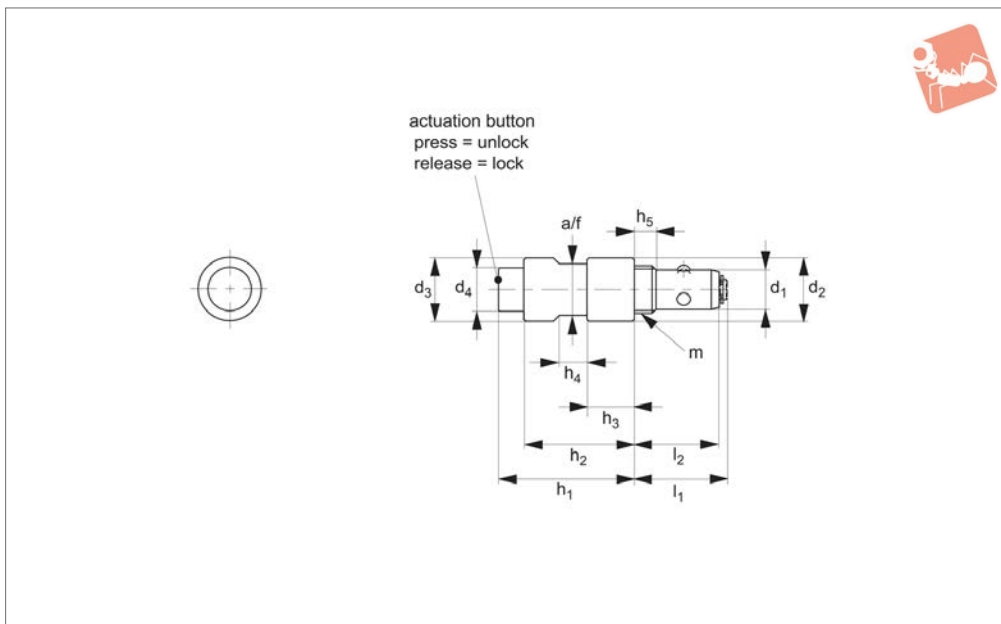


## One Touch Fasteners





## 33915



### Material

Body & button: stainless steel  
 Ball & coil ring: stainless steel.  
 Snap Ring: stainless steel.

### Technical Notes

One-touch fasteners are the ideal solution for applications requiring rapid and recurring change over of tooling or set ups. Use in applications as diverse as bottling processes, machine covers, changing of

cogs and drive belts. One-touch fasteners provide a quick, simple and secure change over solution - no time wasted in unfastening screws or other permanent fixings, and no opportunity for lost fixings in your machinery.  
 Temperature resistant to 180°C.

### Important Notes

Suitable for panels/enclosures of 6 to 16mm thickness.

For locating bushes see part no. 33920.

### Actuation:

push button: unlock (to pass pin through panels)  
 release button: lock to securely fasten.

**Note: One-touch fastener 33915 is not suitable for installation unattached from panel.**

Order No.	For single panel thickness	$d_1$ -0.05 -0.10	$d_2$	$d_3$	$d_4$	$h_1$	$h_2$	$h_3$	Weight g
<b>33915.W1006</b>	6-10	6	12	25	8	22.0	17.5	6	30
<b>33915.W1610</b>	6-16	10	16	35	11	34.4	28.0	12	50

Order No.	$h_4$	$h_5$	$l_1$	$l_2$	$m$	A/F	Clamping force N	Shear strength N	Tensile strength N
<b>33915.W1006</b>	5.5	5.5	21.0	19.0	M 8x1,25	10	30	3000	500
<b>33915.W1610</b>	7.0	5.5	23.5	21.5	M12x1,5	13	50	9000	1500

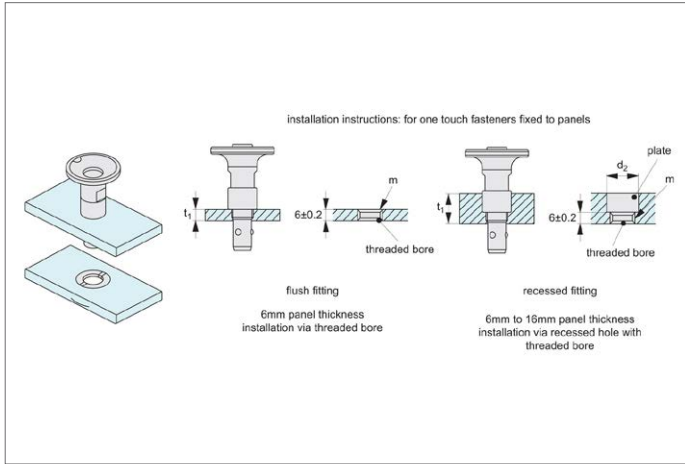


# One-Touch Fastener - Ball Locking

push button lock - straight - stainless steel

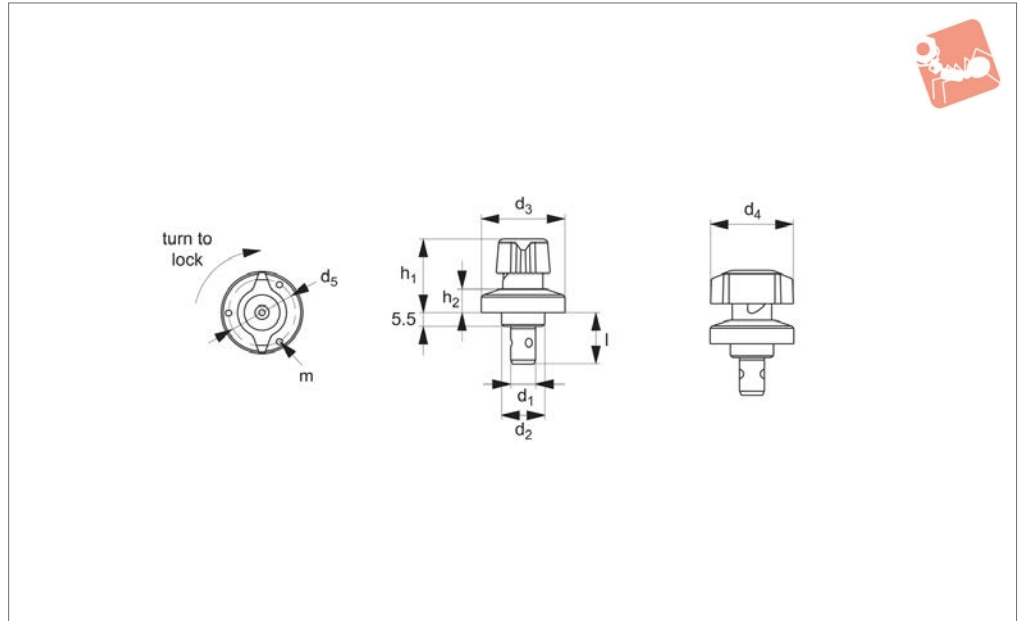


## One Touch Fasteners





## 33916



### Material

Body & Shank: steel, nickel plated.  
 Knob: plastic, black.  
 Ball & Spring: Titanium G5.

### Technical Notes

One-touch fasteners are the ideal solution for applications requiring rapid and recurring change over of tooling or set ups. Use in applications as diverse as bottling processes, machine covers, changing of cogs and drive belts. One-touch fasteners

provide a quick, simple and secure change over solution - no time wasted in unfastening screws or other permanent fixings, and no opportunity for lost fixings in your machinery.

### Important Notes

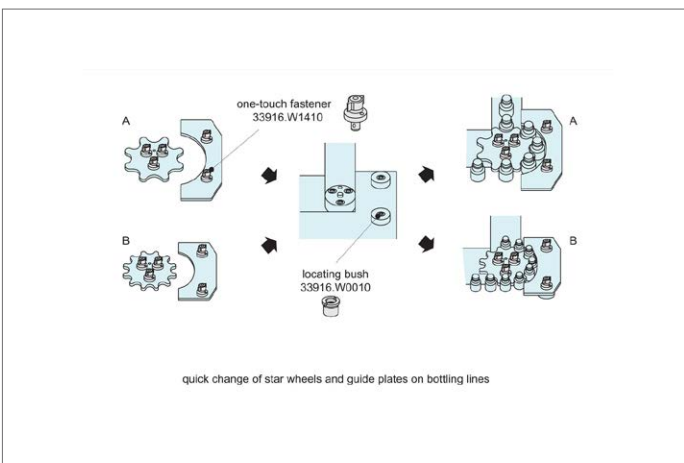
Suitable for panels/enclosures of 6 to 20mm thickness.  
 For locating bushes see part no. 33920.  
 Quarter turn handle, easy-to-read on/off position of the one-touch fastener for

increased security.  
 Temperature resistant to 180°C.

### Actuation:

- Turn handle to off position: locking balls retract and are held in retracted position via notched catch.
- Pass fastener through panel.
- Turn handle 45° to on position: locking balls engage with locating bush, panels are securely fastened.

Order No.	For single panel thickness	$d_1$ -0.05 -0.10	$d_2$ tol. h9	$d_3$	$d_4$	$d_5$	$h_1$	$h_2$	$l$	$m$	Clamping force N	Weight g
33916.W1006	6-10	6	14	25	25	21	24.5	6.5	19.5	M 2x0,4	30	40
33916.W1410	6-14	10	18	34	34	28	31.0	10.0	21.5	M 3x0,5	50	95
33916.W2010	12-20	10	18	34	34	28	31.0	10.0	27.5	M 3x0,5	50	100





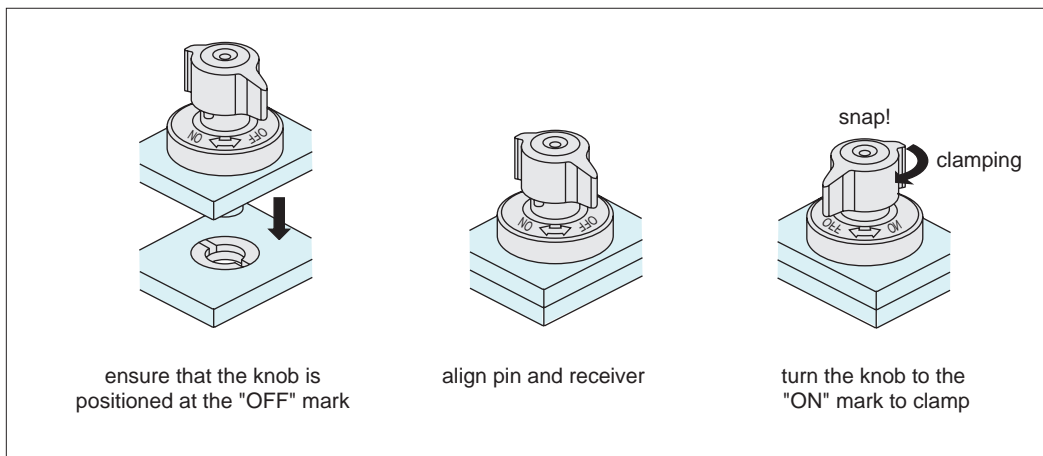


# One-Touch Fastener - Ball Locking

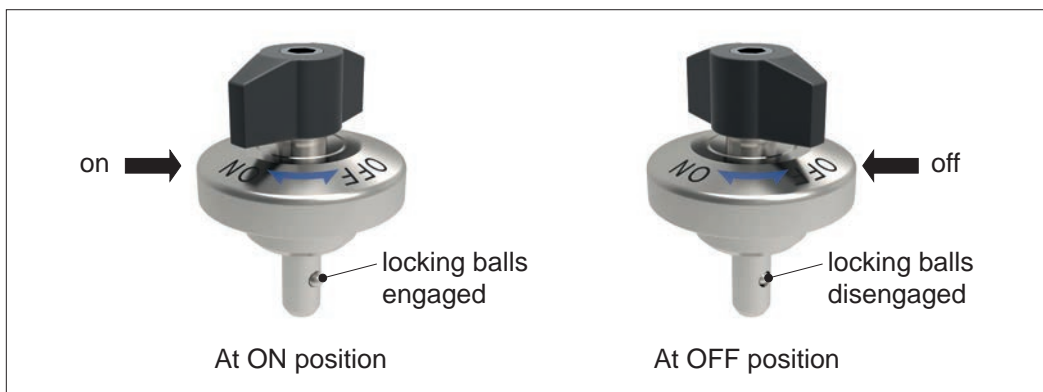
## quarter turn - installation instructions

33916 - 33918  
Positioning Elements

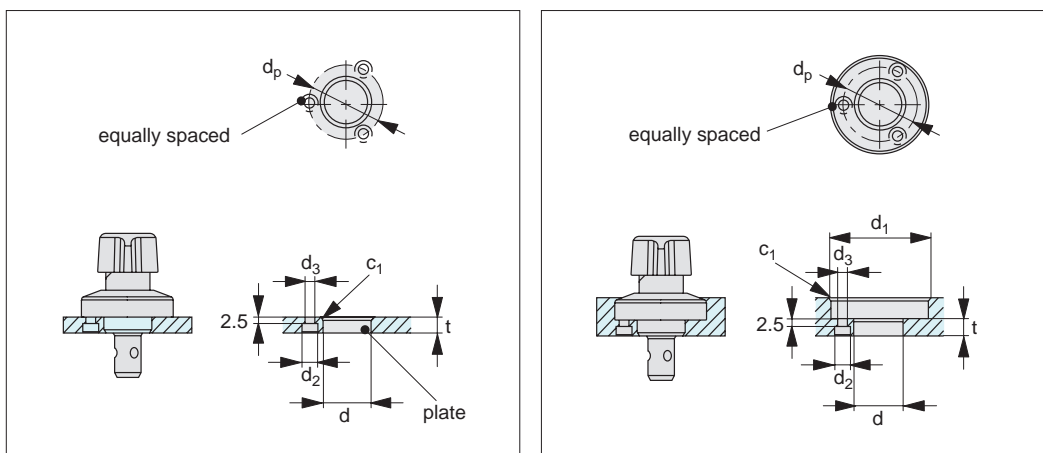
### Operating Instructions



### Easy Status Identification



### Installation Dimensions for 33916-33918



Installation for 6mm panels

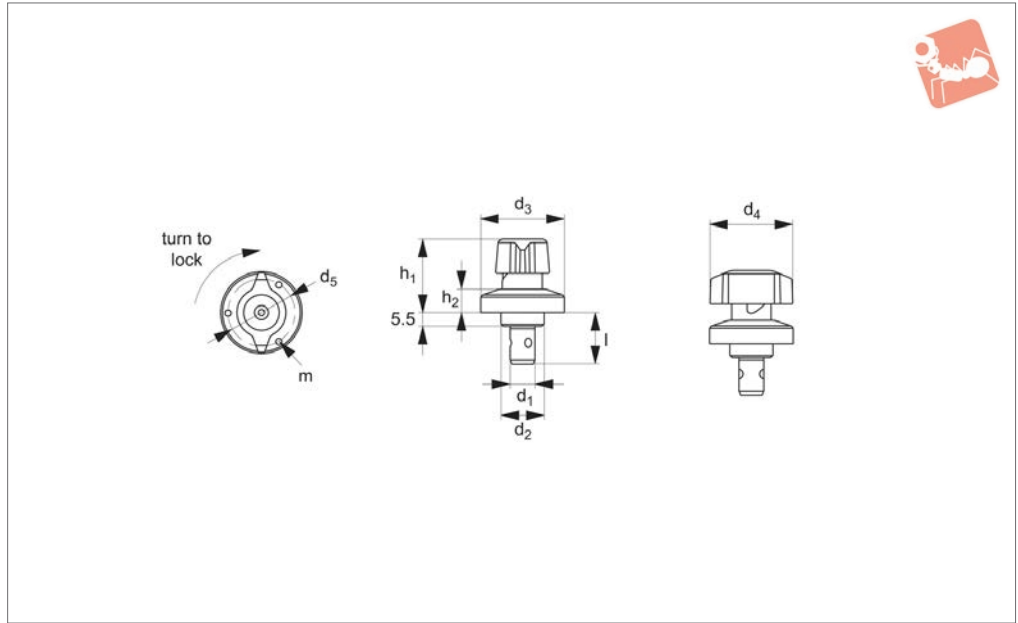
Installation for 6mm to 20mm panels

33916/17/18	Single panel thickness $t \pm 0,2$	$d_6 +0,1$ $+0,0$	$d_7$	$d_8$	$d_9$	$d_5$
.W1006	6	14	-	4,4	2,4	21
.W1006	6 to 10	14	26	4,4	2,4	21
.W1410	6	18	-	6,5	3,4	28
.W1410	6 to 14	18	35	6,5	3,4	28
.W2010	12	18	-	6,5	3,4	28
.W2010	12 to 20	18	35	6,5	3,4	28

Note: if two fasteners used, allow spacing tolerance of  $\pm 0,1$ mm



**33917**



**Material**

Body: stainless steel  
 Shank: steel, nickel plated.  
 Knob: stainless steel.  
 Ball & spring: stainless steel.

**Technical Notes**

One-touch fasteners are the ideal solution for applications requiring rapid and recurring change over of tooling or set ups. Use in applications as diverse as bottling processes, machine covers, changing of cogs and drive belts. One-touch fasteners

provide a quick, simple and secure change over solution - no time wasted in unfastening screws or other permanent fixings, and no opportunity for lost fixings in your machinery.

**Important Notes**

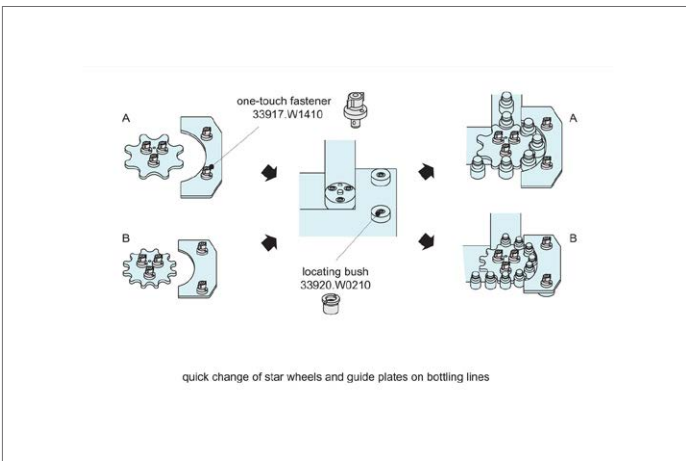
Suitable for panels/enclosures of 6 to 20mm thickness. For locating bushes see part no. 33920. Quarter turn handle, easy-to-read on/off position of the one-touch fastener for increased security.

Temperature resistant to 180°C.

**Actuation:**

- Turn handle to off position: locking balls retract and are held in retracted position via notched catch.
- Pass fastener through panel.
- Turn handle 45° to on position: locking balls engage with locating bush, panels are securely fastened.

Order No.	For single panel thickness	d <sub>1</sub> -0.05 -0.10	d <sub>2</sub> tol. h9	d <sub>3</sub>	d <sub>4</sub>	d <sub>5</sub>	h <sub>1</sub>	h <sub>2</sub>	l	m	Clamping force N	Weight g
<b>33917.W1006</b>	6-10	6	14	25	25	21	24.5	6.5	19.5	M 2x0,4	30	40
<b>33917.W1410</b>	6-14	10	18	34	34	28	31.0	10.0	21.5	M 3x0,5	50	95
<b>33917.W2010</b>	12-20	10	18	34	34	28	31.0	10.0	27.5	M 3x0,5	50	100



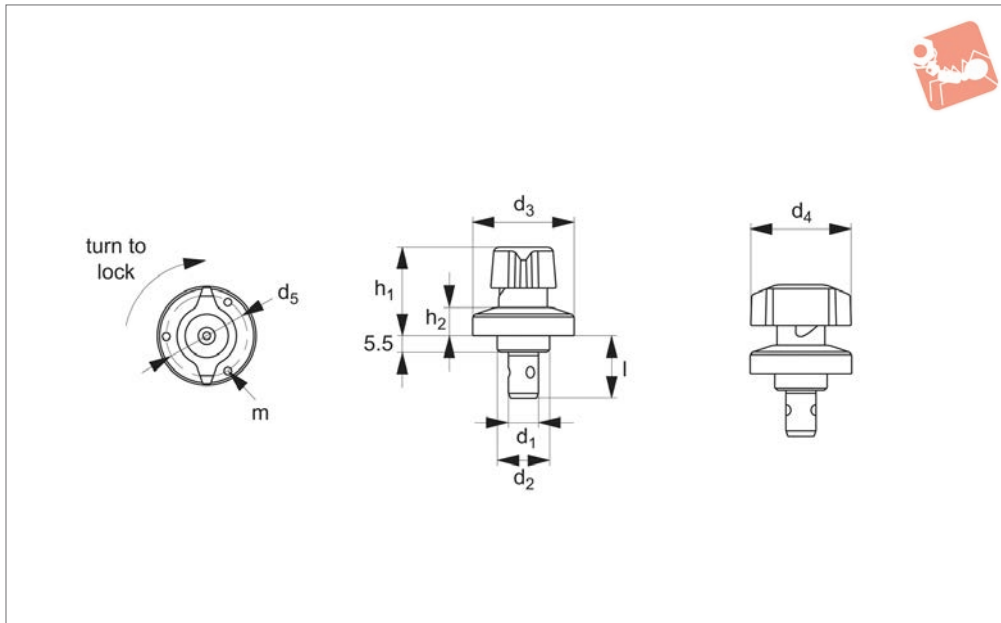


# One-Touch Fastener - Ball Locking

quarter turn lock - t-handle grip - stainless steel



## One Touch Fasteners



**33918**

ONE TOUCH FASTENERS

### Material

Body & shank: stainless steel.  
Knob: stainless steel.  
Ball & spring: stainless steel.

### Technical Notes

One-touch fasteners are the ideal solution for applications requiring rapid and recurring change over of tooling or set ups. Use in applications as diverse as bottling processes, machine covers, changing of cogs and drive belts. One-touch fasteners

provide a quick, simple and secure change over solution - no time wasted in unfastening screws or other permanent fixings, and no opportunity for lost fixings in your machinery.

### Important Notes

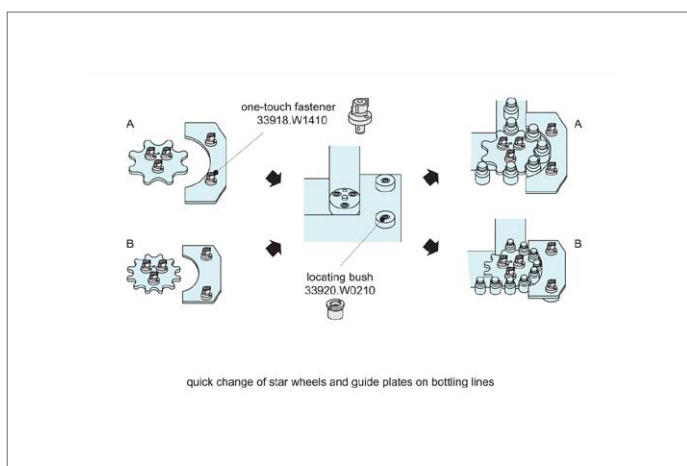
Suitable for panels/enclosures of 6 to 20mm thickness.  
For locating bushes see part no. 33920.  
Quarter turn handle, easy-to-read on/off position of the one-touch fastener for

increased security.  
Temperature resistant to 180°C.

### Actuation:

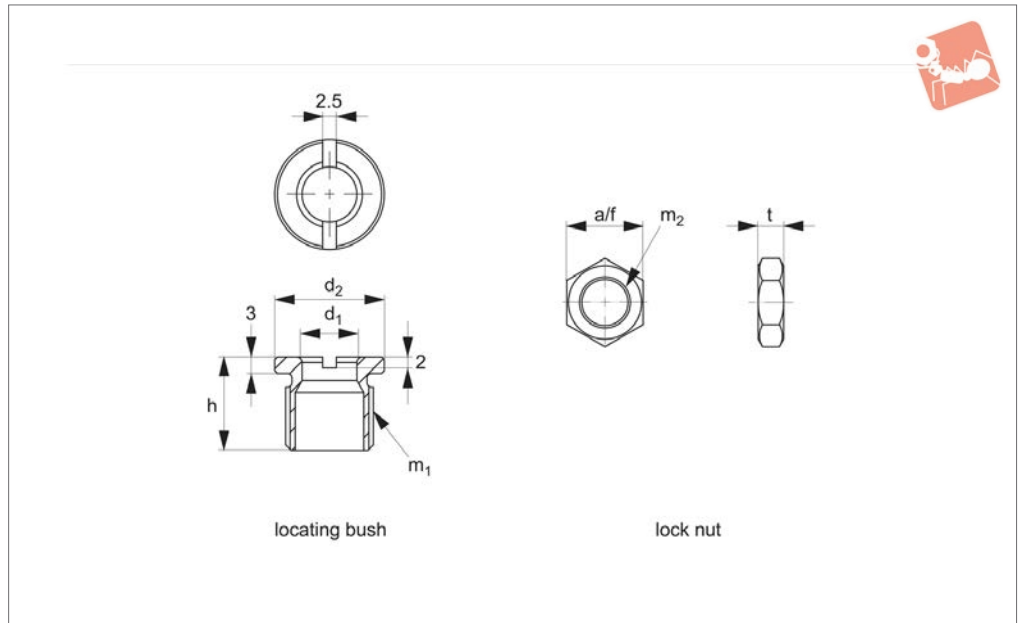
- Turn handle to off position: locking balls retract and are held in retracted position via notched catch.
- Pass fastener through panel.
- Turn handle 45° to on position: locking balls engage with locating bush, panels are securely fastened.

Order No.	For single panel thickness	$d_1$ -0.05 -0.10	$d_2$ tol. h9	$d_3$	$d_4$	$d_5$	$h_1$	$h_2$	$l_1$	$m$	Clamping force N	Weight g
<b>33918.W1006</b>	3-10	6	14	25	25	21	24.5	6.5	19.5	M 2x0,4	30	40
<b>33918.W1410</b>	3-14	10	18	34	34	28	31.0	10.0	21.5	M 3x0,5	50	120
<b>33918.W2010</b>	12-20	10	18	34	34	28	31.0	10.0	27.5	M 3x0,5	50	100





## 33920



### Material

Body: steel or stainless steel SUS303.  
Nut: stainless steel SUS303.

### Technical Notes

Used in conjunction with one-touch fasteners 33910 to 33918, locating bushes 33920 provide secure fastening of panels and covers. Locating bushes are of particular use in soft metals, such as aluminium where receiving surfaces may wear. One-

touch fasteners are the ideal solution for applications requiring rapid and recurring change over tooling or set ups. Use in applications as diverse as bottling processes, machine covers, changing of cogs and drive belts.

### Tips

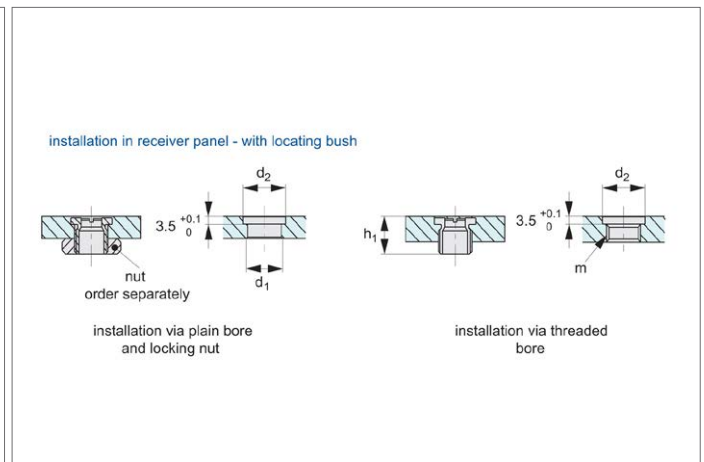
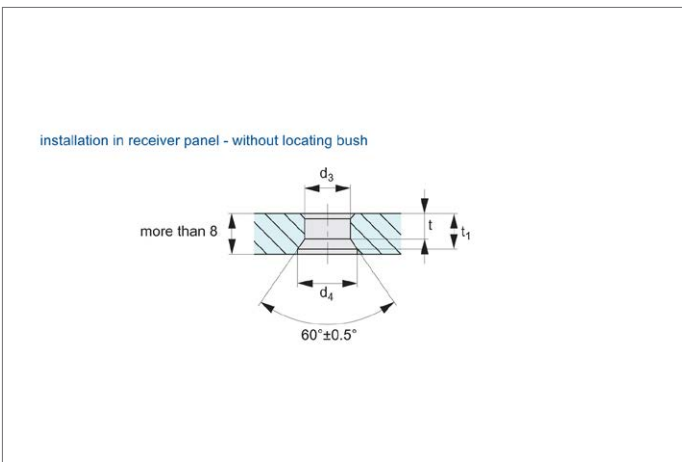
While we recommend the use of locating bushes as receivers for our one-touch fasteners, it is also possible to mount one-

touch fasteners without them, see specifications opposite.

### Important Notes

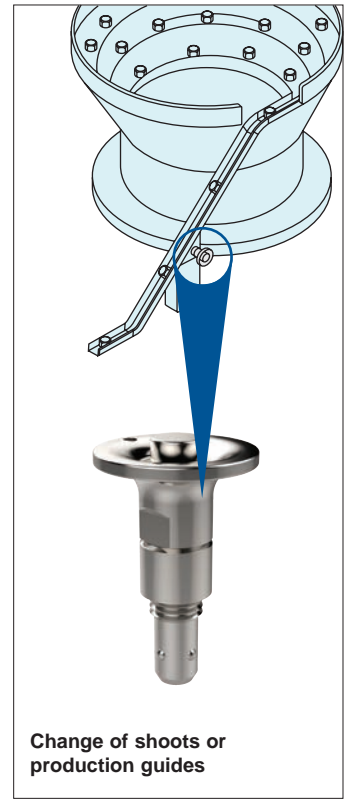
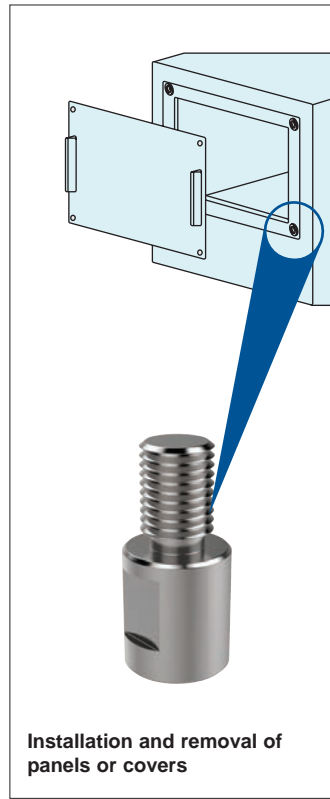
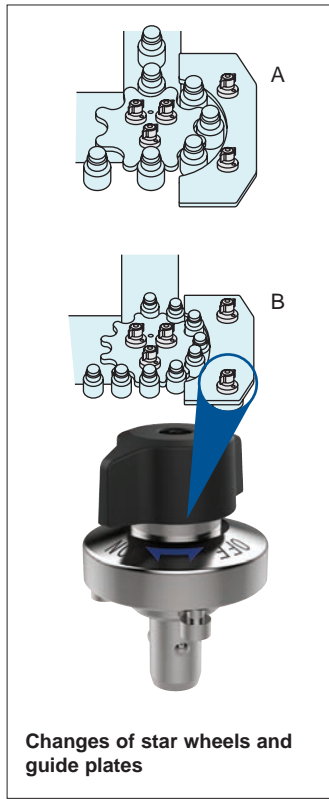
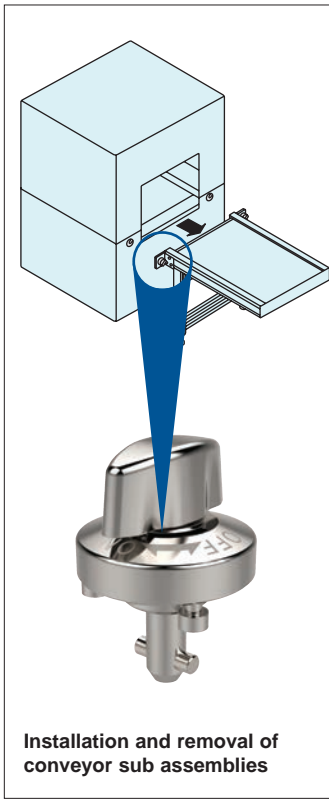
Suitable for panels/enclosures of 6 to 20mm thickness. For one-touch fasteners see part no. 33910 to 33918. For installation instructions see technical page. Temperature resistant to 180°C.

Order No.	Type	Material	$d_1 +0.4   +0.2$	$d_2 \text{ tol. } h9$	h	$m_1$	For panel thickness	Weight g
33920.W0006	Bush	Steel	6	16	15	M12x1,5	>6	9
33920.W0010	Bush	Steel	10	20	17	M16x1,5	>6	13
33920.W0206	Bush	S/S	6	16	15	M12x1,5	>6	9
33920.W0210	Bush	S/S	10	20	17	M16x1,5	>6	13





### One-Touch Fasteners - Alternatives to Screws



ONE TOUCH FASTENERS

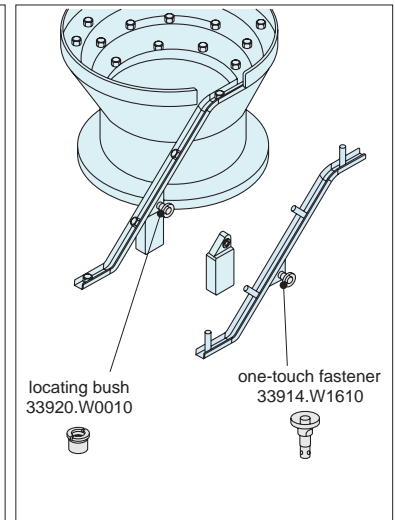
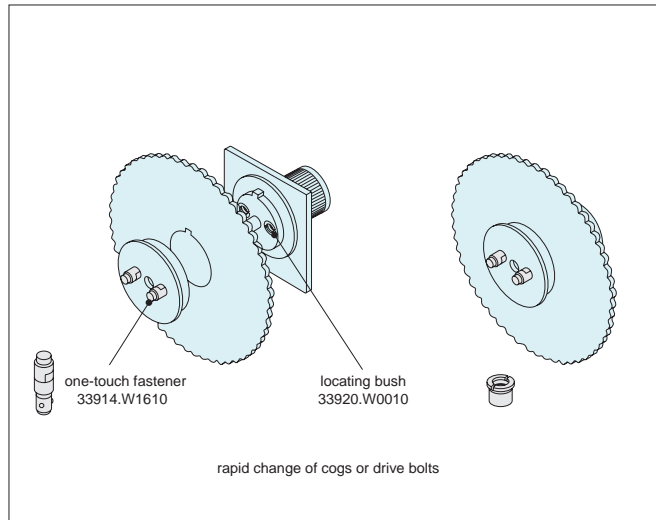
### Easy & Secure! For Quick Changeover with No Tools!



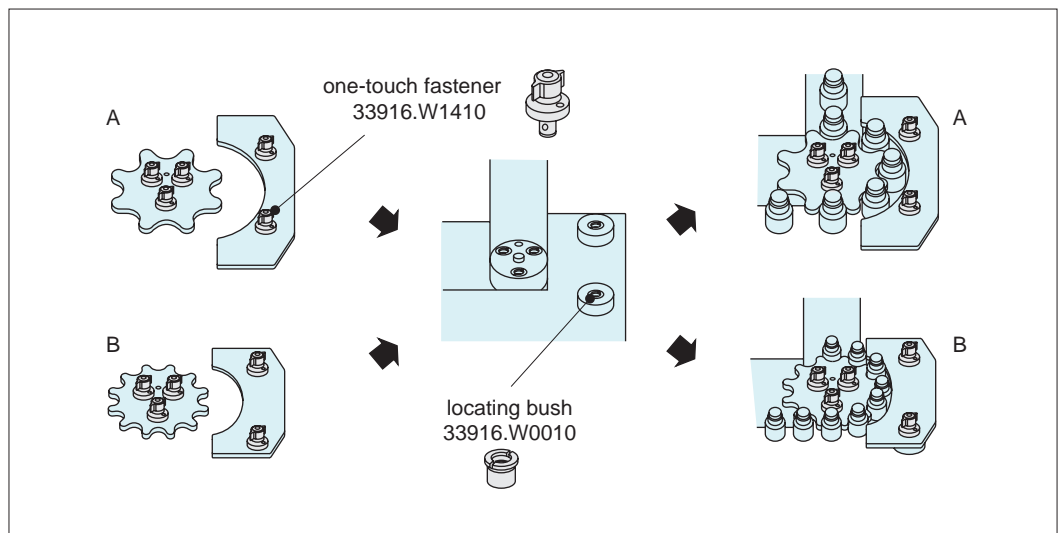


One-Touch Change Over

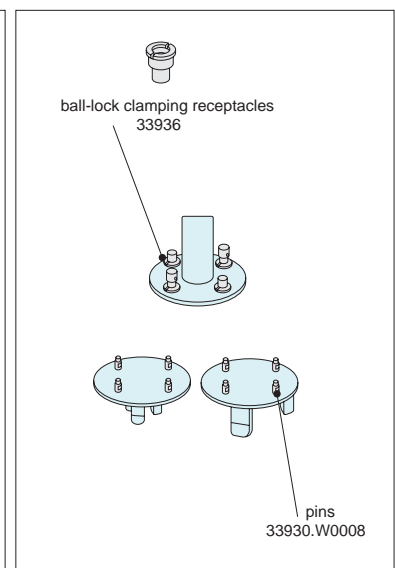
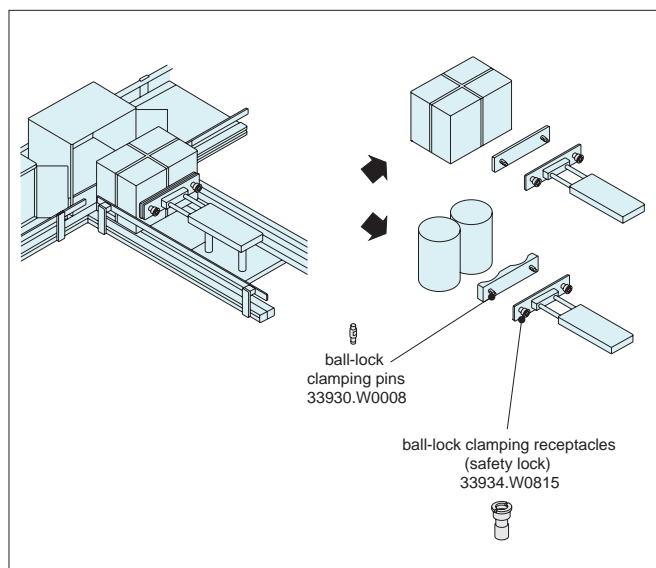
Installation and Removal of Rotary Blades and Changes of Shooters



Changes of Star Wheels and Guide Plates



Changes of Pusher and Changes of Chuck Handling Machines





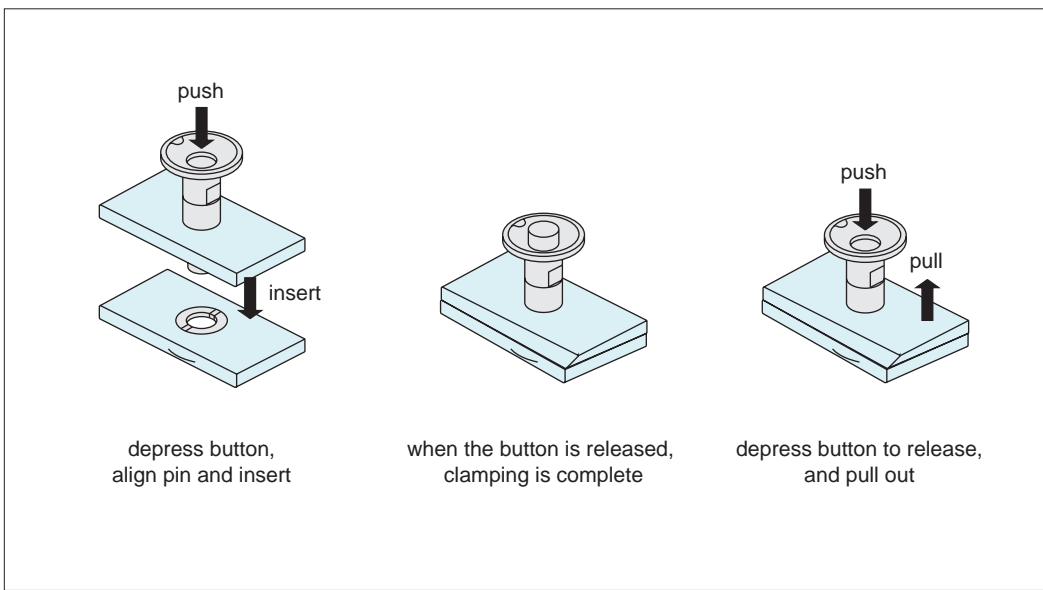
# One-Touch Fastener - Ball Locking

technical information

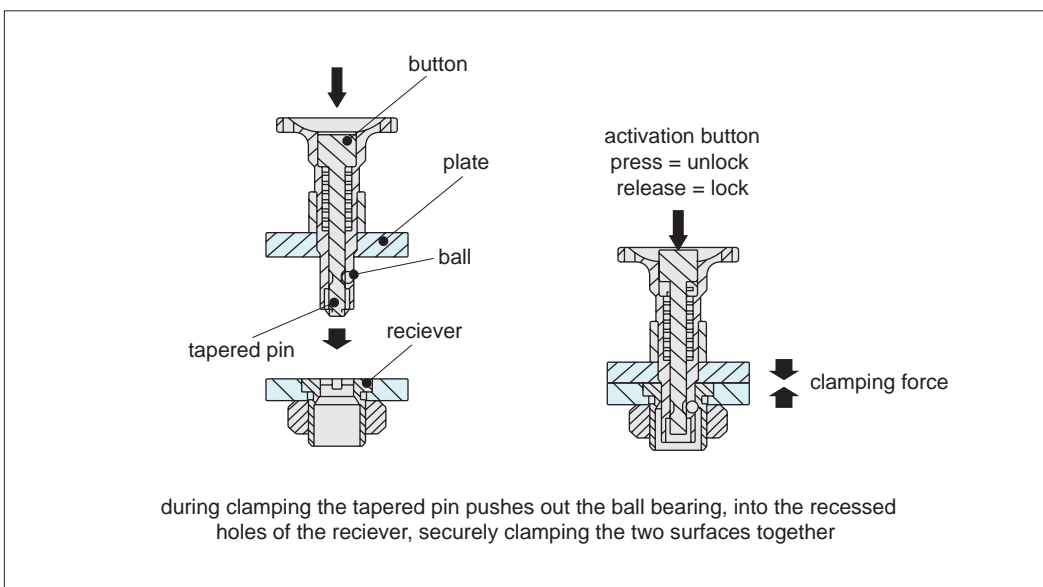
33910 - 33920

Positioning Elements

## Operating Instructions



## Operating Principle



ONE TOUCH FASTENERS

ov-W33910-A-T-W33920-A-T-ball-locking-one-touch-fasteners-a-rmh - Updated - 27-10-2022