

33950

ONE TOUCH FASTENERS

Material

Body: steel, nickel plated.

Technical Notes

Used in conjunction with magnetic one-touch fasteners 33956, provides secure fastening of panels and covers. One-touch fasteners are the ideal solution for applica-

tions requiring rapid and recurring change over of tooling or set ups. Use in applications as diverse as bottling processes, machine covers, changing of cogs and drive belts.

Note: pin itself is not magnetic, it is for use with locating bush part no. 33956,

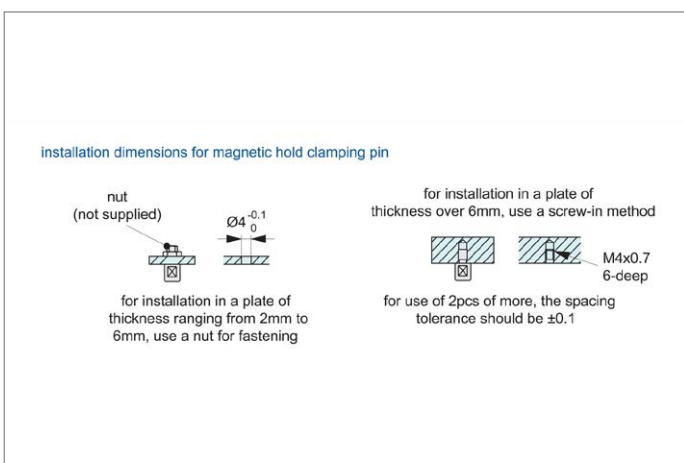
which contains magnet.

Important Notes

Suitable for panels/enclosures of 2 to 6 20 mm thickness.

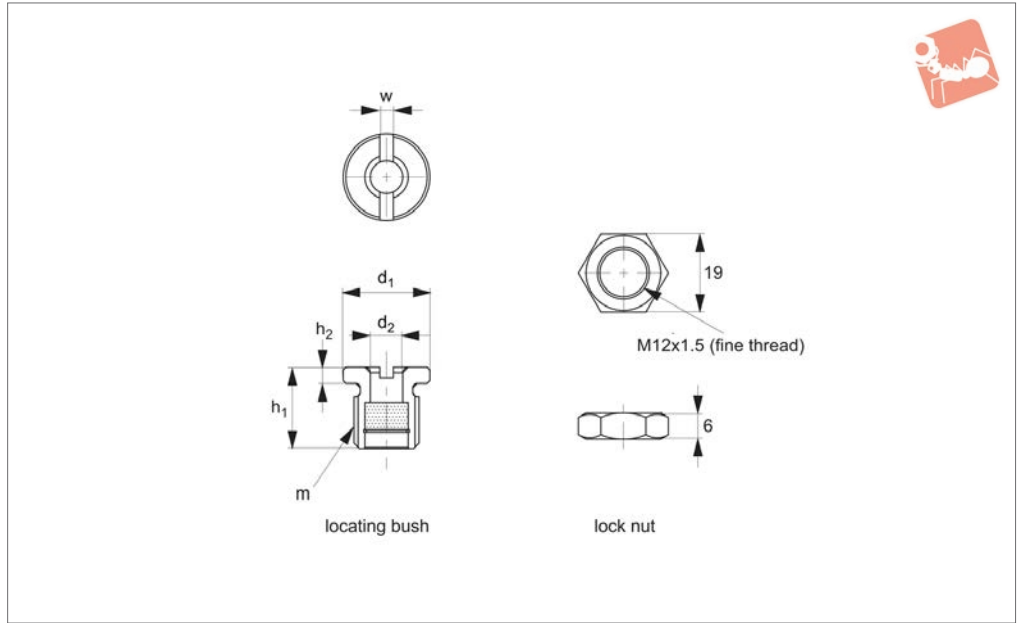
For installation instructions see technical page.

Order No.	For single panel thickness	d_1	h_1	h_2	h_3	m	A/F	Shear strength N	Weight g
33950.W0006	2 to 6	$-0.02 -0.04$ Ø6	7	5.8	4	M 4x0,7	5	900	2





33956



Material

Body: stainless steel.
Magnet: neodymium.

Technical Notes

One-touch fasteners are the ideal solution for applications requiring rapid and recurring change over of tooling or set ups. Use in applications as diverse as bottling processes, machine covers, changing of cogs and drive belts. One-touch fasteners

provide a quick, simple and secure change over solution - no time waste in unfastening screws or other permanent fixings, and no opportunity for lost fixings in your machinery.

Important Notes

Suitable for panels/enclosures of 2 to 6 mm thickness. For pin see part no. 33950. Part contains Neodymium magnets which in conjunction with one-touch pin no.

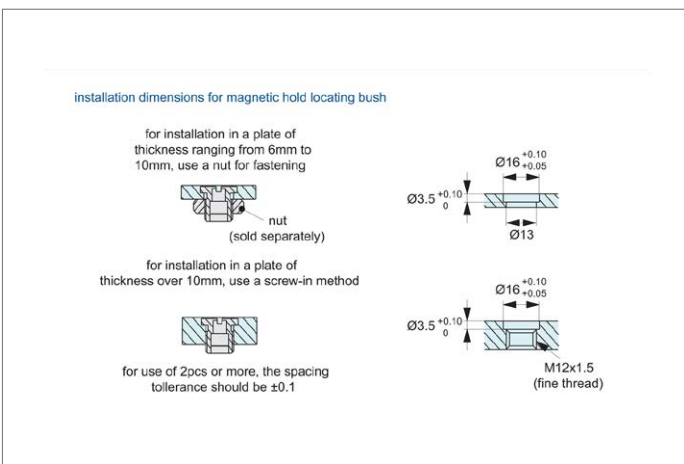
33950 creates a magnetic clamping force of 7 N.

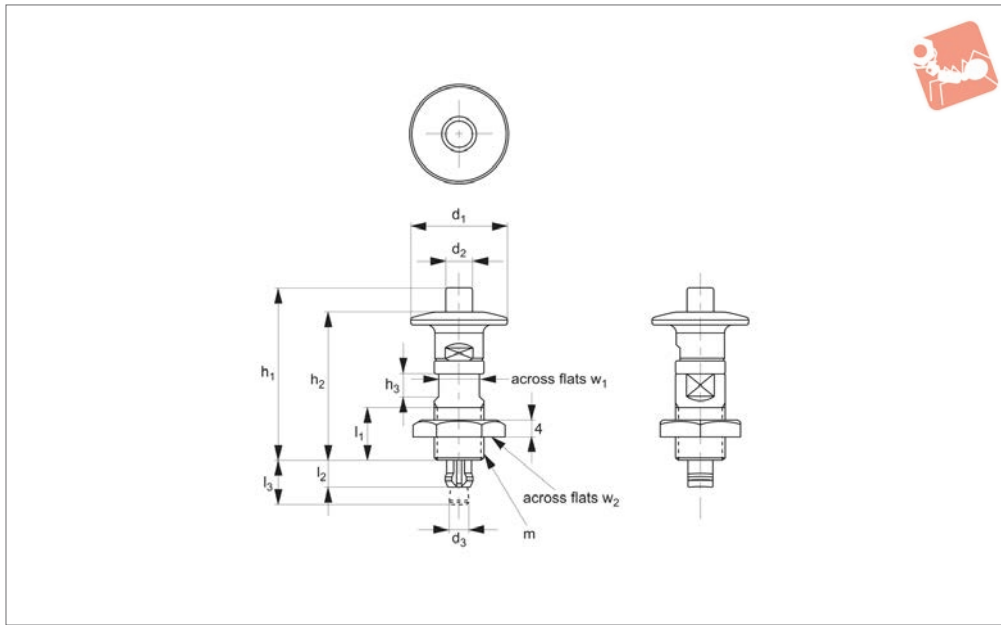
Actuation:

Engage pin into receiver, magnetic effect will take hold. Panels are securely fastened.

To release, simply pull panels apart with sufficient force to overcome magnetic holding force, panel is released.

Order No.	For single panel thickness	Type	d_1 tol. h9	d_2 +0.10 +0.05	h_1	h_2	m	w	Clamping force N	Weight g
33956.W0076	2 to 6mm	Bush	Ø16	Ø6	15	3	M12x1,5	2.5	7	12





33960

ONE TOUCH FASTENERS

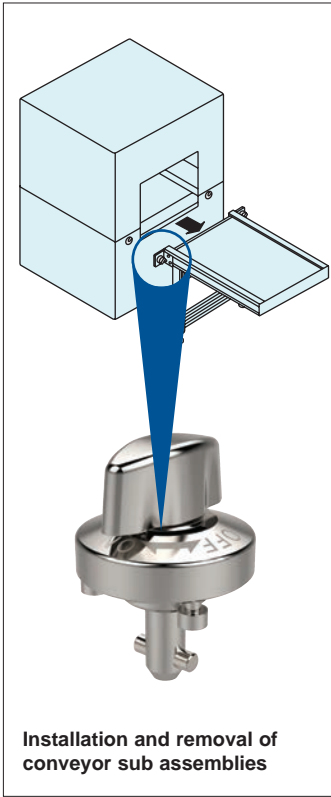
Material

Stainless steel.

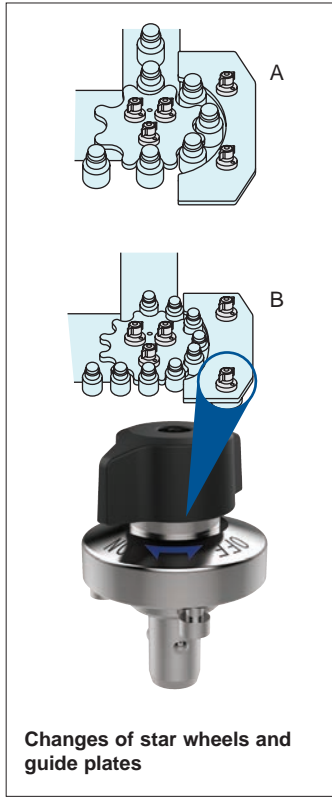
Order No.	d	d ₁	d ₂	h	h ₁	h ₂	l	l ₁	l ₂	m	w	w ₁	Clamping force N	Shear strength	Tensile strength	Proper base plate thickness	Proper plate thickness	Weight g
33960.W6123	6,5	23	6,5	40	32	5,5	12,5	6,5	10,5	M12x1 (Fine thread)	10	19	3	200	150	3	3~8	41
33960.W6126	6,5	23	6,5	37	29	5,5	12,5	6,5	13,5	M12x1 (Fine thread)	10	19	3	200	150	6	3~8	40
33960.W8123	8,5	32	10	51	41,5	7	16,5	6,5	11	M16x1 (Fine thread)	14	24	6	400	300	3	3~12	88
33960.W8126	8,5	32	10	48	38,5	7	16,5	9,5	14	M16x1 (Fine thread)	14	24	6	400	300	6	3~12	88



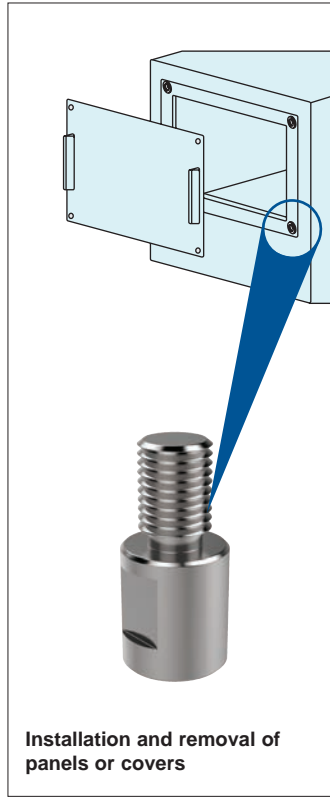
One-Touch Fasteners - Alternatives to Screws



Installation and removal of conveyor sub assemblies



Changes of star wheels and guide plates



Installation and removal of panels or covers



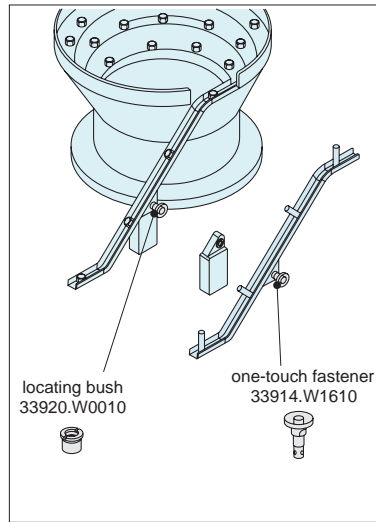
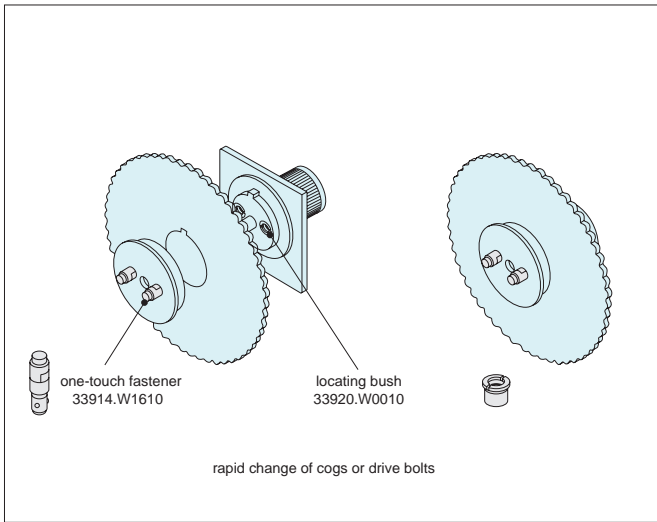
Change of shoots or production guides

Easy & Secure! For Quick Changeover with No Tools!



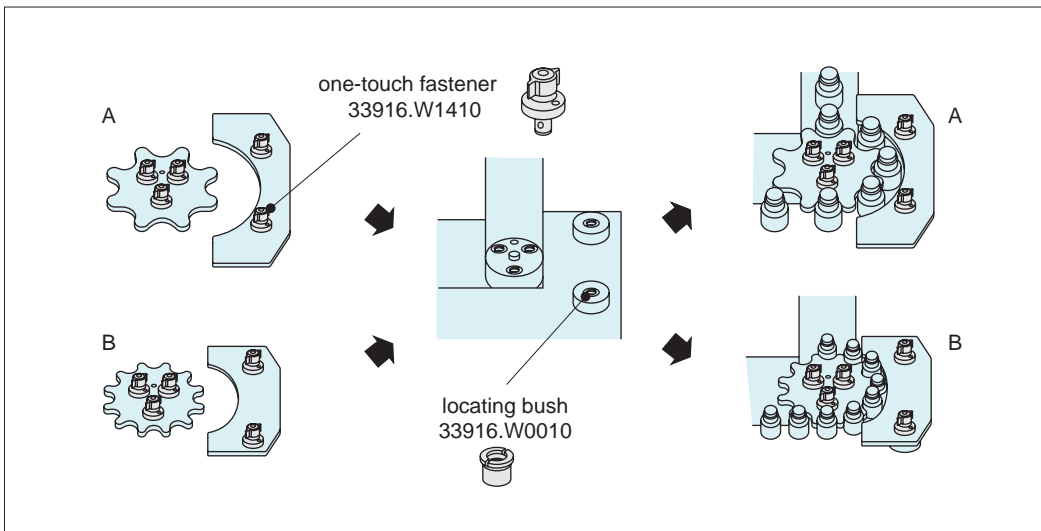


One-Touch Change Over

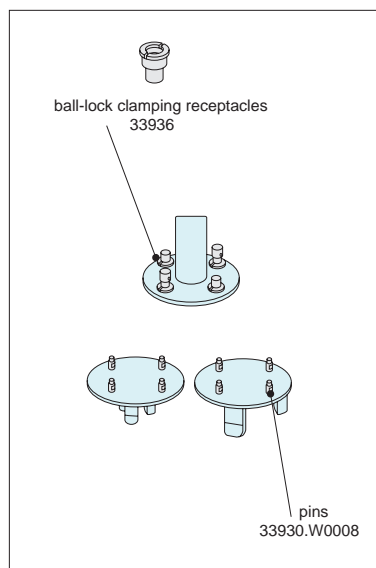
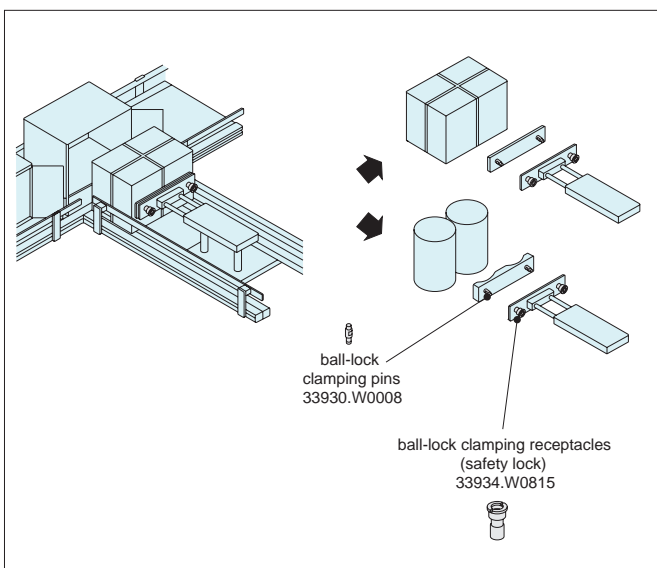


Installation and Removal of Rotary Blades and Changes of Shooters

ONE TOUCH FASTENERS



Changes of Star Wheels and Guide Plates



Changes of Pusher and Changes of Chuck Handling Machines

ov-W33910-A-T-W33956-A-T-one-touch-fasteners-b-rmh - Updated - 27-10-2022