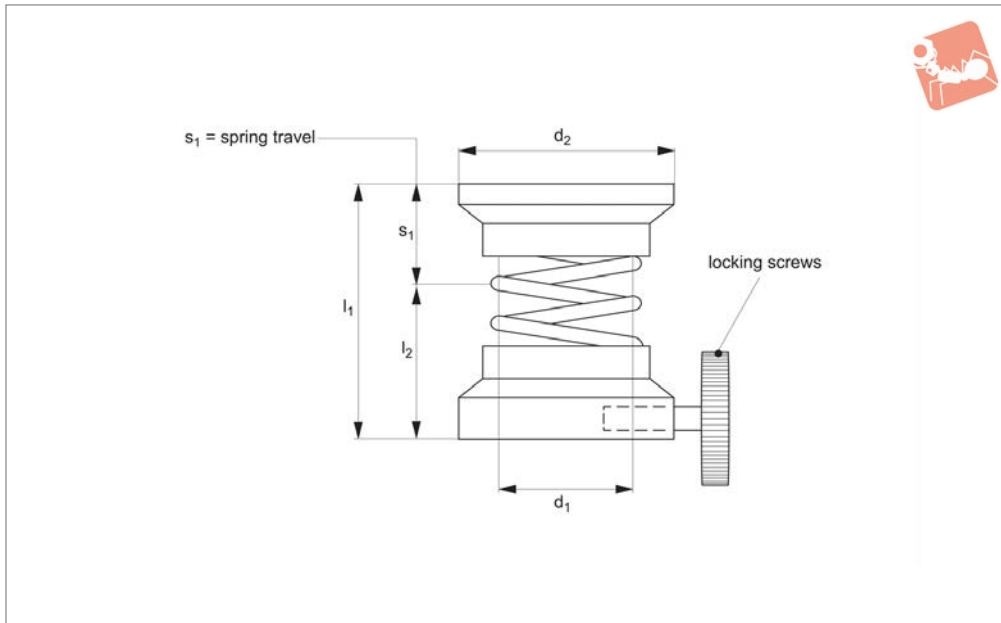




Clamp Supports - Spring Type

with brass locking screw

T-Nuts & T-Bolts



26000

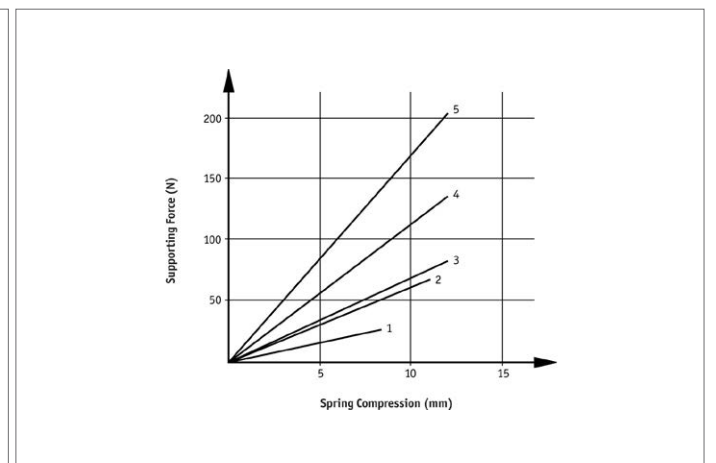
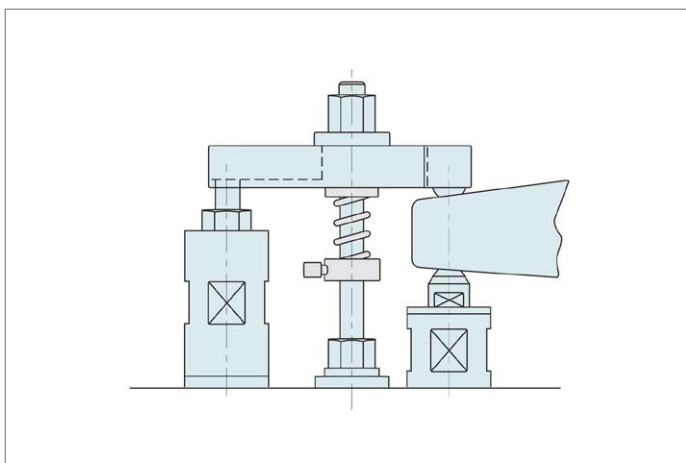
T-NUTS & T-BOLTS

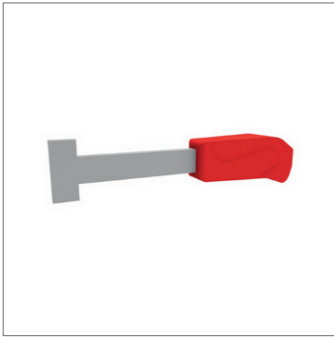
Technical Notes

With brass locking screw.

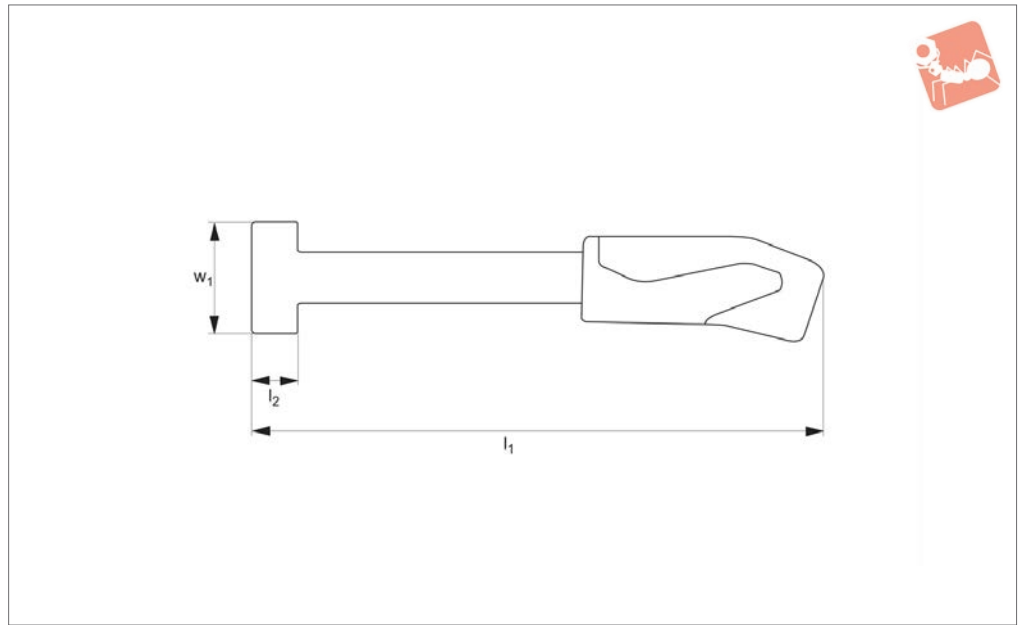
Used as clamp support to prevent the clamp falling when parts are unclamped.

Order No.	For thread	d ₁	d ₂	l ₁	l ₂	Spring travel s ₁	Weight g
26000.W0101	M 8-M10	10.5	22	30	22	8	41
26000.W0102	M12-M14	14.5	26	32	22	10	55
26000.W0103	M16-M18	18.5	32	38	26	12	89
26000.W0104	M20-M22	22.5	38	40	28	12	133
26000.W0105	M24-M27	27.5	45	44	32	12	177





26300



Material

Metal scraper: steel, zinc plated.
 Handle: ergonomic grip from oil resistant

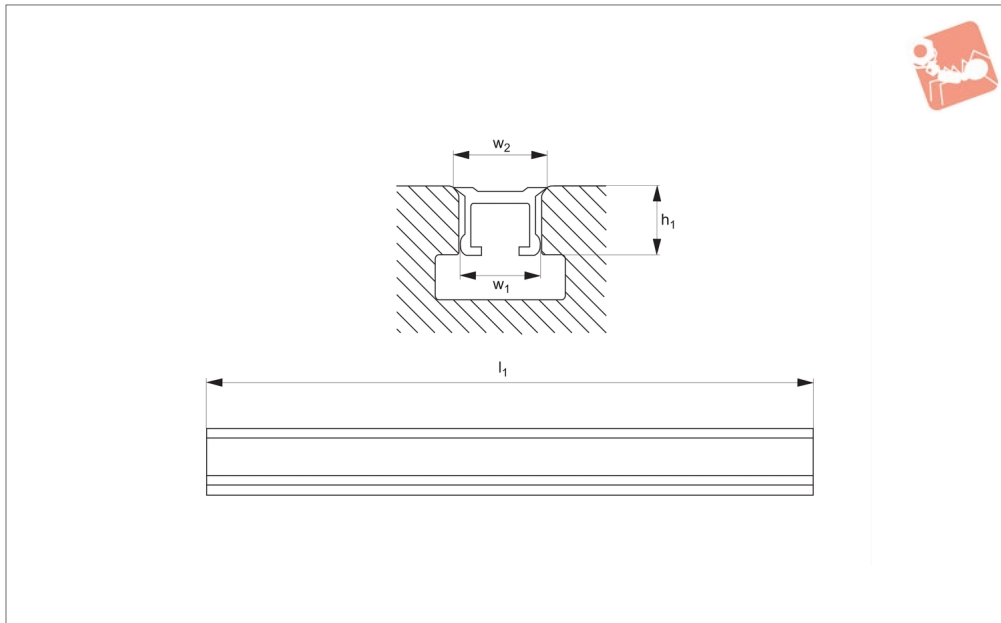
plastic.

hand grip.

Technical Notes

Part number 26300.W0120 does not have

Order No.	T-slot size	w ₁	l ₁	l ₂	Weight g
26300.W0120	14-20	22.5	142	8.5	105
26300.W0132	22-32	35.0	184	14.5	170
26300.W0154	36-54	54.0	260	23.0	525



26500

T-NUTS & T-BOLTS

Material

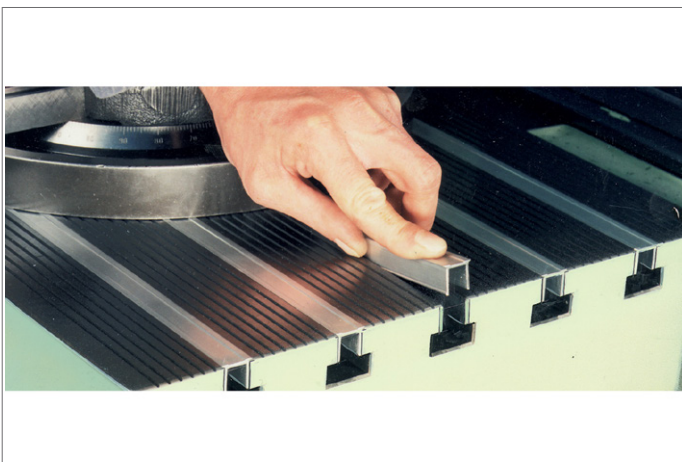
Aluminium profile.

protect T-slots from swarf and other dirt build up.

Technical Notes

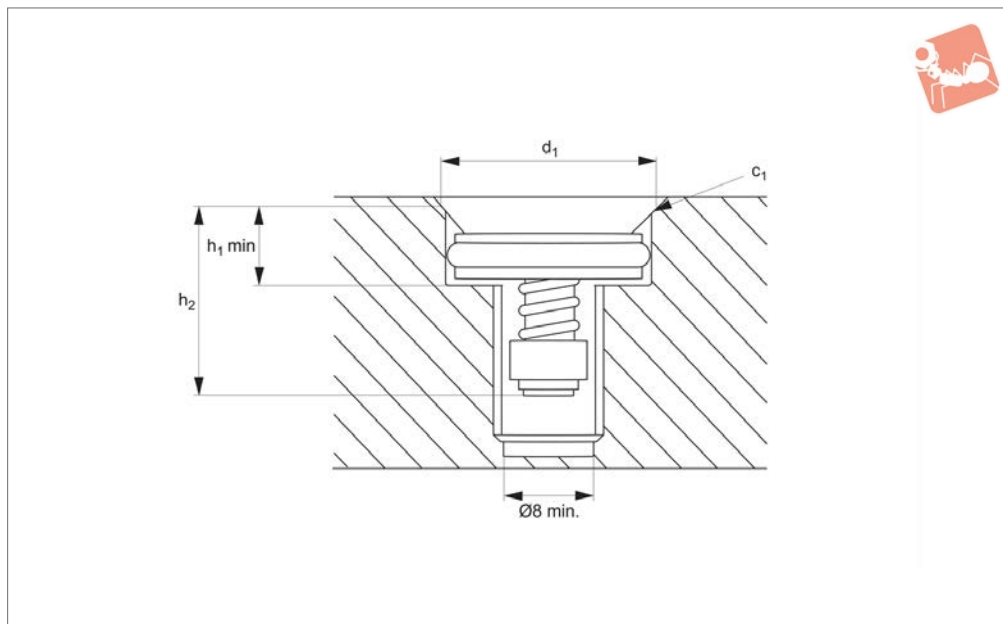
Easily sawn to length. Extremely useful to

Order No.	T-slot w_1	w_2	h_1	l_1	Weight g
26500.W0112	12	13.0	10.5	1000	88
26500.W0114	14	15.5	11.5	1000	100
26500.W0116	16	17.5	14.0	1000	120
26500.W0118	18	19.5	15.0	1000	135
26500.W0120	20	21.5	16.5	1000	150
26500.W0122	22	23.5	18.0	1000	165
26500.W0124	24	25.5	20.0	1000	170
26500.W0128	28	29.5	22.0	1000	200
26500.W0136	36	38.0	22.0	1000	220





26502



Material

Aluminium with rubber O-ring.

Technical Notes

An O-ring holds the aluminium plug in place in the bore hole. The plugs do not

protrude above the table and so can remain installed when using clamps, vices etc.

They are easily installed and removed using the assembly tool.

Tips

Allows machine table areas to be kept clean of dirt, swarf and lubricant.

Order No.	For hole d_1	h_1 min.	h_2	Chamfer c_1 min.
26502.W0005	12	4.3	19.5	0,8x45°
26502.W0010	16	4.9	19.5	1,3x45°
26502.W0015	18	5.0	19.5	1,3x45°
26502.W0020	20	5.5	19.5	1,3x45°
26502.W0025	22	6.5	20.5	1,3x45°
26502.W0030	24	6.5	20.5	1,5x45°
26502.W0035	26	6.5	20.5	1,8x45°
26502.W0040	Assembly Tool	-	-	-

