

97100

SPANNERS & HOOK SPANNERS

Material

Body: anodised aluminium (high wear resistance).

Technical Notes

The Posi-stop replaces all forms of distance

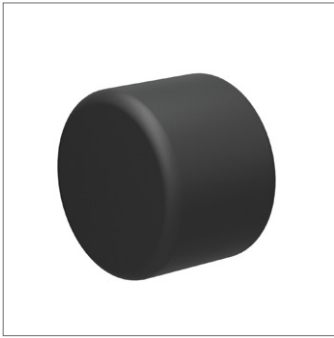
sleeves and soft jaws normally used when turning short workpieces. They mount securely against the chuck face using three strong magnets and provide a fixed reference surface.

Tips

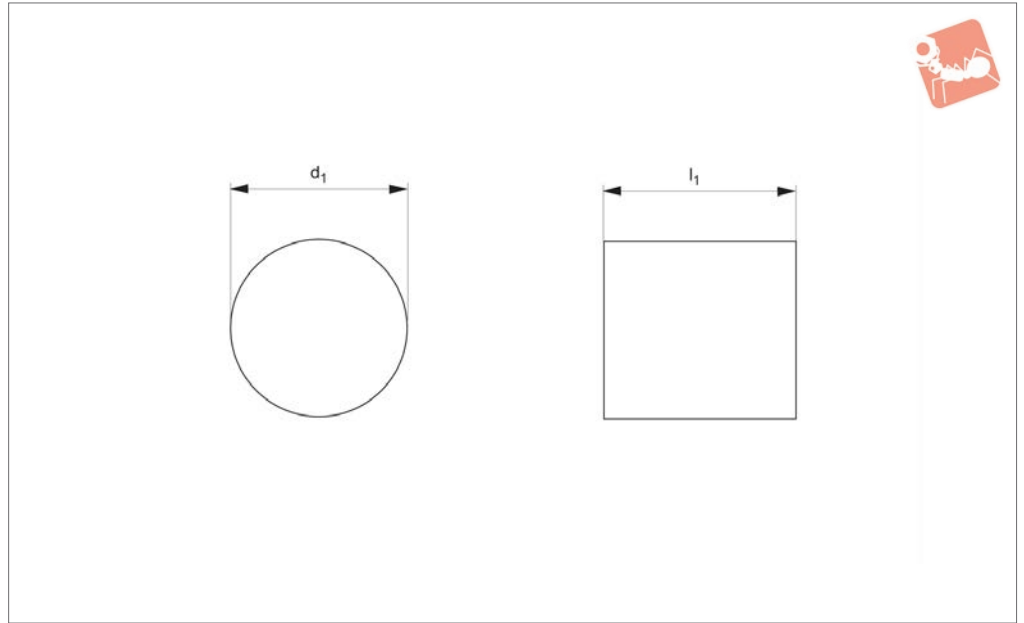
* w_1 - standard width jaw is 25mm, this can easily be milled or sawn larger for chucks with wider jaws up to 54mm.

Order No.	d_1	h_1 ± 0.01	w_1	w_2	Type
97100.W0015	150	15	25	55	Single
97100.W0020	150	20	25	55	Single
97100.W0025	150	25	25	55	Single
97100.W0030	150	30	25	55	Single
97100.W0035	150	35	25	55	Single
97100.W0040	150	40	25	55	Single
97100.W0503	-	1 of each - 15, 20, 25	-	-	Set of 3
97100.W0504	-	1 of each - 15, 20, 25, 30	-	-	Set of 4
97100.W0505	-	1 of each - 15, 20, 25, 30, 35	-	-	Set of 5
97100.W0506	-	1 of each - 15, 20, 25, 30, 35, 40	-	-	Set of 6





97103



Material

Flame resistant neoprene foam.

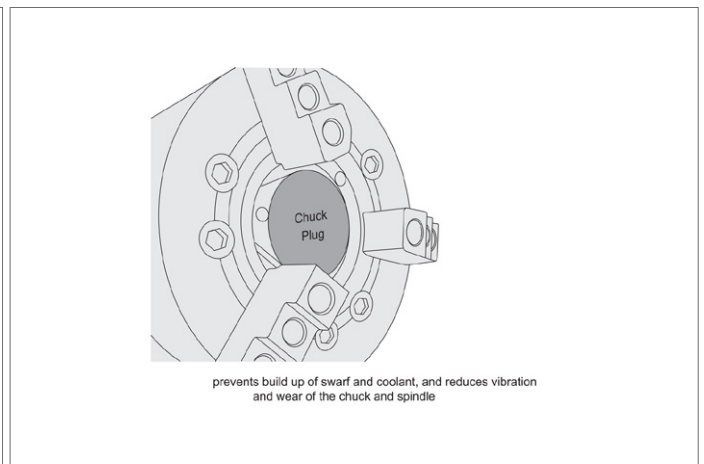
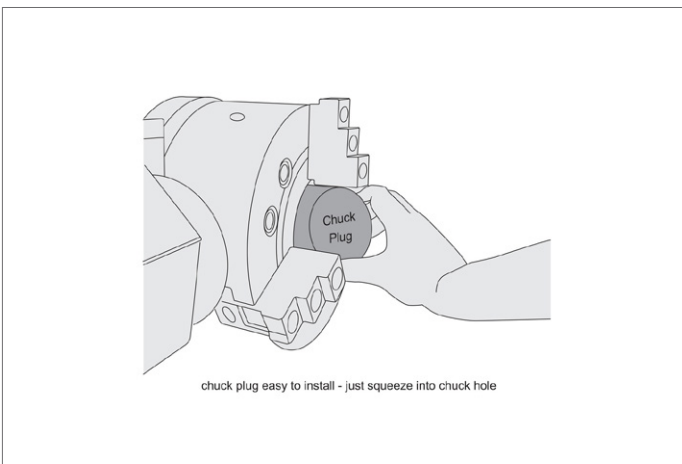
through holes to keep swarf and coolant from the spindle bore.

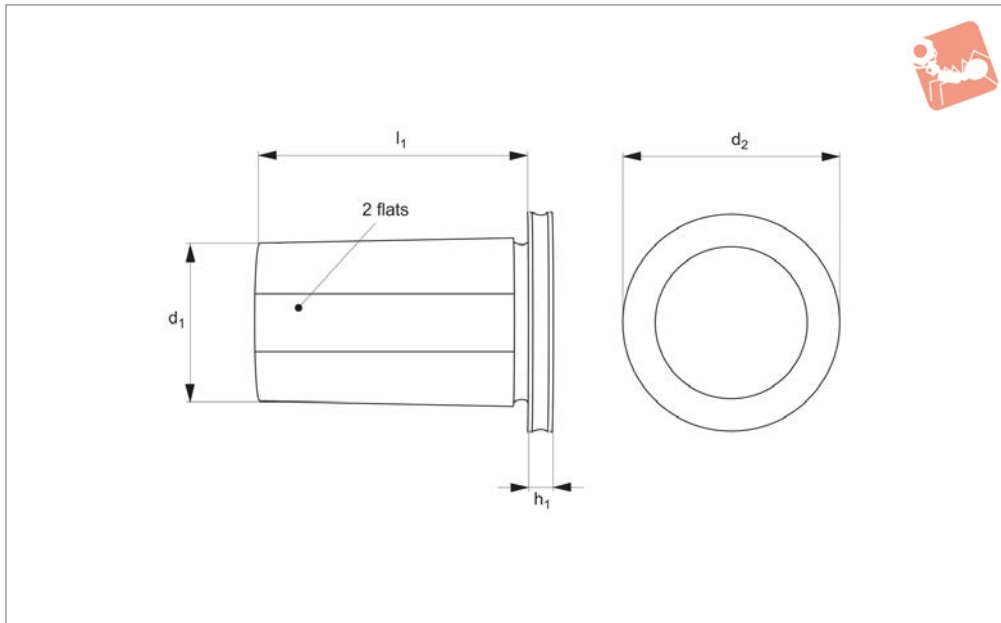
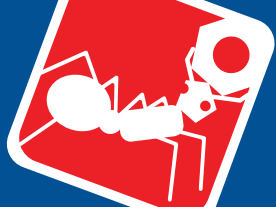
Technical Notes

The chuck plug is used to plug lathe chuck

Just squeeze the plug into the chuck hole.

Order No.	d_1	Optimal bore length l_1	Bore length l_1 min. max.	Qty/pack
97103.W0035	35	33	30-34	2
97103.W0048	48	45	42-47	2
97103.W0055	55	52	49-54	2
97103.W0070	70	66	62-68	2
97103.W0080	80	75	72-78	2
97103.W0086	86	81	76-83	2
97103.W0097	97	91	87-94	2
97103.W0107	107	100	97-104	2
97103.W0113	113	106	100-109	2





97104

SPANNERS & HOOK SPANNERS

Material

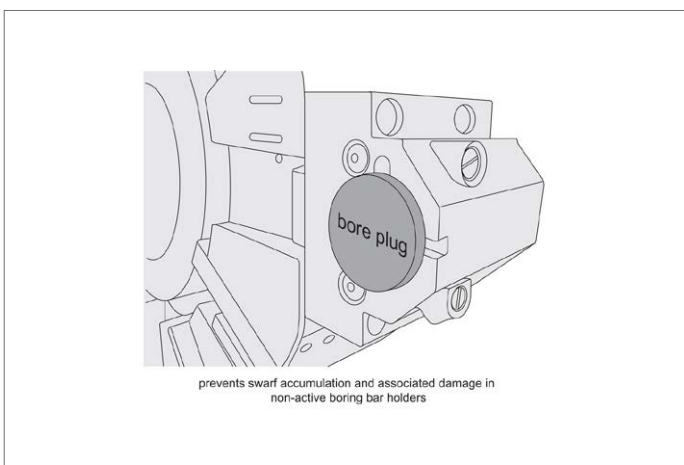
Body: aluminium (hard coat anodized).

coolant build up in boring bar holders, and as a result also prolongs tool holder life.

Technical Notes

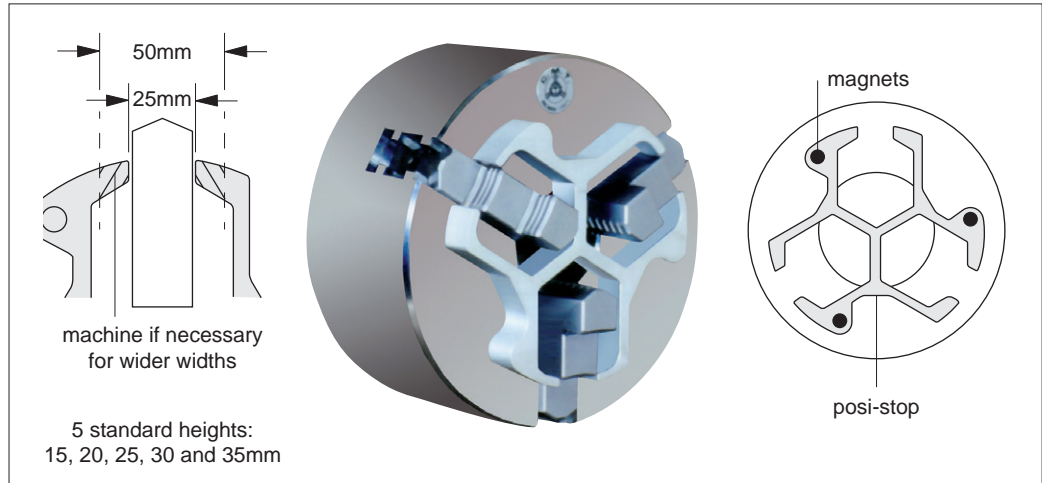
The bore plug is used to prevent swarf and

Order No.	d ₁	h ₁	l ₁	d ₂	Type
97104.W0025	25	6.4	68.5	36.5	Metric
97104.W0032	32	6.4	68.5	42.9	Metric
97104.W0040	40	6.4	68.5	49.2	Metric
97104.W0050	50	6.4	68.5	61.9	Metric
97104.W0100I	1"	0,25"	2,75"	1,44"	Inch
97104.W0125I	1-1/4"	0,25"	2,75"	1,69"	Inch
97104.W0150I	1-1/2"	0,25"	2,75"	1,94"	Inch
97104.W0200I	2"	0,25"	2,75"	2,44"	Inch





97100 Posi-Stops

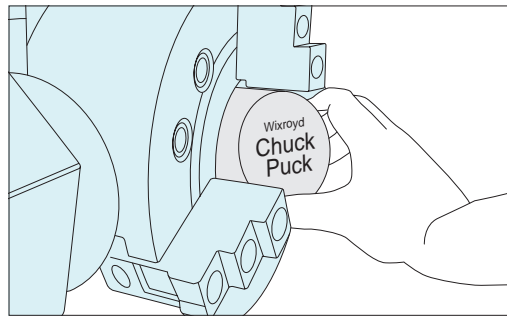


Chuck “Posi-stops” provide a quick and accurate method of moving workpieces away from the face of the chuck. Often used to enable the workpiece to be machined more closely to its extremity or for shorter workpieces.

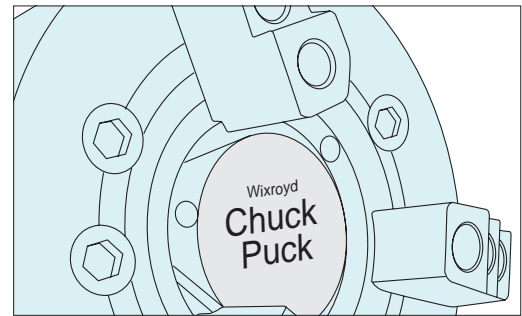
Each posi-stop has strong magnets on the bottom face so that the stop snaps firmly over the chuck jaws and onto the chuck face. There are five standard thicknesses; 15, 20, 25, 30 and 35mm (accuracy $\pm 0.01\text{mm}$) or they can be purchased as a set.

The posi-stops are made for a standard jaw width of 25mm but they can easily be opened up (mill or saw) to accommodate wider jaw widths.

97103 Chuck Puck

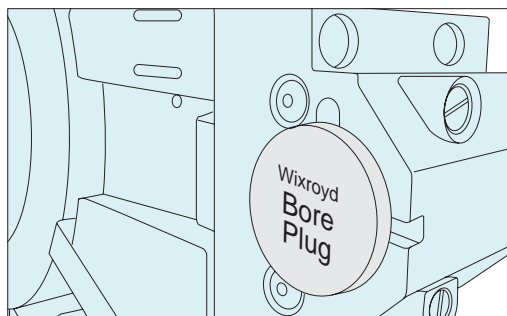


Chuck plug easy to install - just squeeze into the chuck hole.

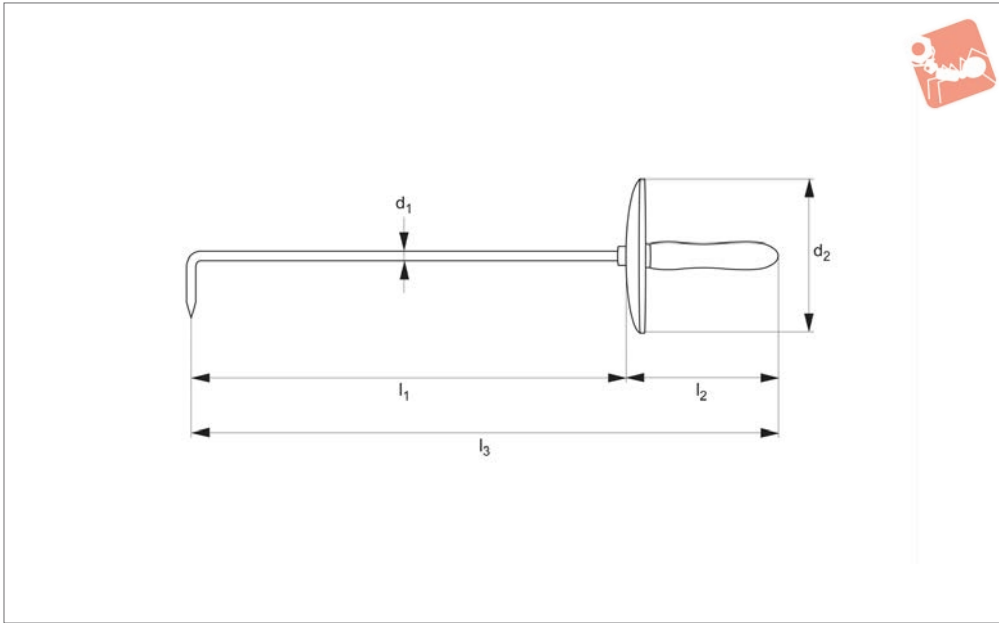


Prevents build up of swarf and coolant, reduces vibration as well as wear of the chuck and spindle.

97104 Bore Plug



Prevents swarf accumulation and associated damage in non-active boring bar holders.



97050

SPANNERS & HOOK SPANNERS

Material

Hook and guard: steel.
Handle: wood.

Technical Notes

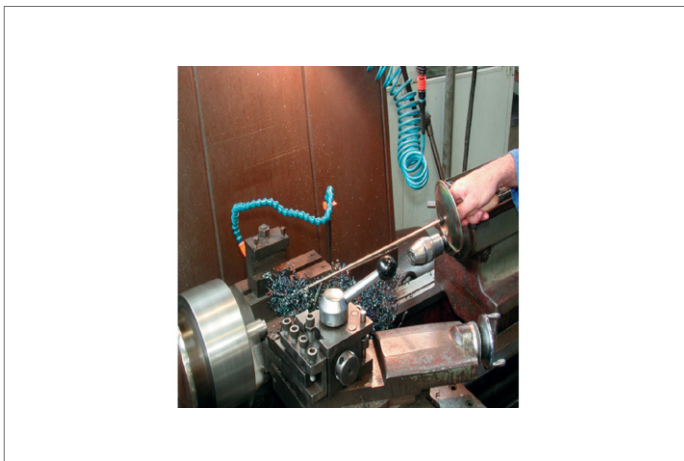
Excellent for removing swarf or chips from in and around workpieces for mills and

lathes. Extended hook minimises risk to operator.
Part number 97050.W2050 has rigid fixing (brazed-soldered).
All other parts have flexible fixing (rubber).

Important Notes

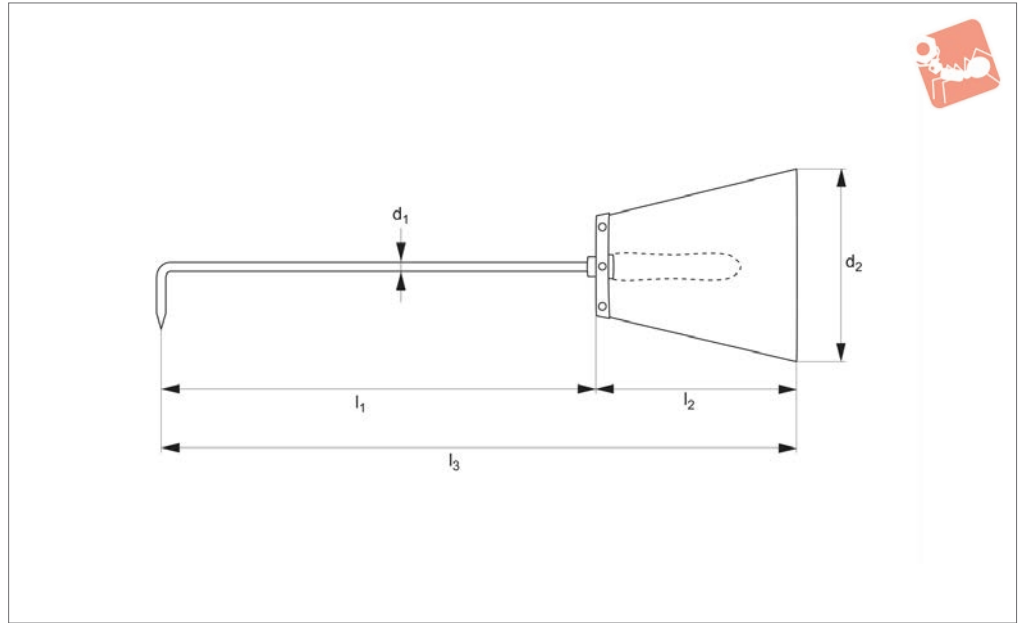
Take all necessary safety precautions when using this product in or around working machinery. If in doubt shut down machine.

Order No.	Guard fixing	d ₁	l ₁	l ₂	l ₃	d ₂
97050.W2020	Flexible-circlip	5	180	125	305	115
97050.W2030	Flexible-circlip	6	280	130	410	130
97050.W2040	Flexible-circlip	6	400	130	530	140
97050.W2050	Rigid-welded	6	400	130	530	140





97052



Material

Hook: steel.
Guard: plastic.
Handle: wood.

Technical Notes

Excellent for removing swarf or chips from

in and around workpieces for mills and lathes. Extended hook minimises risk to operator.

Important Notes

Take all necessary safety precautions when using this product in or around working

machinery. If in doubt shut down machine.

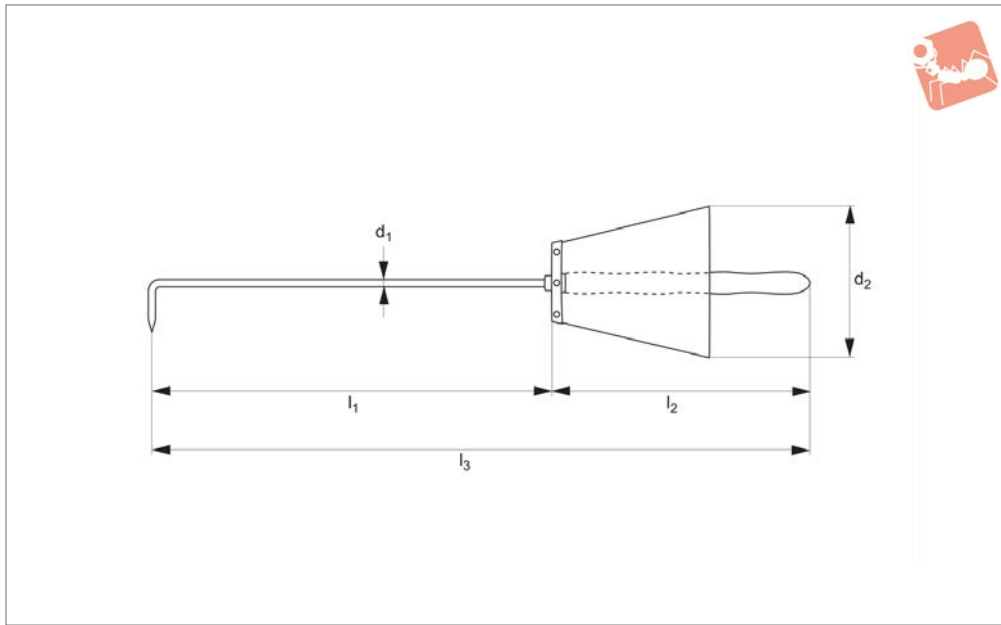
Order No.	d ₁	l ₁	l ₂	l ₃	d ₂
97052.W2060	6	400	180	570	180
97052.W2070	7	500	180	670	180



Chip Hooks

full plastic guard - long handle

Spanners & Hook Spanners



97053

SPANNERS & HOOK SPANNERS

Material

Hook: steel.
Guard: plastic.
Handle: wood.

in and around workpieces for mills and lathes. Extended hook minimises risk to operator.

machinery. If in doubt shut down machine.

Technical Notes

Excellent for removing swarf or chips from

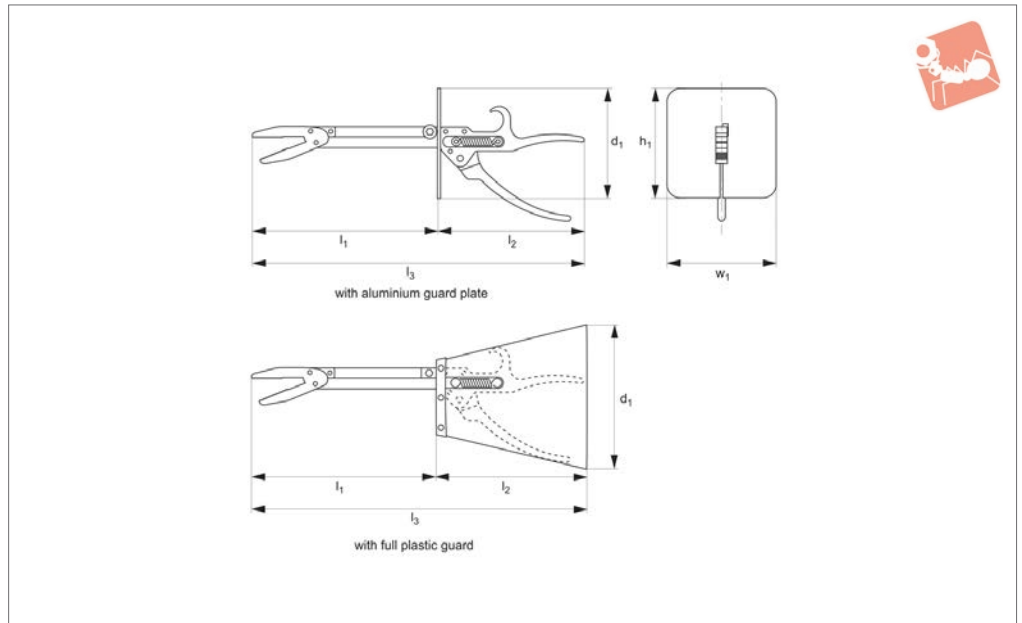
Important Notes

Take all necessary safety precautions when using this product in or around working

Order No.	d ₁	l ₁	l ₂	l ₃	d ₂
97053.W2080	7	500	320	820	180
97053.W2090	8	800	320	1120	180
97053.W2100	8	1000	320	1320	180



97060



Material

Handle and cutter: steel.
Guard: plastic or aluminium.

Important Notes

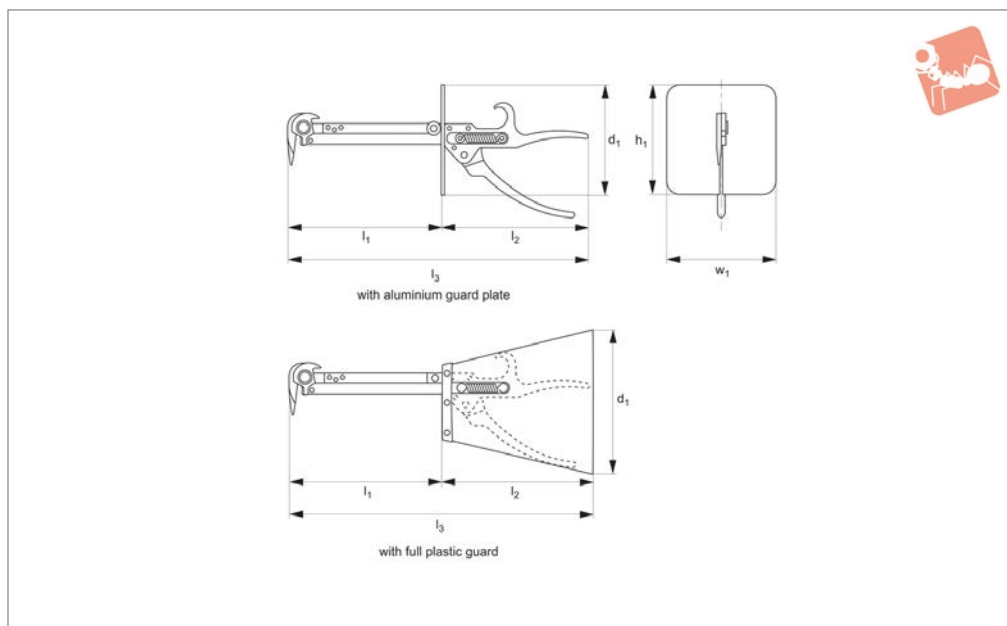
Take all necessary safety precautions when using this product in or around working

machinery. If in doubt shut down machinery.

Order No.	Guard material	d ₁	h ₁ x w ₁	l ₁	l ₂	l ₃
97060.W1025	Aluminium	-	85x85	175	155	330
97060.W1035	Plastic	180	-	175	180	355



Chip Cutter and Hook with hand guard



97061

SPANNERS & HOOK SPANNERS

Material

Handle and cutter: steel.
Guard: plastic or aluminium.

Technical Notes

Max. capacity of cutter is clip section of

1,5mm² (e.g. 0,25mm x 6mm).

Tips

Part no. 97061 has added benefit of hook as well as cutter for improved removal of difficult to reach swarf/chips.

Important Notes

Take all necessary safety precautions when using this product in or around working machinery. If in doubt shut down machinery.

Order No.	Guard material	d ₁	h ₁ x w ₁	l ₁	l ₂	l ₃
97061.W1050	Aluminium	-	85x85	165	155	320
97061.W1060	Plastic	180	-	165	180	345

