

91990

HEX KEYS & WRENCHES

Material

Steel, zinc plated.

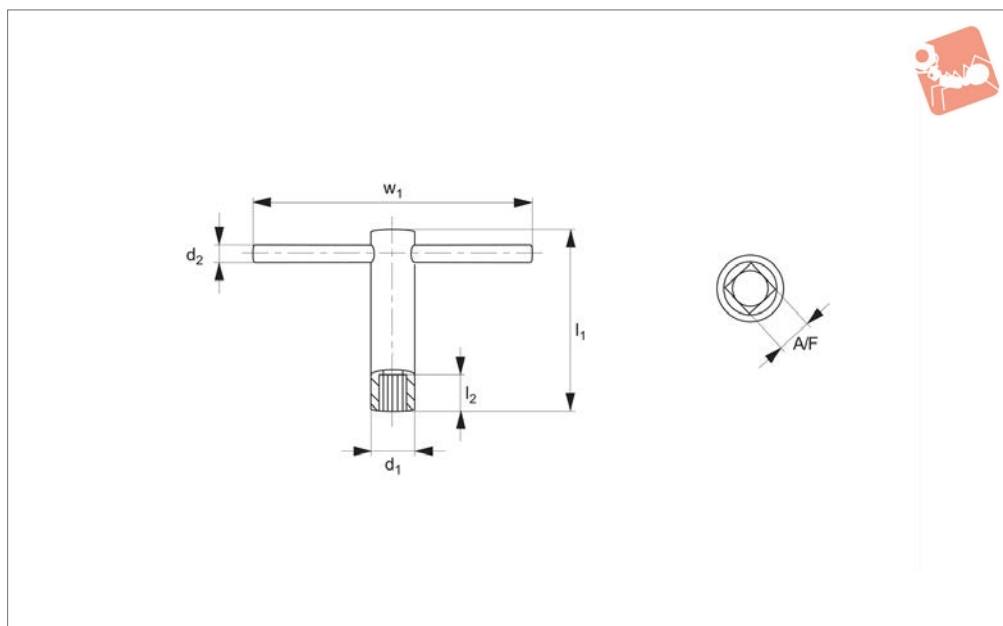
Technical Notes

For use with triangular screws to DIN 22424, and triangular nuts to DIN 22425.

Order No.	For thread	d ₁	d ₂	l ₁	l ₂	w ₁	w ₂	w ₃	Weight g
91990.W0004	M 4	9	4	90	4	50	7.7	6.8	20
91990.W0005	M 5	12	6	100	5	65	9.4	8.3	30
91990.W0006	M 6	14	6	115	6	80	11.4	10.1	60
91990.W0008	M 8	16	8	125	8	100	13.7	12.1	80
91990.W0010	M10	20	8	140	10	125	17.1	15.1	160
91990.W0012	M12	20	10	160	12	160	18.9	16.6	240
91990.W0016	M16	25	12	180	16	200	23.5	20.6	400



92000



Material

Steel (C35/C45).

Body and socket: tempered, hardened and

brown finish.

Technical Notes

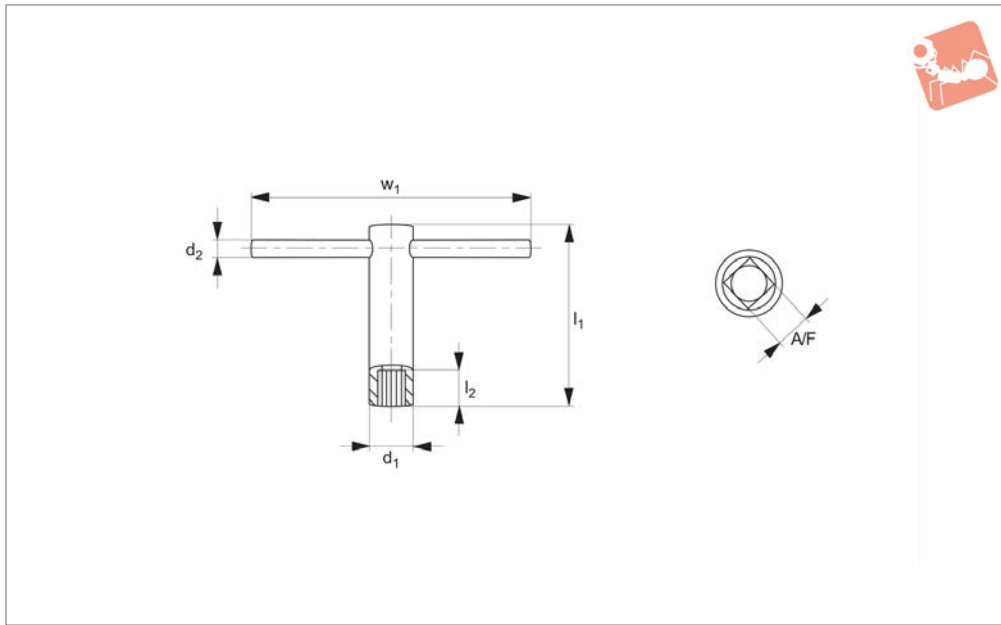
Produced to DIN 904.

Order No.	A/F	d_1	d_2	l_1	l_2	w_1	Weight g
92000.W0004	4	12.0	6.0	60	11	160	85
92000.W0005	5	12.0	6.0	60	11	160	85
92000.W0006	6	12.0	6.0	80	12	160	100
92000.W0007	7	14.6	6.0	80	15	160	130
92000.W0008	8	16.0	9.0	80	15	180	180
92000.W0009	9	18.0	9.0	100	18	180	245
92000.W0010	10	20.0	11.0	100	18	200	340
92000.W0012	12	24.0	12.0	100	21	250	520
92000.W0013	13	24.0	12.0	100	22	250	520
92000.W0014	14	28.0	14.6	120	24	320	875
92000.W0017	17	34.0	16.0	160	28	400	1625
92000.W0019	19	36.0	16.0	200	30	400	2035
92000.W0022	22	42.0	18.0	200	34	500	2900
92000.W0024	24	45.0	20.0	250	36	630	4270



Square Drive Socket T-Wrench - Long

long - female



92010

HEX KEYS & WRENCHES

Material

Body: steel (C35/C45).

Socket: tempered, hardened and brown

finish.

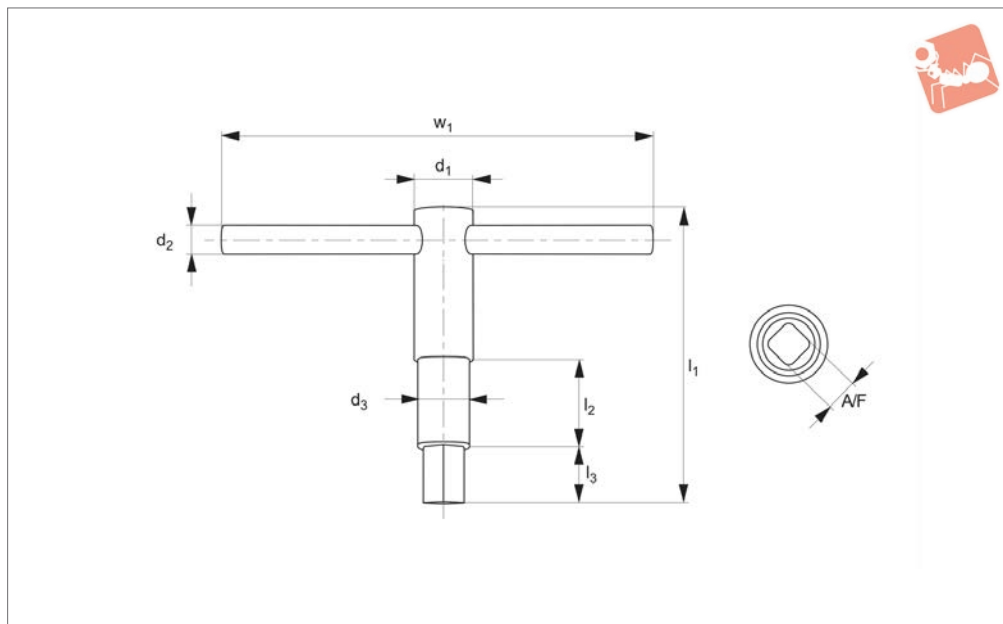
Technical Notes

Produced to DIN 904L.

Order No.	A/F	d ₁	d ₂	l ₁	l ₂	w ₁	Weight g
92010.W0005	5	12	6.0	120	11	160	100
92010.W0006	6	12	6.0	160	12	160	110
92010.W0008	8	16	9.0	160	15	180	210
92010.W0009	9	18	9.0	200	18	200	390
92010.W0010	10	20	11.0	200	18	200	390
92010.W0012	12	24	12.0	200	21	250	600
92010.W0013	13	24	12.0	200	22	250	600
92010.W0014	14	28	14.6	200	24	320	795
92010.W0017	17	34	16.0	250	28	400	1500
92010.W0019	19	36	16.0	320	30	400	1700



92050



Material

Body and socket; steel (C35/C45), tempered, hardened and with brown finish.

Technical Notes

Produced to DIN 905.
92050.W0004 and 92050.W0007 are not to

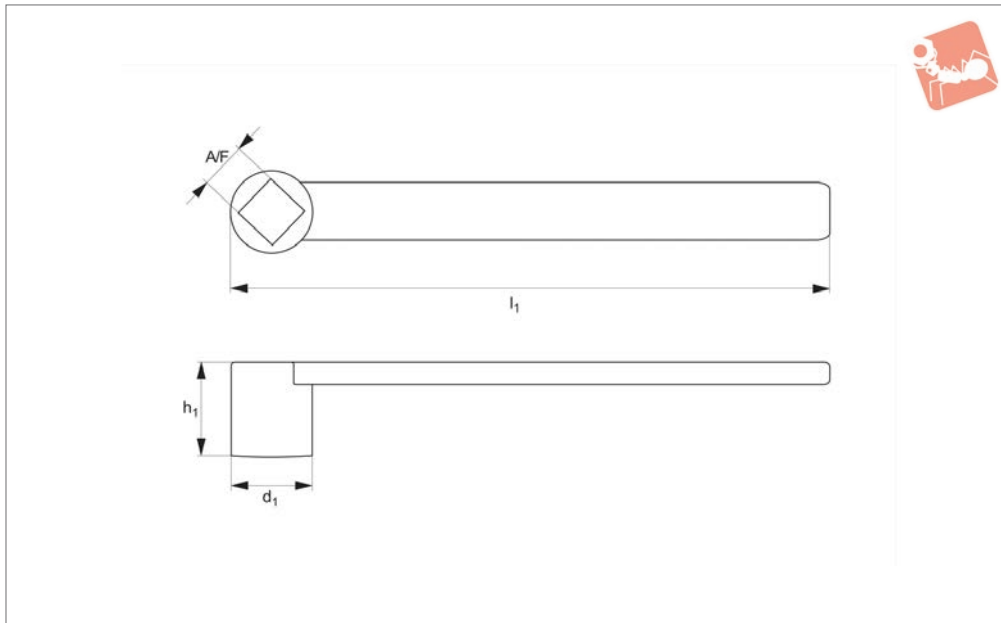
DIN standard.

Order No.	A/F	d ₁	d ₂	d ₃	l ₁	l ₂	l ₃	w ₁	Weight g
92050.W0004	-4	12.0	6.0	6	60	20	9	160	70
92050.W0005	5	12.0	6.0	8	60	20	11	160	70
92050.W0006	6	12.0	6.0	10	80	22	12	160	80
92050.W0007	-7	14.6	6.0	12	80	26	15	160	115
92050.W0008	8	16.0	9.0	14	80	26	15	180	180
92050.W0009	9	16.0	9.0	14	80	26	17	180	180
92050.W0010	10	20.0	11.0	18	100	30	18	200	320
92050.W0011	11	20.0	11.0	18	100	30	20	200	320
92050.W0012	12	24.0	12.0	20	100	38	21	250	450
92050.W0013	13	24.0	12.0	20	100	38	22	250	450
92050.W0014	14	28.0	14.6	22	120	38	24	320	780
92050.W0017	17	34.0	16.0	25	160	50	28	400	1500
92050.W0019	19	36.0	16.0	28	200	50	30	400	1850
92050.W0022	22	42.0	20.0	32	200	65	34	630	3100



Square Socket Wrench female

Hex Keys & Wrenches



92060

HEX KEYS & WRENCHES

Material

Steel (C35/C45) hardened, tempered, with brown finish.

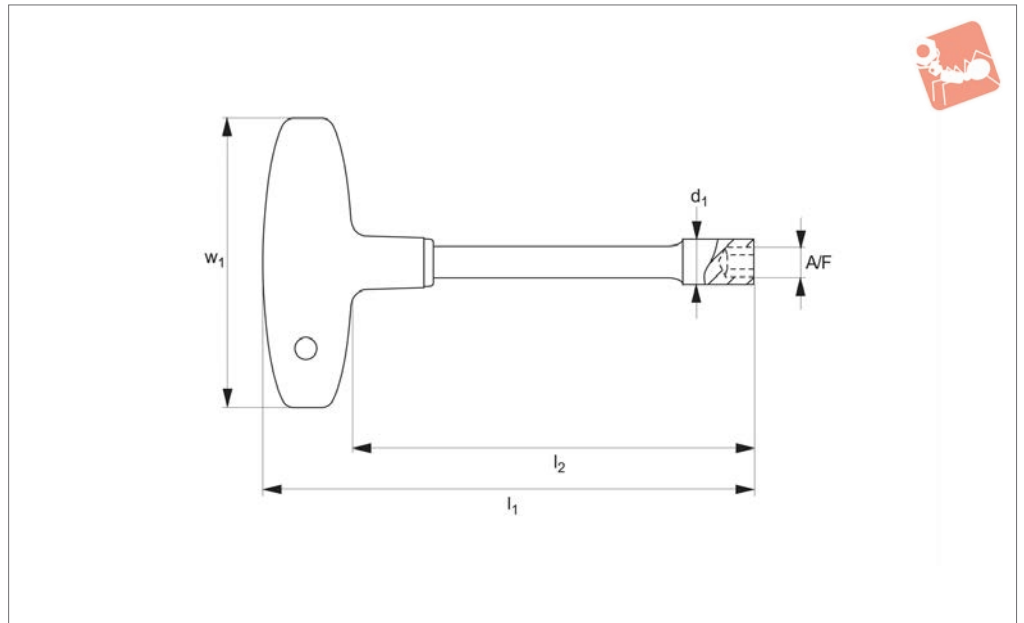
Technical Notes

Produced to DIN 248.

Order No.	A/F	d ₁	h ₁	l ₁	Weight g
92060.W0008	8	17	20.0	160	85
92060.W0010	10	21	22.5	195	165
92060.W0012	12	24	26.5	235	275
92060.W0013	13	26	27.5	250	300
92060.W0014	14	27	30.5	270	420
92060.W0017	17	30	37.0	315	530
92060.W0019	19	35	41.0	345	715
92060.W0022	22	39	46.0	385	900
92060.W0024	24	43	49.0	415	975



92070



Material

Blade: chrome vanadium, hardened, chrome plated.

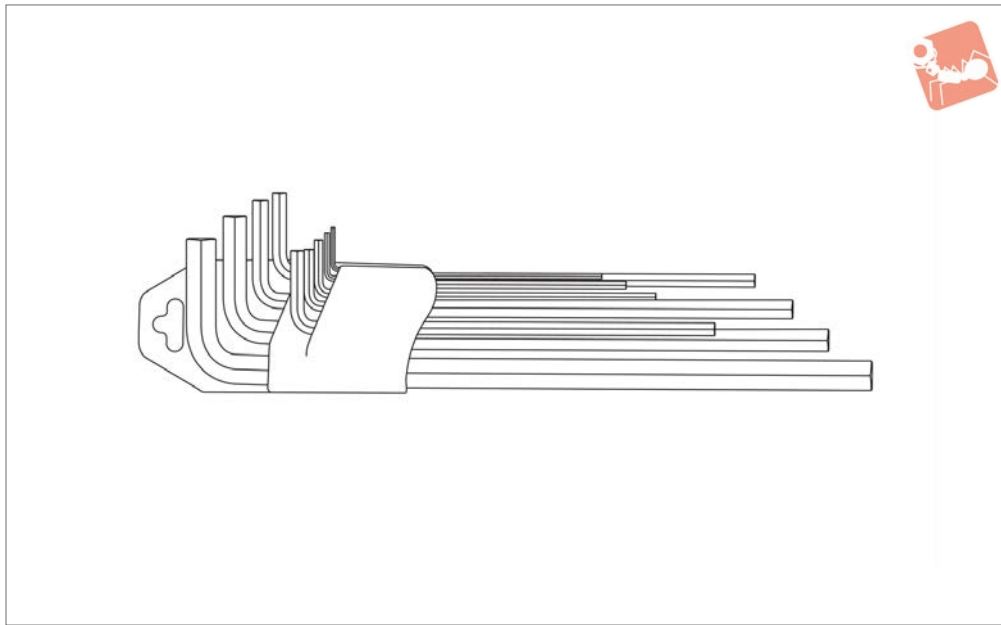
Handle: shock resistant black plastic.

Order No.	A/F	d ₁	l ₁	l ₂	w ₁	Weight g
92070.W0008	8	16	151	125	100	140
92070.W0010	10	17	151	125	100	150



Hexagon Keys - Long

in clip set - blackened or nickel plated



90180

HEX KEYS & WRENCHES

Material

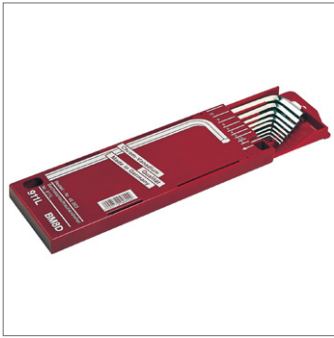
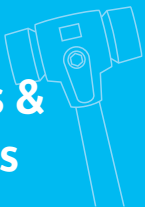
Keys: steel, hardened chrome vanadium.
Blackened or nickel plated.
Clip: part nos. 90180.W0007 and .W0009;

plastic polyamide, red. Part no. 90180.
W0908; plastic polyamide, yellow.

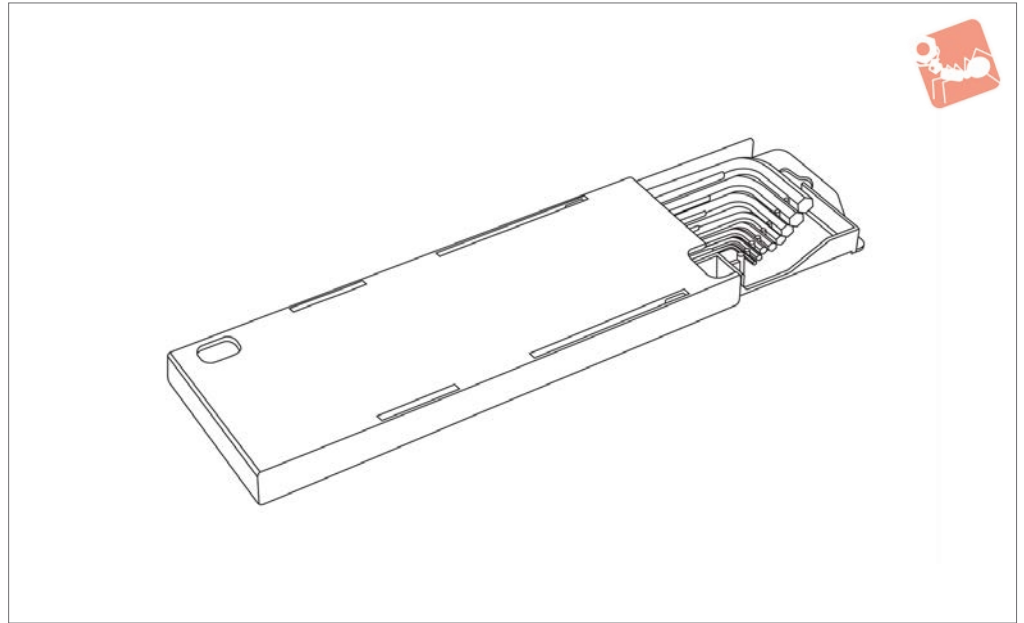
Technical Notes

High quality hex. key sets.
Parts to DIN 911 LC/LD and ISO 2936 LC/LD.

Order No.	Pieces	Finish	Contents A/F mm/inch	Weight g
90180.W0007	9 metric	Nickel Plated	1,5, 2, 2,5, 3, 4, 5, 6, 8, 10	415
90180.W0009	9 metric	Blackened	1,5, 2, 2,5, 3, 4, 5, 6, 8, 10	415
90180.W0908	9 inch	Nickel Plated	5/64", 3/32", 1/8", 5/32", 3/16", 7/32", 1/4", 5/32"	395



90210



Material

Keys: steel, hardened chrome vanadium, nickel plated.

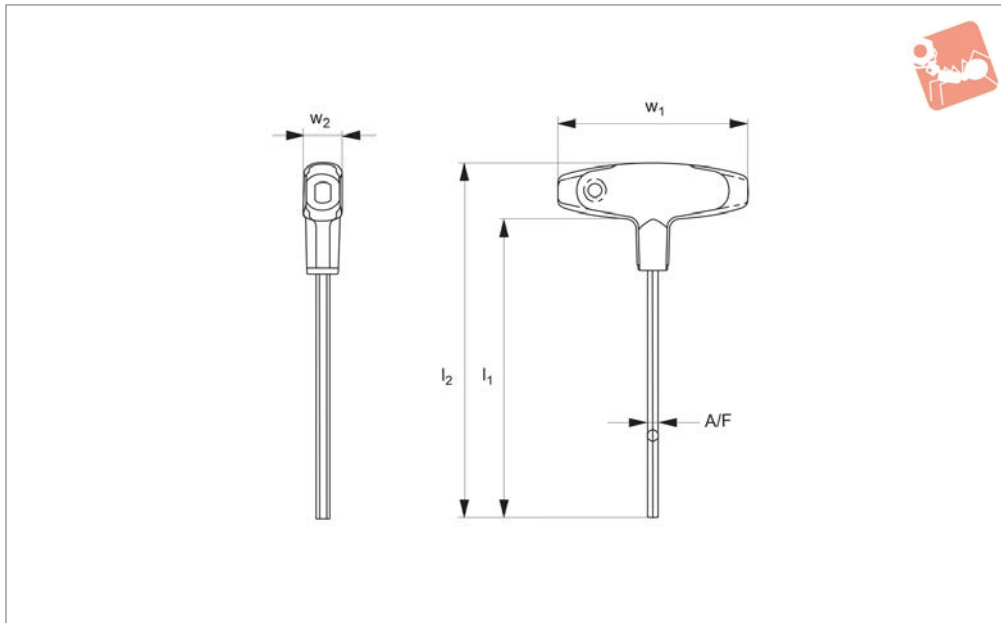
Box: red impact resistant plastic.

Parts to DIN 911 LD and ISO 2936 LD.

Technical Notes

High quality hex. key sets.

Order No.	Box l x w x h	Pieces	Contents A/F	Weight g
90210.W0008	265x88x17	8	2, 2,5, 3, 4, 5, 6, 8, 10	535



90300

HEX KEYS & WRENCHES

Material

Blade: steel, hardened chrome vanadium, nickel plated.

Handle: ergonomic soft red plastic.

Features hang-up hole.

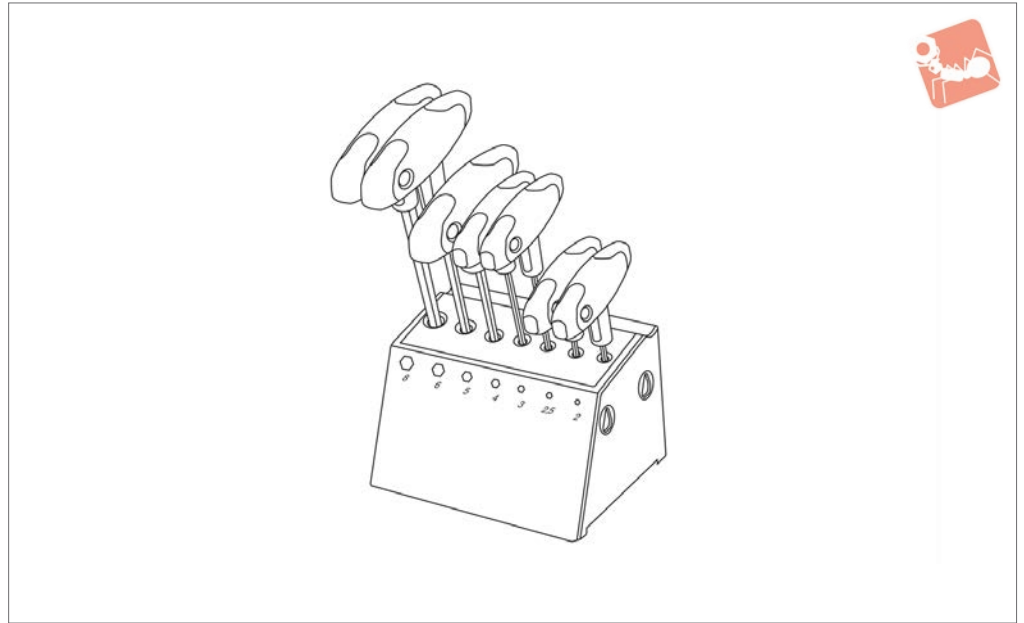
Technical Notes

Grip shape optimised for comfortable use.

Order No.	l_1	l_2	w_1	w_2	A/F	A/F inch	Weight g
90300.W0020	100	125	80	15.5	2	5/64"	18
90300.W0025	100	125	80	15.5	2.5	-	24
90300.W0026	200	225	80	15.5	2.5	-	30
90300.W0030	100	125	80	15.5	3	-	24
90300.W0031	150	175	80	15.5	3	-	30
90300.W0041	150	175	80	15.5	4	5/32"	36
90300.W0043	300	325	80	15.5	4	5/32"	50
90300.W0051	150	181	100	19.5	5	-	60
90300.W0053	350	381	100	19.5	5	-	100
90300.W0062	200	231	100	19.5	6	-	84
90300.W0063	350	381	100	19.5	6	-	130
90300.W0082	200	231	100	19.5	8	5/16"	125
90300.W0083	350	381	100	19.5	8	5/16"	200
90300.W0100	100	138	100	19.5	10	-	165
90300.W0102	350	338	100	19.5	10	-	350



90310



Material

Blade: steel, hardened chrome vanadium, nickel plated.
Handle: shock resistant red plastic, with

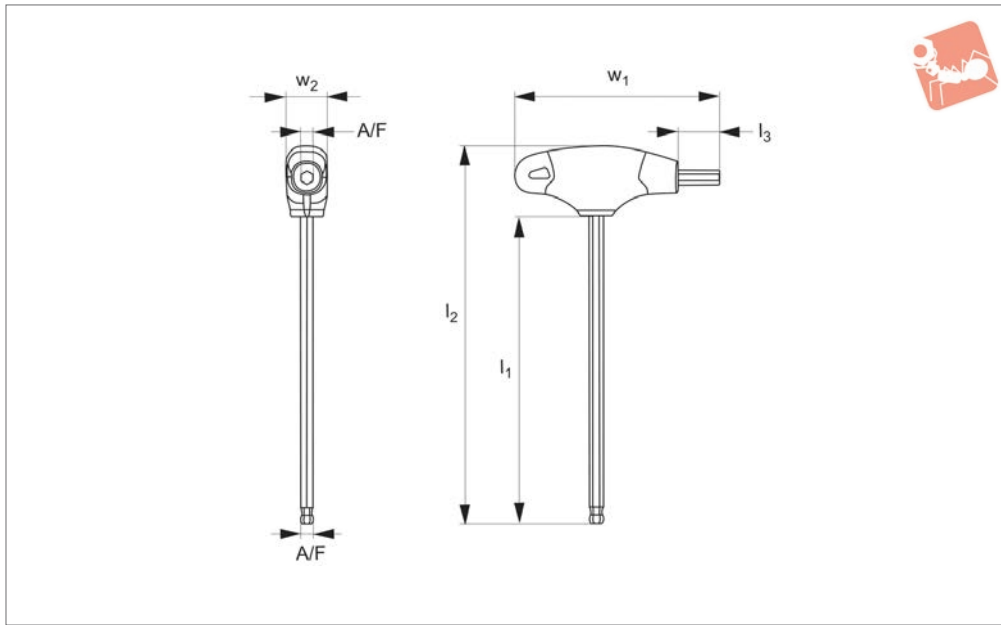
black plastic grip.

Stand: shock resistant plastic.

Tips

Stand features clips for connecting additional workshop stands.

Order No.	Pieces	A/F 2 x l	A/F 2,5 x l	A/F 3 x l	A/F 4 x l	A/F 5 x l	A/F 6 x l	A/F 8 x l	Weight g
90310.W0022	7	100	100	150	150	150	200	200	650



90370

HEX KEYS & WRENCHES

Material

Blade: steel, hardened chrome vanadium, nickel plated, with black tip.
Grip: ergonomic soft red plastic.

Technical Notes

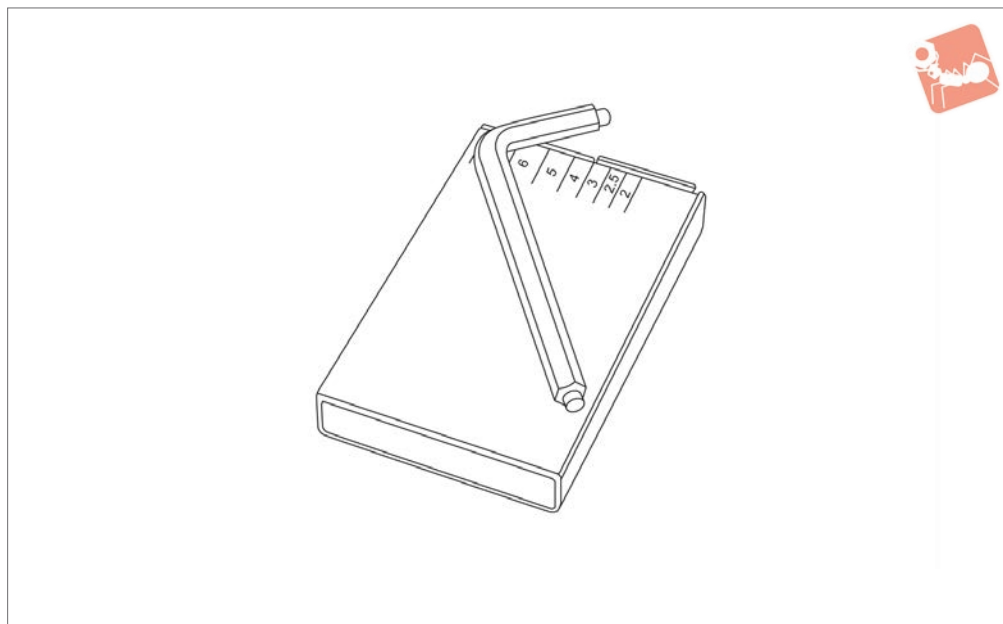
Long arm, with ball end hexagon, for speed.
Short arm, standard hexagon, for final

tightening.

Order No.	l_1	l_2	l_3	w_1	w_2	A/F	Weight g
90370.W0031	125	151	15	75	16	3	25
90370.W0041	125	151	15	75	16	4	33
90370.W0051	150	184	20	100	21	5	60
90370.W0061	150	184	20	100	21	6	83



90490



Material

Key: Steel, hardened chrome vanadium, nickel plated.
Box: red plastic, shock resistant.

Technical Notes

Used with socket head cap screws (DIN

6912), these hexagon keys, with pilot pin provide added security to components in a variety of applications. Sizes 2 and 2,5mm are standard hex. keys.

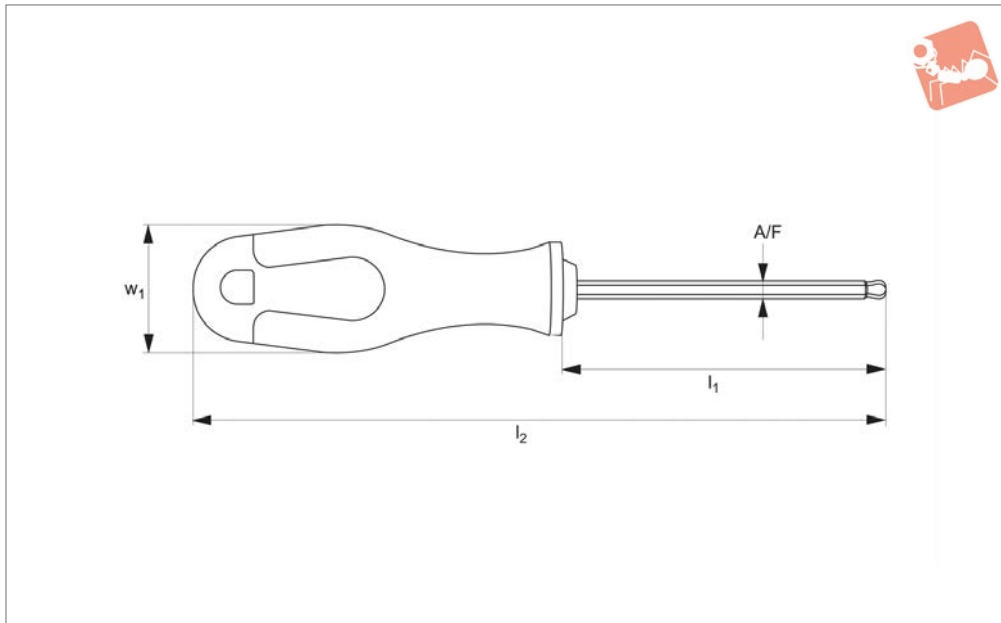
Tips

Other sizes available on request.

Order No.	Box l x w x h	Pieces	Contents A/F	Weight g
90490.W0007	133x72x14	7	2, 2,5, 3, 4, 5, 6, 8	175



Ball-Ended Hex. Keys straight handle



90510

HEX KEYS & WRENCHES

Material

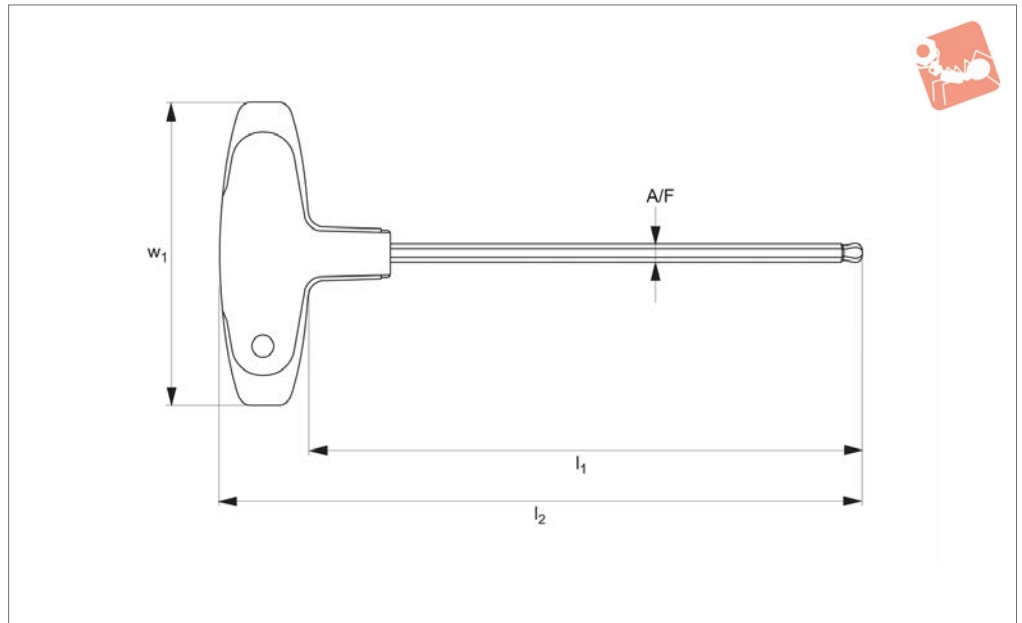
Blade: steel, hardened chrome vanadium, nickel plated

Handle: ergonomic red plastic, with soft black grip.

Order No.	l_1	l_2	w_1	A/F	Weight g
90510.W0002	100	190	19	2.5	35
90510.W0003	100	190	19	3.0	35
90510.W0004	100	200	21	4.0	50
90510.W0005	100	200	21	5.0	75



90520



Material

Blade: steel, hardened chrome vanadium, nickel plated.

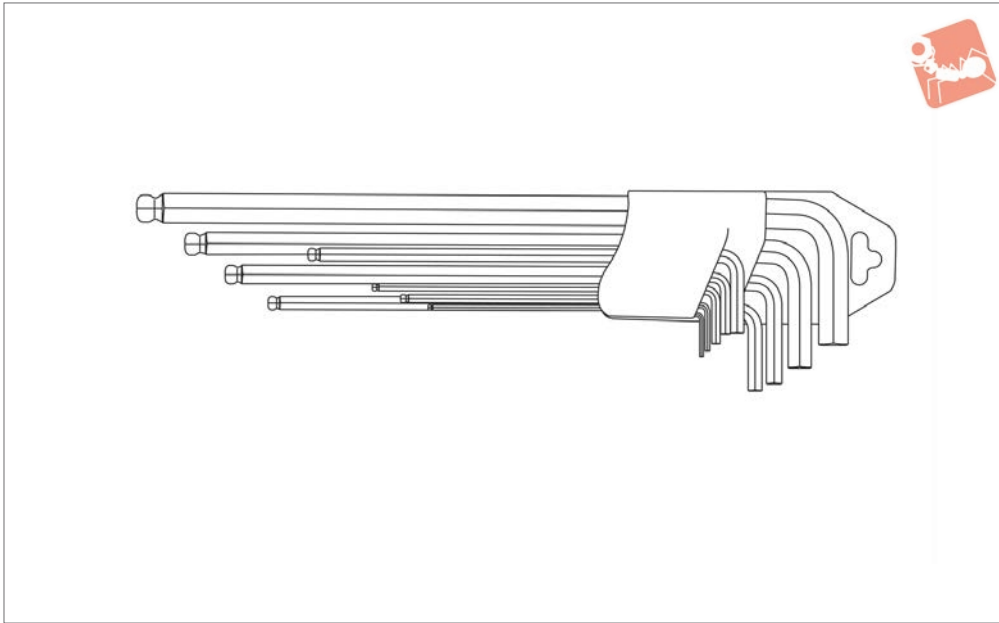
Handle: ergonomic soft red plastic handle.

Order No.	l_1	l_2	w_1	A/F	Weight g
90520.W0004	150	175	80	4	40
90520.W0005	150	181	100	5	65
90520.W0006	150	181	100	6	80
90520.W0008	200	231	100	8	130



Hex Keys Set - Ball Ended clip set - long

Hex Keys & Wrenches



90530

HEX KEYS & WRENCHES

Material

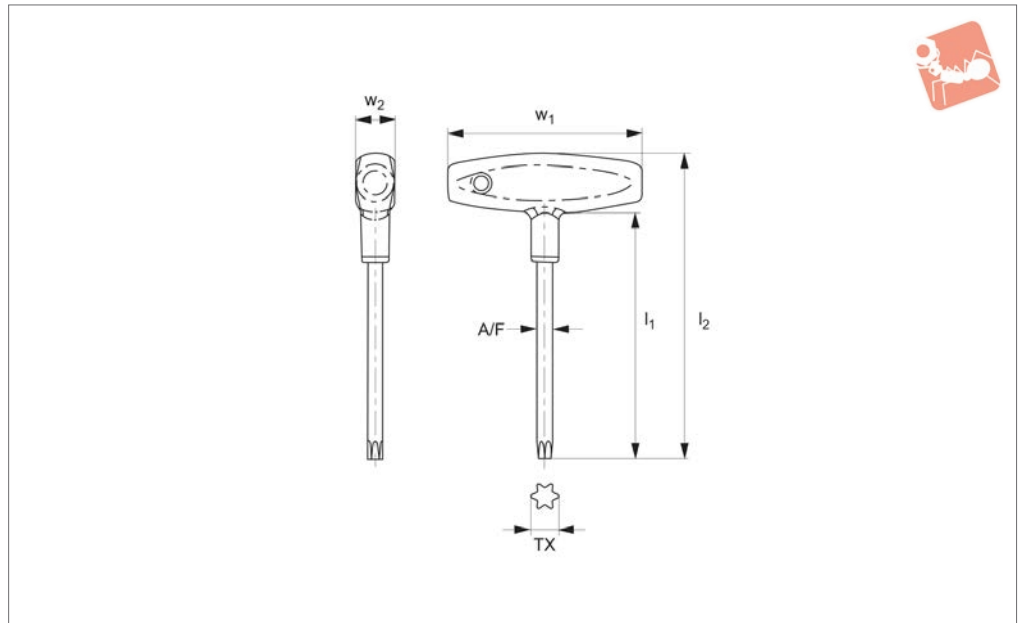
Keys: steel, hardened chrome vanadium,
blackened or nickel plated.

Clip: ergonomic red plastic.

Order No.	Pieces	Finish	Contents A/F	Weight g
90530.W0009	9	Blackened	1,5, 2, 2,5, 3, 4, 5, 6, 8, 10	440
90530.W0109	9	Nickel Plated	1,5, 2, 2,5, 3, 4, 5, 6, 8, 10	440



90620



Material

Blade: steel, hardened chrome vanadium.
 Handle: shock resistant green plastic.

Technical Notes

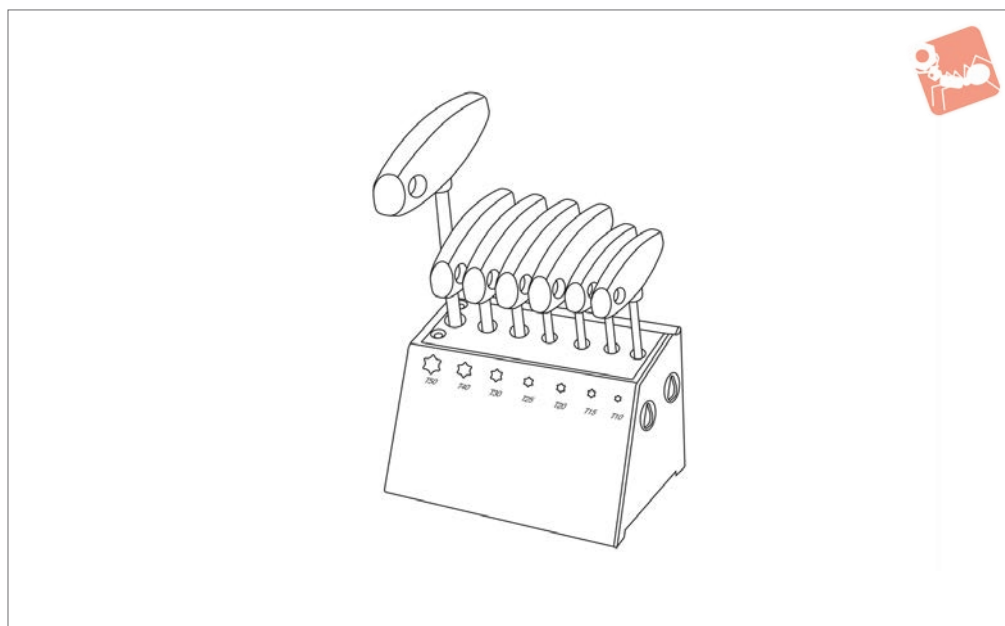
Torx is a registered trademark of Camcar/ Textron Inc.

Order No.	TX size	l_1	l_2	w_1	w_2	A/F	Weight g
90620.W0009	TX 9	100	125	80	15.5	2.5	35
90620.W0010	TX 10	100	125	80	15.5	2.7	35
90620.W0015	TX 15	100	125	80	15.5	3.3	36
90620.W0020	TX 20	100	125	100	19.5	3.9	60
90620.W0025	TX 25	100	125	100	19.5	4.4	60
90620.W0027	TX 27	100	131	100	19.5	5.0	70
90620.W0030	TX 30	100	131	100	19.5	5.5	75
90620.W0040	TX 40	100	131	100	19.5	6.7	80
90620.W0050	TX 50	150	188	120	23.5	8.8	160



T-Handled TX Keys Set with workstand

Hex Keys & Wrenches



90630

HEX KEYS & WRENCHES

Material

Blade: steel, hardened chrome vanadium.
Chrome plated, with black tip.

Handle: shock resistant green plastic.

Workstand: shock resistant green plastic.

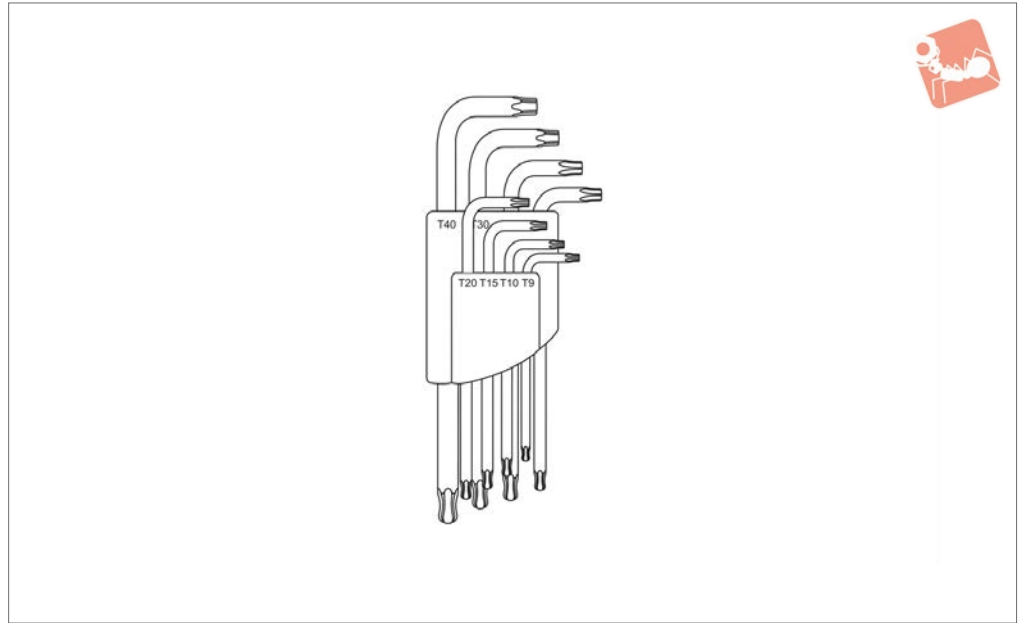
Technical Notes

With T-handled TX keys part no. 90620.

Order No.	Pieces	TX10 x l	TX15 x l	TX20 x l	TX25 x l	TX30 x l	TX40 x l	TX50 x l	Weight g
90630.W0001	7	100	100	100	100	100	100	150	660



90640

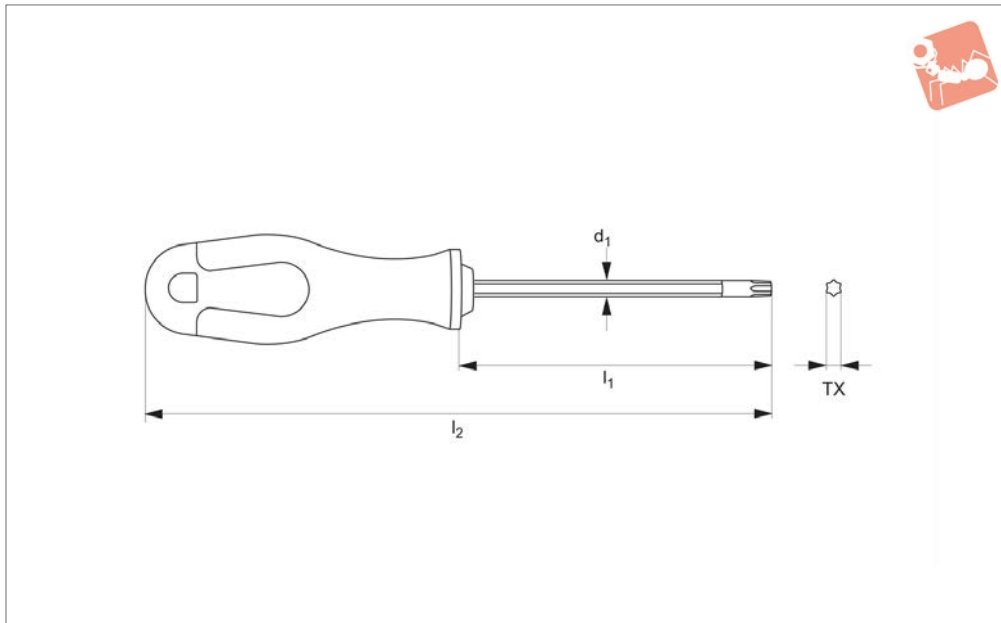


Material

Blade: steel, hardened chrome vanadium, blackened.

Clip: green and black impact resistant plastic.

Order No.	Pieces	Contents TX	Weight g
90640.W0008	8	TX9, TX10, TX15, TX20, TX25, TX27, TX30, TX40	165



90650

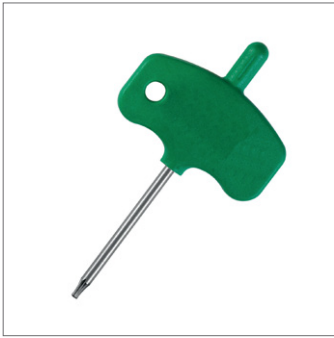
HEX KEYS & WRENCHES

Material

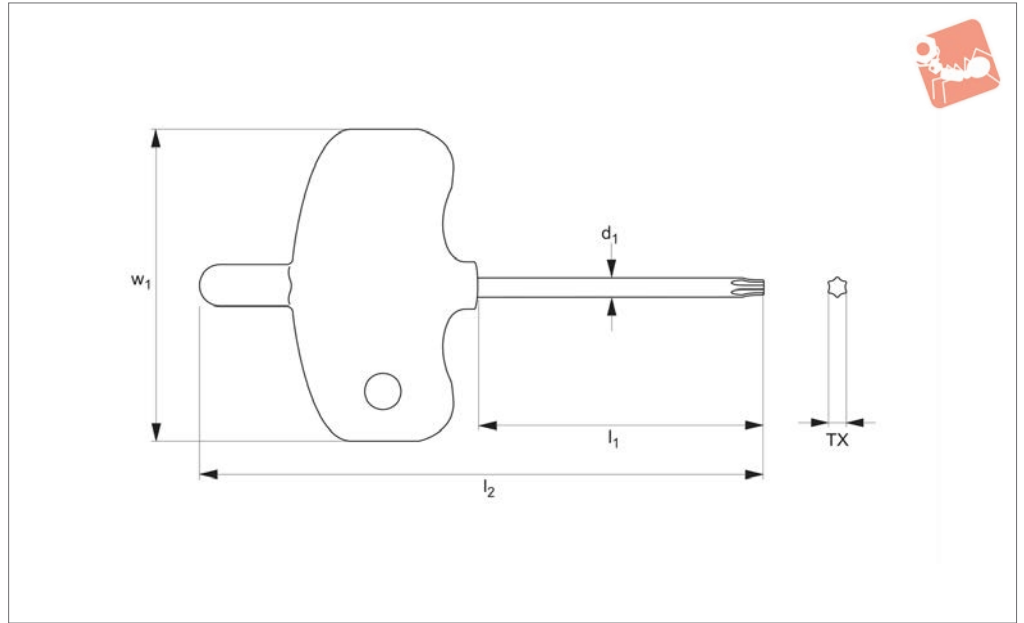
Blade: steel, hardened chrome vanadium, blackened.

Handle: green and black impact resistant plastic.

Order No.	TX	d ₁	l ₁	l ₂	Weight g
90650.W0008	TX 8	2.3	60	140	37
90650.W0009	TX 9	2.5	60	140	37
90650.W0010	TX10	2.7	80	160	39
90650.W0015	TX15	3.3	80	170	41
90650.W0020	TX20	3.9	100	190	56
90650.W0025	TX25	4.4	100	200	60



90670

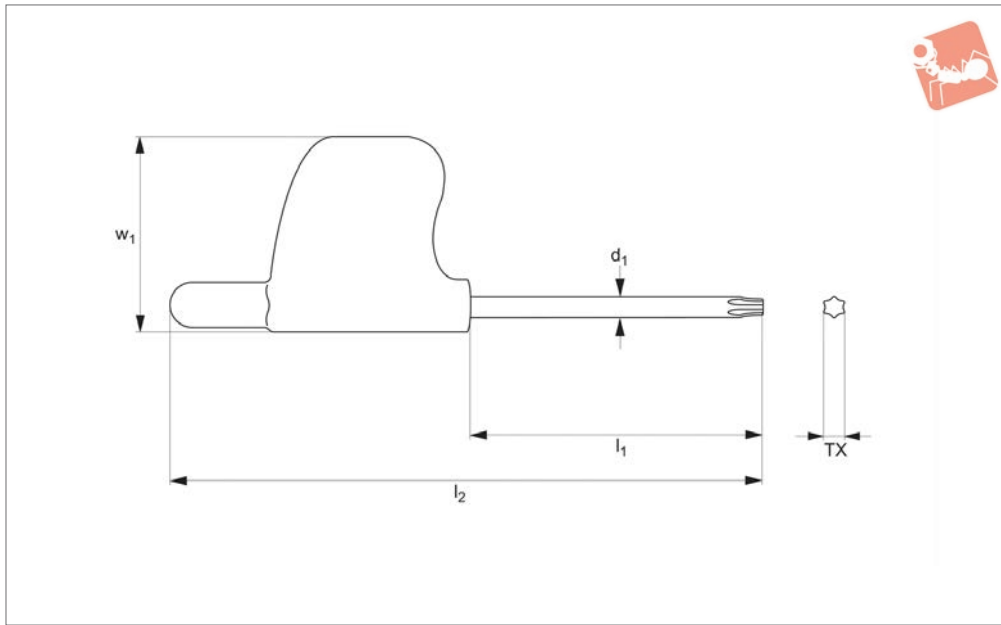


Material

Handle: shock resistant green plastic.

Blade: steel, hardened chrome vanadium, blackened.

Order No.	TX	d_1	l_1	l_2	w_1	Weight g
90670.W0006	TX 6	1.7	35	70	38	14
90670.W0007	TX 7	2.0	35	70	38	14
90670.W0008	TX 8	2.3	40	75	38	14
90670.W0009	TX 9	2.5	40	75	38	15
90670.W0010	TX10	2.7	40	75	38	15



90680

HEX KEYS & WRENCHES

Material

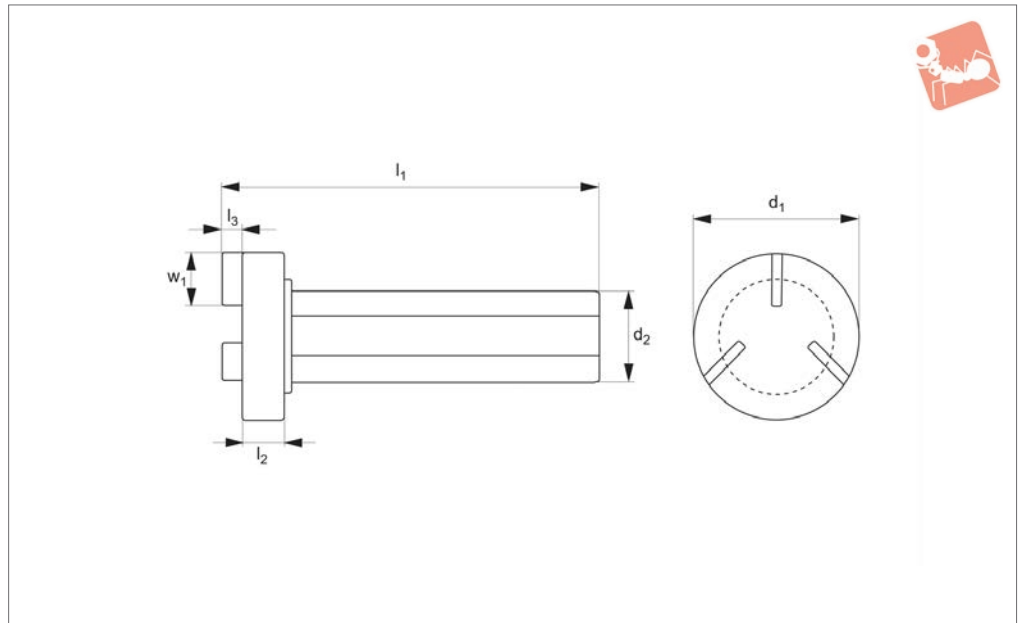
Blade: steel, hardened chrome vanadium.

Handle: shock resistant green plastic.

Order No.	TX	d ₁	l ₁	l ₂	w ₁	Weight g
90680.W0005	TX 5	1.4	35	69	22	4
90680.W0006	TX 6	1.7	35	69	22	4
90680.W0007	TX 7	2.0	35	69	22	4
90680.W0008	TX 8	2.3	40	74	22	6
90680.W0009	TX 9	2.5	40	74	22	6
90680.W0010	TX10	2.7	40	74	22	7
90680.W0015	TX15	3.3	45	79	22	8
90680.W0020	TX20	3.9	45	79	22	8



91080



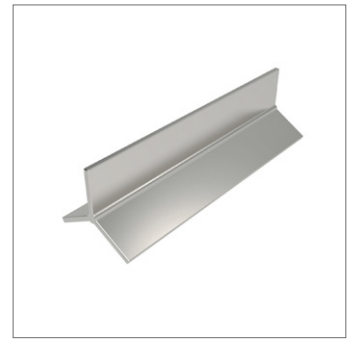
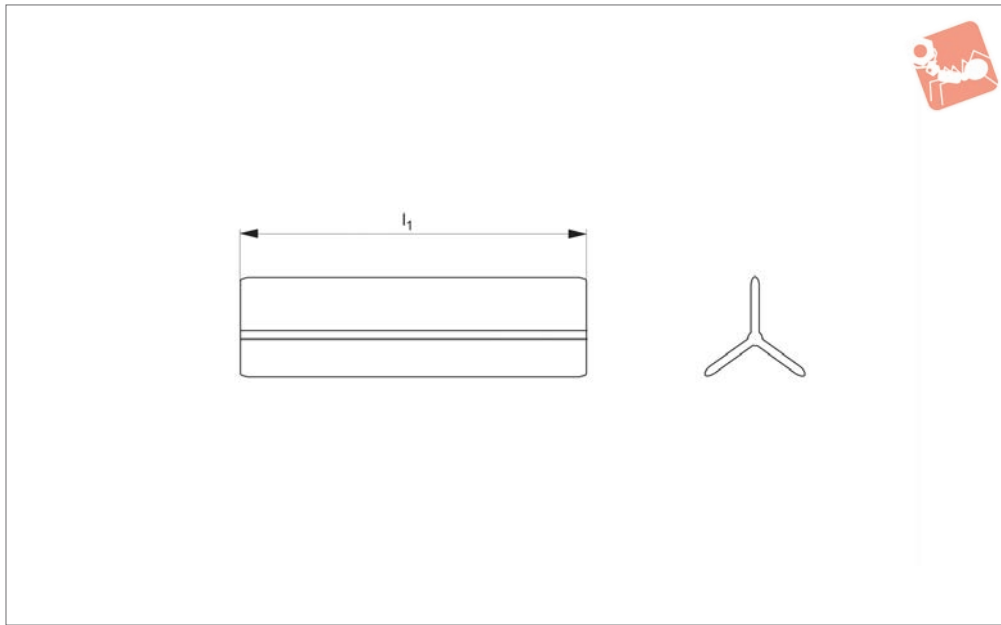
Material

Steel head and fins.
Red plastic handle.

Technical Notes

Simplifies insertion and removal of collets in the spindle nose on CNC lathes.

Order No.	Collet size	Fins	d_1	d_2	l_1	l_2	l_3	w_1	Weight g
91080.W0005	5C	3	31.8	27.9	109.2	12.7	7.6	7.6	159
91080.W0010	16C	3	44.5	27.9	109.2	12.7	7.6	7.6	277
91080.W0015	3J	4	44.5	27.9	109.2	12.7	7.6	7.6	281



91082

HEX KEYS & WRENCHES

Material

Aluminium

Technical Notes

Front loading collet stop:
1. Cut stop to desired length.

2. Insert stop into collet slots, tighten, face off and deburr.
3. Remove and insert machined end into collet. Face off to desired length and deburr.

4. Seat into collet and clamp workpiece. Once seated the collet need not be removed for adjustment.

Self-centering and re-usable.

Order No.	Collet size	l_1	Weight g
91082.W0020	5C	610	168