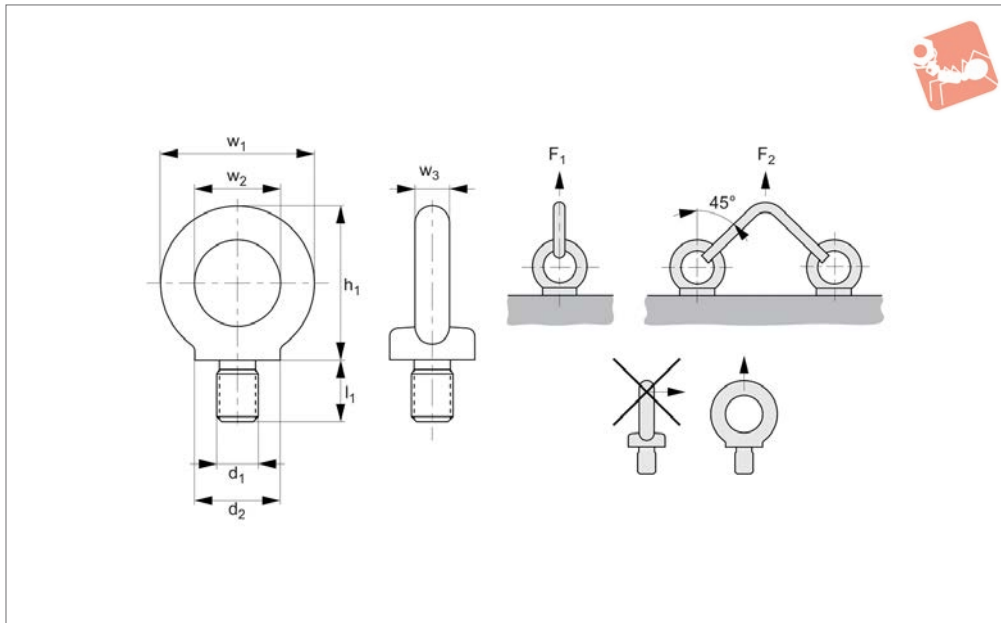




Stainless Male Lifting Eye Bolts

metric sizes

Lifting Eye Bolts & Nuts



18864

LIFTING EYE BOLTS & NUTS

Material

Stainless steel (A4, AISI 316).
CE marked.

Technical Notes

To DIN 580.

When using lifting eye bolts it is critical to ensure that the face is in firm contact with the mating surface.

These lifting bolts are generally installed and remain on a piece of equipment for the

purpose of transporting them. They are not for repeated lifting use - if this is required our swivelling lifting bolt range should be used.

Tips

Maximum load values are only applicable when the thread and the material, it is being used in is as least as strong as the that of the bolt.

F_1 and F_2 values given are for steel and cast

iron components.

Important Notes

Not to be used at lift angles of greater than 45° or with swivelling loads.

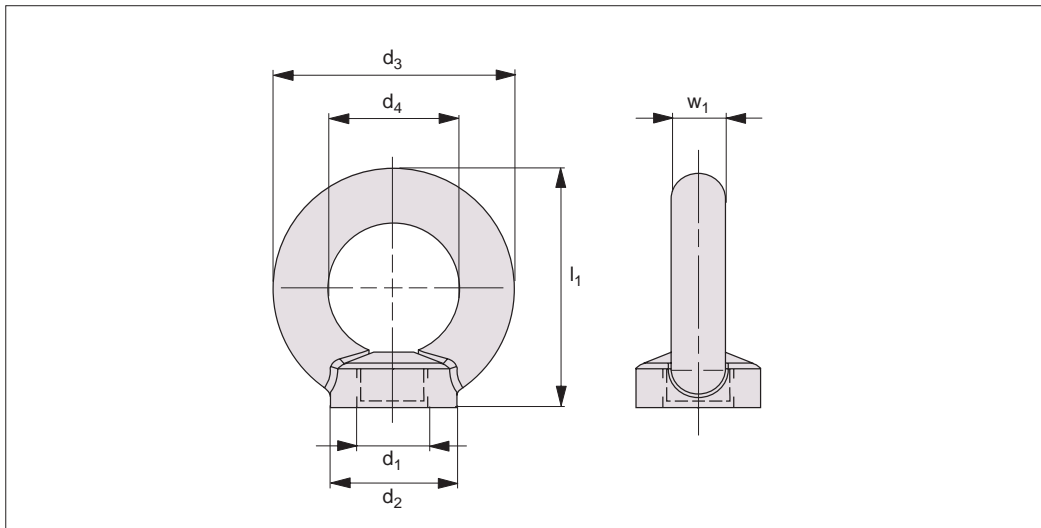
Please refer to the safety documentation before using this part.

Supplied with certificate and operating instructions.

Order No.	Material	d ₁	d ₂	w ₁	l ₁	h ₁	w ₂	w ₃	F ₁ kg max.	F ₂ kg max.	Weight kg
18864.W0006	A4 s/s	M 6	20	36	13.0	36	20	8	70	50	0.05
18864.W0008	A4 s/s	M 8	20	36	13.0	36	20	8	140	95	0.06
18864.W0010	A4 s/s	M10	25	45	17.0	45	25	10	230	170	0.11
18864.W0012	A4 s/s	M12	30	54	20.5	53	30	12	340	240	0.18
18864.W0016	A4 s/s	M16	35	63	27.0	62	35	14	700	500	0.28
18864.W0020	A4 s/s	M20	40	72	30.0	71	40	16	1200	860	0.45
18864.W0024	A4 s/s	M24	50	90	36.0	90	50	20	1800	1270	0.74
18864.W0030	A4 s/s	M30	65	108	45.0	109	60	24	3200	2300	1.66
18864.W0036	A4 s/s	M36	75	126	54.0	128	70	28	4600	3300	2.65
18864.W0042	A4 s/s	M42	85	144	63.0	147	80	32	6300	4500	4.03
18864.W0048	A4 s/s	M48	100	166	68.0	168	90	38	8600	6100	6.38



Important Note: DIN 580 lifting eye bolts are mainly intended for permanent mounting to components such as motors, switchgear cabinets and gears, and for transporting these items of equipment. Please take care to take particular note of the following advice.



- 1) To be used by authorised, qualified and instructed personnel. Lifting eye bolts must be marked permanently raised with manufacturer's mark, material ID (e.g. C15E, A2 or A4), load-bearing capacity and axial direction (WLL in kg, see also Table/ F in N), and with CE symbol.
- 2) Check the lifting points for proper bolt seat, corrosion, wear and tear, deformation, etc. at regular intervals and before every use.
- 3) Select the lifting point such that the introduced forces are absorbed by the base material without any deformation. Screw-in depth for steel with a tensile strength of $R_m > 340 \text{ N/mm}^2$, e.g. S235JR (1.0037); or GG25 (0.6025 - without cavities or shrinkage): $1.5 \times \text{thread size } d_1 (=L)$. For screw-in material with lower strength, use lifting points with greater screw-in length. Minimum screw-in depths recommended: $2 \times \text{thread size } d_1$ in aluminium alloys, $2.5 \times \text{thread size } d_1$ in light metal with low strength. For light materials, non-ferrous metals and grey cast iron, select the thread such that the load-bearing capacity of the thread corresponds with the requirements involving the base material. For through-holes, a nut ($0.8 \times d$) should be fully and firmly bolted from the opposite side. If the thread length of the screw is sufficient, the use of an additional washer is recommended.
- 4) Select the position of the fixing points to avoid swivel or load shifts.
 - a.) Arrange the lifting point for a single strand sling perpendicular above the load centre.
 - b.) Arrange the lifting points for a twin strand sling to ensure both sides are above the load centre. Caution: Avoid turning or rotating movements during transport!
 - c.) Position the eye bolt such that no shear tension acts on the eye bolt (illustration below, incorrect use). The introduced force must act in the direction of the eye bolt plane (illustration right, correct use).

