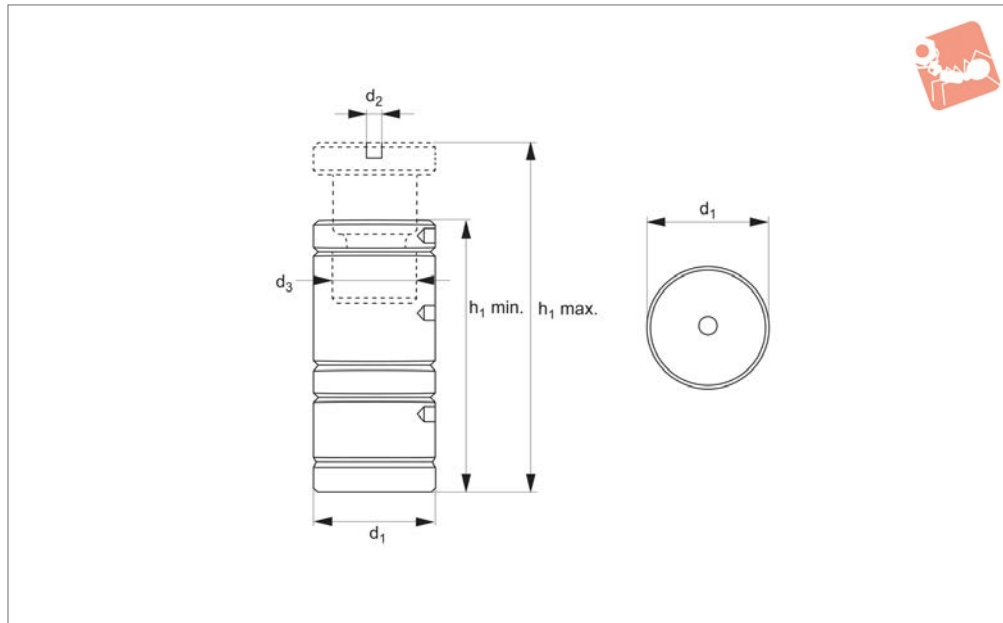




Screw Jack Set with Spacers

aluminium and steel

Screw Jacks



14130

SCREW JACKS

Material

Body: aluminium.
Spindle: steel, heat treated with trapezoidal self-locking thread.

Technical Notes

Thread protected against swarf ingress.
For individual parts and to make up greater heights please see no. 14140.

Set contents:

- 1 x main screwjack
- 1 x large spacer (25,0mm)
- 1 x small spacer (12,5mm)
- 1 x aluminium base
- 1 x magnetic base

Tips

Max. static load (kN.) applies up to

maximum height of 350mm. Do not use above these heights.
Main screw jack has a centering hole Ø12mm, for fitting of support and positioning pads nos. 15030 - 15080.

Important Notes

Do not adjust screw jack under load.

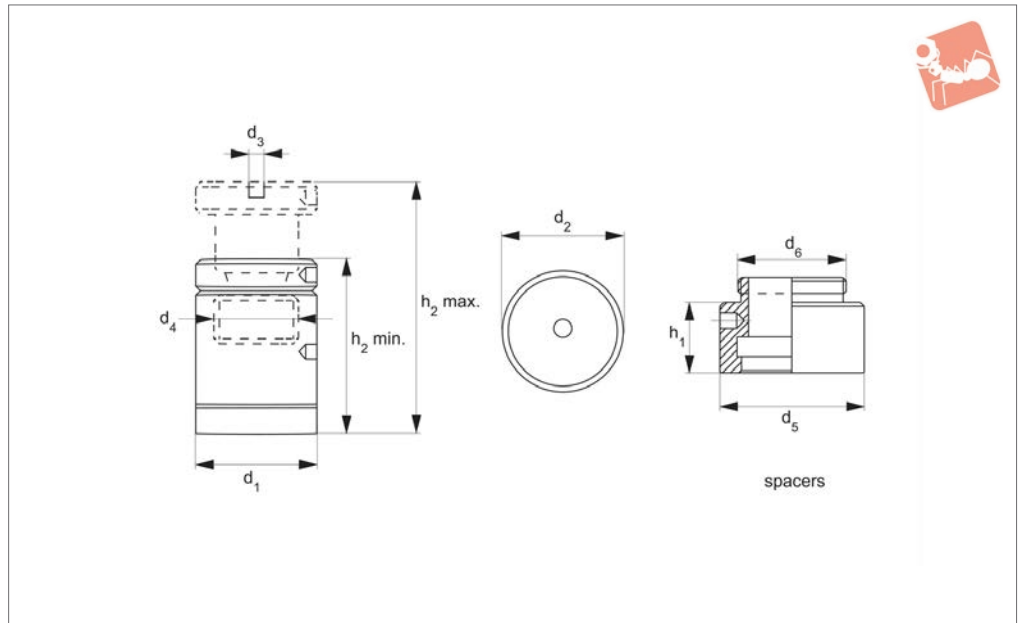
Order No.	h_1 min.	h_1 max.	d_1	d_2	d_3	Static load kN max.	Weight g
14130.W0001	75	125	50	12	30x4	30	920



SCREW JACKS



14140



Material

Body: aluminium.

Spindle: steel, tempered with trapezoidal self locking thread.

Tips

Individual parts can be combined to create

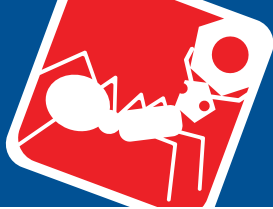
screw jacks of varying heights (maximum 350mm).

Max. static load (30kN.) applies for heights up to 350mm, above which there is danger of buckling.

Important Notes

Do not adjust screw jack under load.

Order No.	Type	h_1	h_2 min.	h_2 max.	d_1	d_2	d_3	d_4	d_5	d_6	Static load kN max.	Weight g
14140.W0010	Screw Jack with Aluminium Foot	-	75	88	50	50	12	30x4	-	-	30	630
14140.W0020	Screw Jack with Magnetic Foot	-	75	88	50	50	12	30x4	-	-	30	720
14140.W0125	Spacer Element	12.5	-	-	-	-	-	-	50	M38x2	30	38
14140.W0250	Spacer Element	25.0	-	-	-	-	-	-	50	M38x2	30	76
14140.W0500	Spacer Element	50.0	-	-	-	-	-	-	50	M38x2	30	165

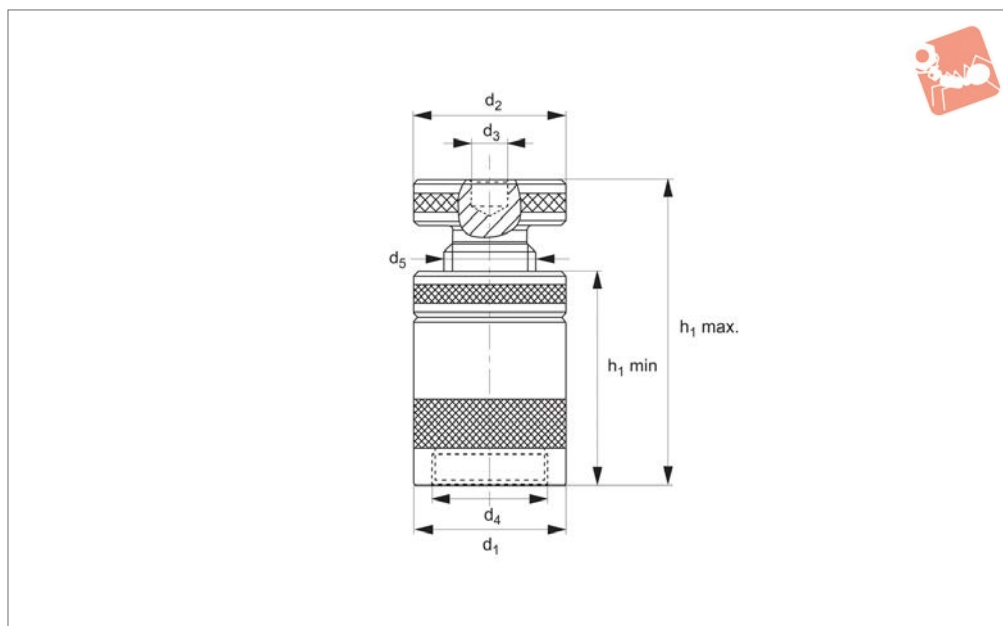


Screw Jacks

plain Ø12 centering hole



Screw Jacks



15000

SCREW JACKS

Material

Body: carbon steel, enamelled.
Spindle: steel, tempered.
Trapezoidal thread, self-locking with end stop.

Technical Notes

Light duty: for clamps with slot widths up to 14mm.

Medium duty: for clamps with slot widths approx. 14-22mm.

Heavy duty: for clamps with slot widths between 20-40mm.

Extra heavy duty: for supporting larger work-pieces.

Tips

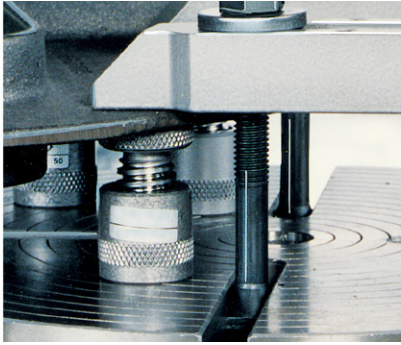
Centering hole Ø12mm in top of screw

jacks (no hole on part no. 15000.W0050).

When using in conjunction with forked clamps no. 10100, we recommend the use of locating pad no. 15060.

See technical pages for the table of locating pad and support pad elements suitability.

Order No.	Type	h_1 min.	h_2 max.	d_1	d_2	d_3	d_4	d_5	Static load kN max.	Weight g
15000.W0050	Light Duty	38	50	31	31	-	-	20x4	15	190
15000.W0052	Medium Duty	42	52	50	50	12	M38x2	30x4	60	550
15000.W0070	Medium Duty	50	70	50	50	12	M38x2	30x4	60	620
15000.W0100	Medium Duty	70	100	50	50	12	M38x2	30x4	60	900
15000.W0140	Heavy Duty	100	140	68	68	12	-	40x7	100	2760
15000.W0210	Heavy Duty	140	210	80	70	12	-	50x8	170	4600
15000.W0200	Extra Heavy	140	200	100	80	12	-	65x10	350	6900
15000.W0280	Extra Heavy	190	280	140	110	12	-	80x10	600	19000
15000.W0300	Extra Heavy	190	300	100	80	12	-	65x10	350	9000



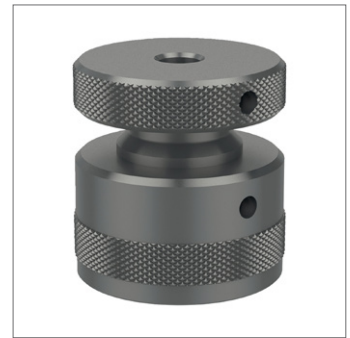
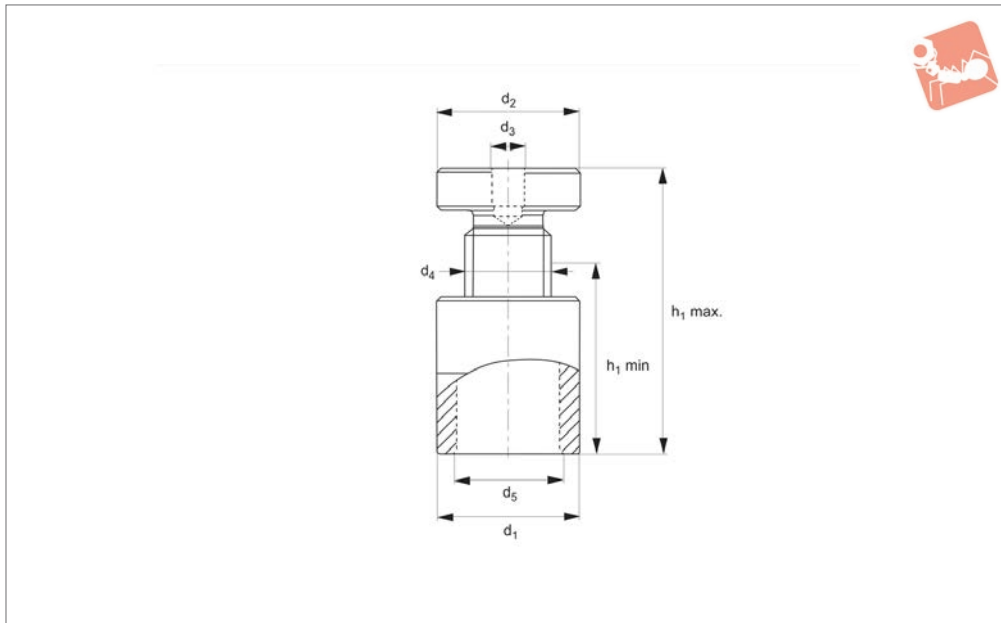


Screw Jacks

threaded M12 centering hole



Screw Jacks



15002

SCREW JACKS

Material

Body: carbon steel, enamelled.
Spindle: trapezoidal thread, self-locking with end stop.

Technical Notes

The threaded centering hole (M12) on the

top surface of the screw jack enables secure fixing of support accessories 15042 and 15062, whilst the M38x2 base thread allows expansion of the screw jack height.

Tips

For table of support and locating element

compatibility see technical pages.

Important Notes

Do not adjust screw jack when under load.

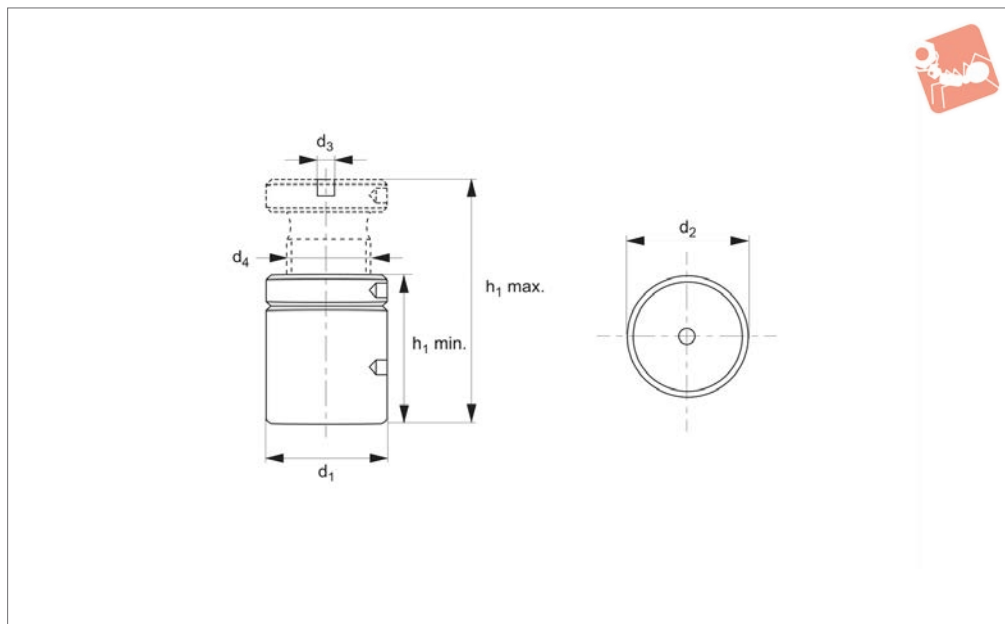
Order No.	Type	Size	h_1 min.	h_1 max.	d_1	d_2	d_3	d_4	d_5	Static load kN max.	Weight g
15002.W0052	Medium Duty	52	42	52	50	50	M12	30x4	M38x2	100	550
15002.W0070	Medium Duty	70	50	70	50	50	M12	30x4	M38x2	100	620
15002.W0100	Medium Duty	100	70	100	50	50	M12	30x4	M38x2	100	948



SCREW JACKS



15100



Material

Body & base: aluminium 400 N/mm² tensile strength.

Spindle: steel, tempered.

Trapezoidal thread, self-locking with end stop.

Technical Notes

See technical pages for the table of loca-

ting pad and support locating element suitability.

Greater heights can be achieved by combining screw jacks with the centering support pad no. 15060.

Tips

The swarf is absorbed into the aluminium base thereby protecting the machine table.

Particularly useful for delicate machine tables and high precision machines.

Important Notes

Do not adjust screw jacks under load.

Order No.	Size	h_1 min.	h_1 max.	d_1	d_2	d_3	d_4	Static load kN max.	Weight g
15100.W0052	52	42	52	50	50	12	30x4	30	370
15100.W0070	70	50	70	50	50	12	30x4	30	430
15100.W0100	100	70	100	50	50	12	30x4	30	600

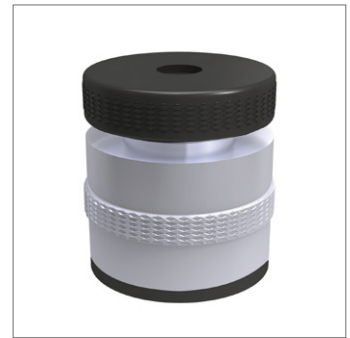
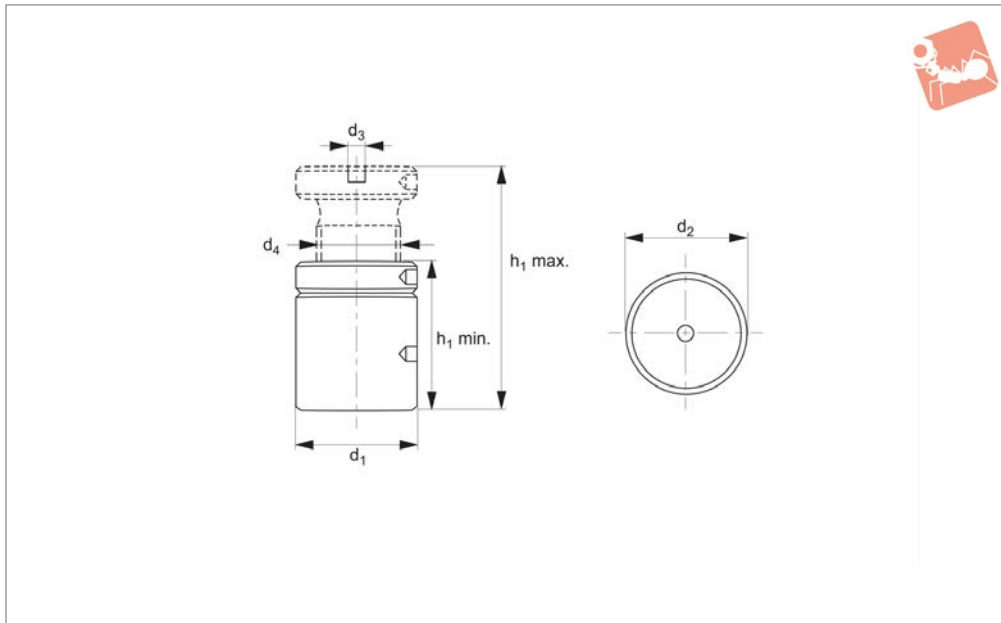


Screw Jacks

aluminium - magnetic base



Screw Jacks



15120

SCREW JACKS

Material

Body: aluminium 400N/mm² tensile strength.
 Base: magnetic.
 Spindle: steel, tempered.
 Trapezoidal thread, self locking with end stop.

Technical Notes

See technical pages for the table of locating pad and support locating element suitability.

Tips

Allows for positioning of screw jacks on

both horizontal and vertical surfaces. Greater heights can be achieved by combining the screw jacks with the centering pad no. 15060<X\15060#22>. Magnetic base ensures precise positioning of workpiece on vertical faces.

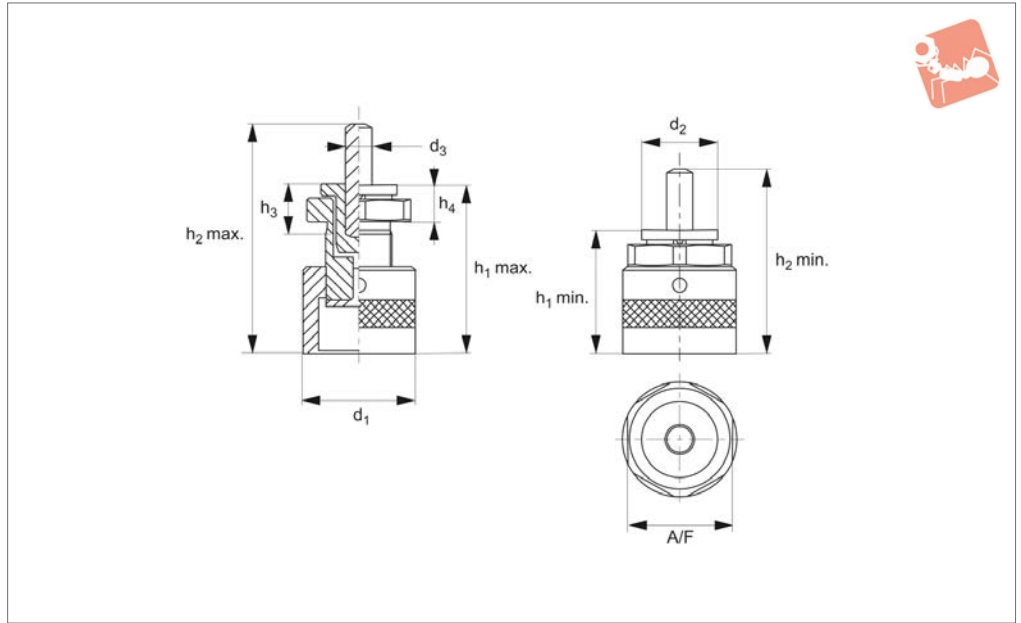
Order No.	Size	$h_1 \text{ min.}$	$h_1 \text{ max.}$	d_1	d_2	d_3	d_4	Static load kN max.	Weight g
15120.W0006	62	52	62	50	50	12	30x4	30	380
15120.W0008	80	60	80	50	50	12	30x4	30	550
15120.W0011	110	80	110	50	50	12	30x4	30	710



SCREW JACKS



15200



Material

Body: steel, tempered.
Spindle: M30x1,5 fine thread with end stop.

Technical Notes

Comes with 2 locating pins (Ø12x50 and

Ø12x80). Centering hole Ø12 mm. The M30x1,5 fine thread makes precise adjustment possible whilst preventing the workpiece from turning.

See technical pages for the table of locating pad and support locating element

suitability.

Tips

A bearing insert prevents the workpiece turning whilst the jack is adjusted.

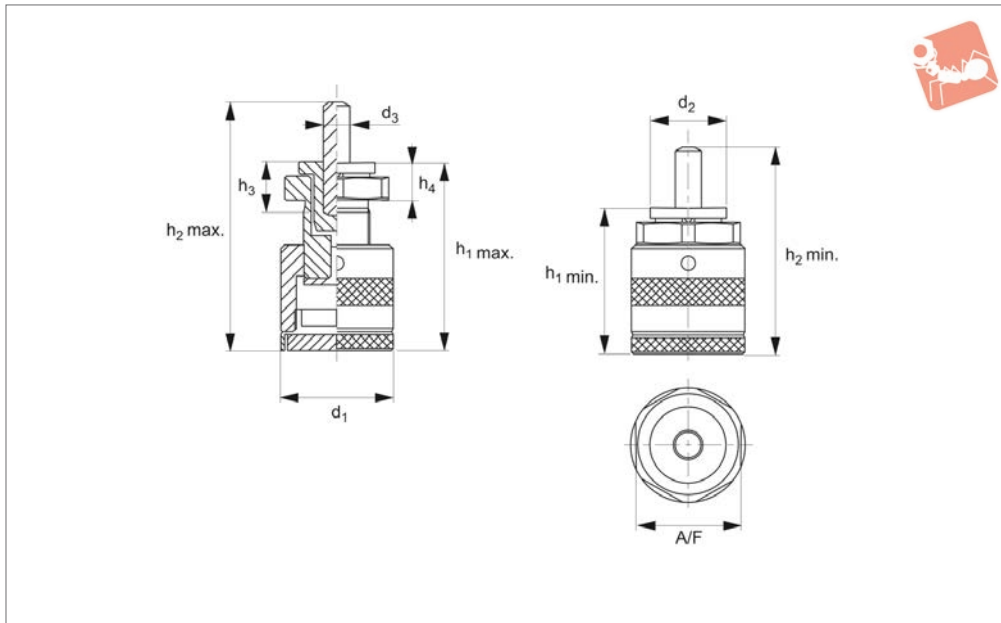
Order No.	h_1 min.	h_1 max.	h_3	h_4	d_1	d_2	d_3	A/F	Static load kN max.	With locating pins 12x80 h_2 min. - h_2 max.	With locating pins 12x50 h_2 min. - h_2 max.	Weight g
15200.W0007	55	75	22	16,5	50	34	12	46	30	113-133	82-102	680
15200.W0011	75	115	22	16,5	50	34	12	46	30	132-172	102-142	550



Height Setting Screw Jacks

magnetic base and locating pins

Screw Jacks



15220

SCREW JACKS

Material

Body: steel, tempered.

Base: magnetic.

Spindle: M30x1,5 fine thread with end stop.

Technical Notes

With 2 locating pins (Ø12x50 and Ø12x80).

Centering hole Ø12mm. The M30x1.5 fine thread makes precise adjustment possible whilst also preventing the workpiece from turning.

See technical pages for the table of locating pad and support locating element compatibility.

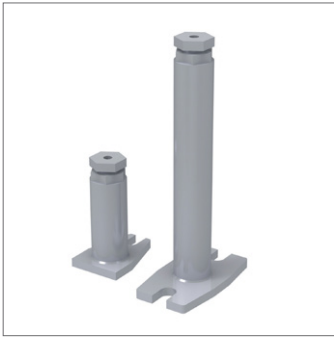
Tips

A bearing insert prevents the workpiece from turning whilst the jack is adjusted. These screw jacks can be placed on other screw jacks (using a centering pad) to build up heights of up to 1370mm.

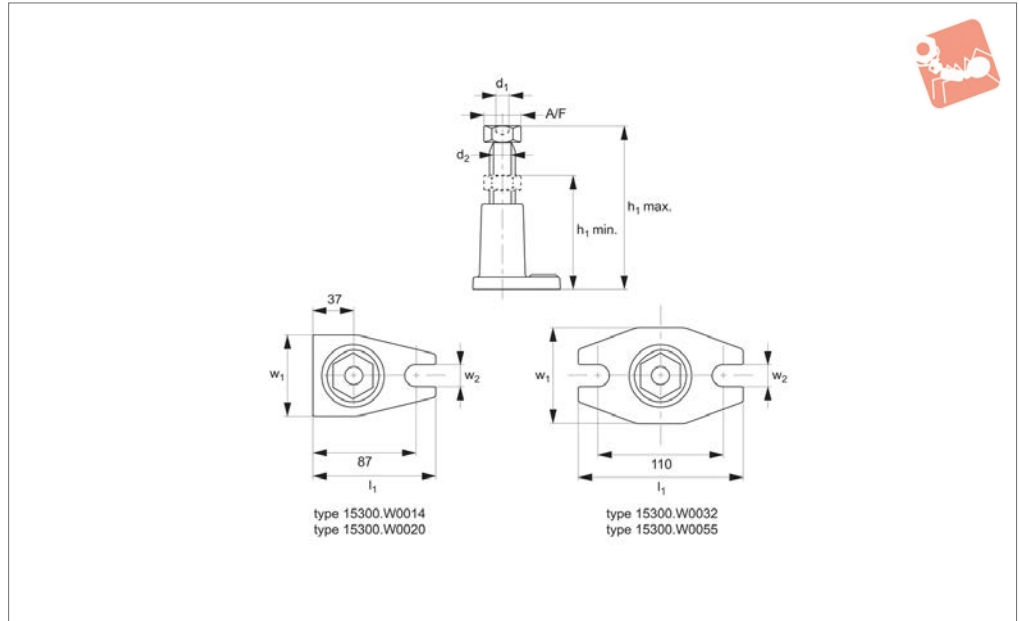
Order No.	h_1 min.	h_1 max.	h_3	h_4	d_1	d_2	d_3	A/F	Static load kN max.	With locating pins 12x80 h_2 min. - h_2 max.	With locating pins 12x50 h_2 min. - h_2 max.	Weight g
15220.W0007	65	85	22	16,5	50	34	12	46	30	122 - 142	92 - 112	800
15220.W0011	85	125	22	16,5	50	34	12	46	30	142 - 182	112 - 152	1000



SCREW JACKS



15300



Material

Housing: cast iron, enamelled.
Spindle: carbon steel, trapezoidal thread 30x6.

Technical Notes

Centering hole $\varnothing 12\text{mm}$.

See technical pages for the table of locating pad and support locating element suitability.

Tips

When using in conjunction with forked clamps, we recommend the use of locating

pads no. 15040 when the slot width of the clamps is $>26\text{mm}$.

Important Notes

Do not adjust screw jacks under load.

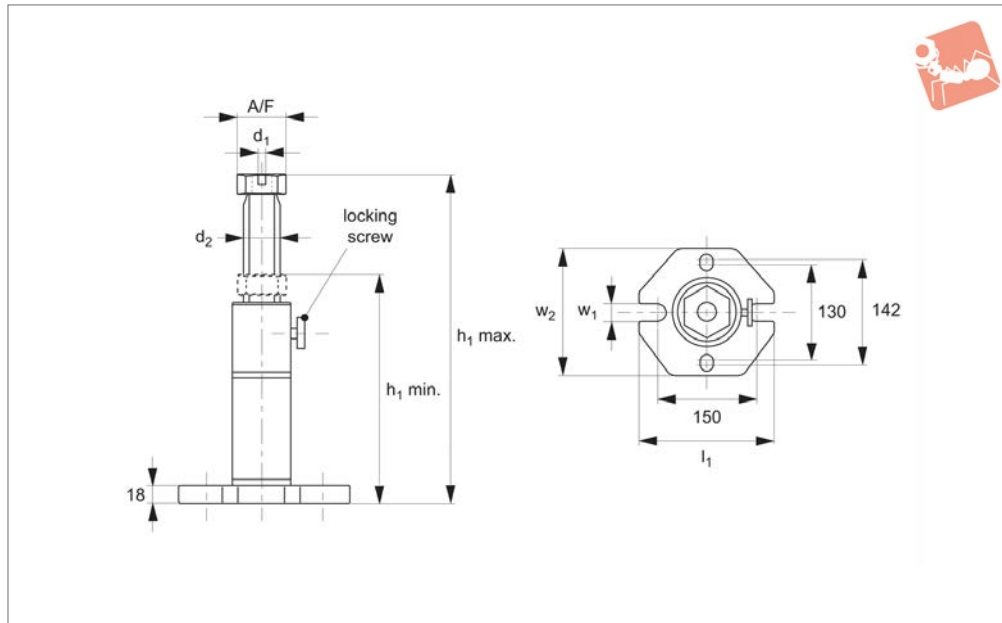
Order No.	h_1 min.	h_1 max.	d_1	d_2	w_1	w_2	l_1	A/F	Static load kN max.	Weight g
15300.W0014	100	140	12	30x6	75	18	110	46	60	1800
15300.W0020	140	200	12	30x6	75	18	110	46	60	2200
15300.W0032	200	320	12	30x6	90	22	160	46	40	3800
15300.W0055	320	550	12	30x6	90	22	160	46	25	4900





Heavy Duty Screw Jacks with brass locking screw

Screw Jacks



15320

SCREW JACKS

Material

Housing: cast steel, enamelled.
Spindle: carbon steel, trapezoidal thread 40x7.

See technical pages for the table of locating pad and support locating element suitability.

Technical Notes

With $\varnothing 12$ mm centering hole.

Important Notes

Do not adjust screw jacks under load.

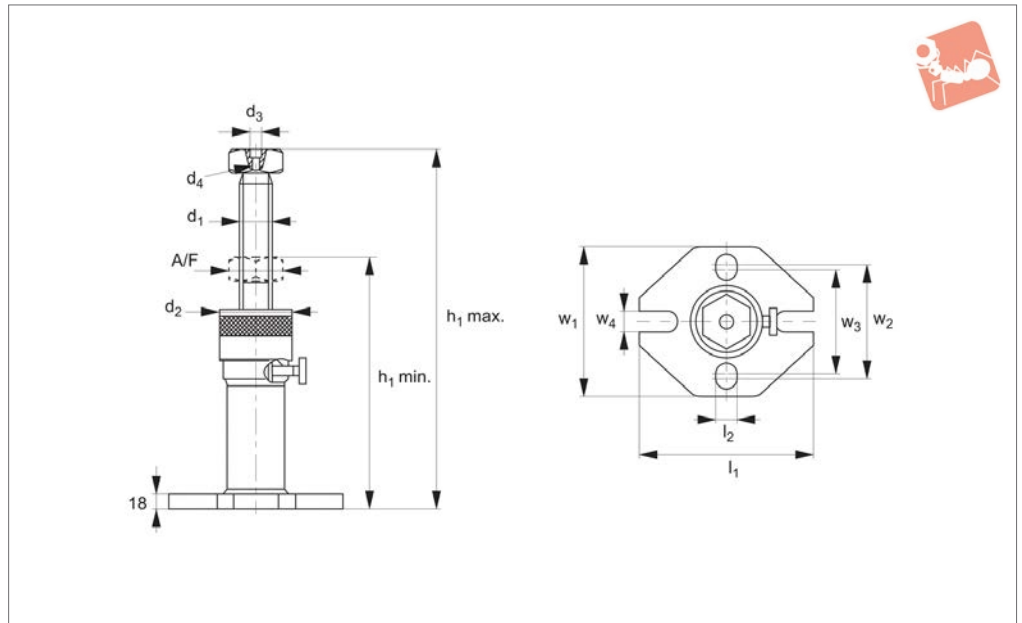
Order No.	h_1 min.	h_1 max.	d_1	d_2	w_1	w_2	l_1	A/F	Static load kN max.	Weight g
15320.W0030	200	300	12	40x7	26	190	220	65	80	8000
15320.W0046	290	470	12	40x7	26	190	220	65	60	10000
15320.W0075	430	750	12	40x7	26	190	220	65	50	13000
15320.W0125	710	1250	12	40x7	26	190	220	65	40	18000



SCREW JACKS



15360



Material

Housing: steel, tempered, enamelled.
Spindle: steel, tempered, trapezoidal thread.

Technical Notes

This screw jack is designed for quick, stepless adjustment throughout its height

range.

Centering hole $\varnothing 12\text{mm}$.
See technical pages for the table of locating pad and support locating element suitability.

Tips

To adjust height, grip spindle, loosen

locking screw, twist setting ring and set required height.

Important Notes

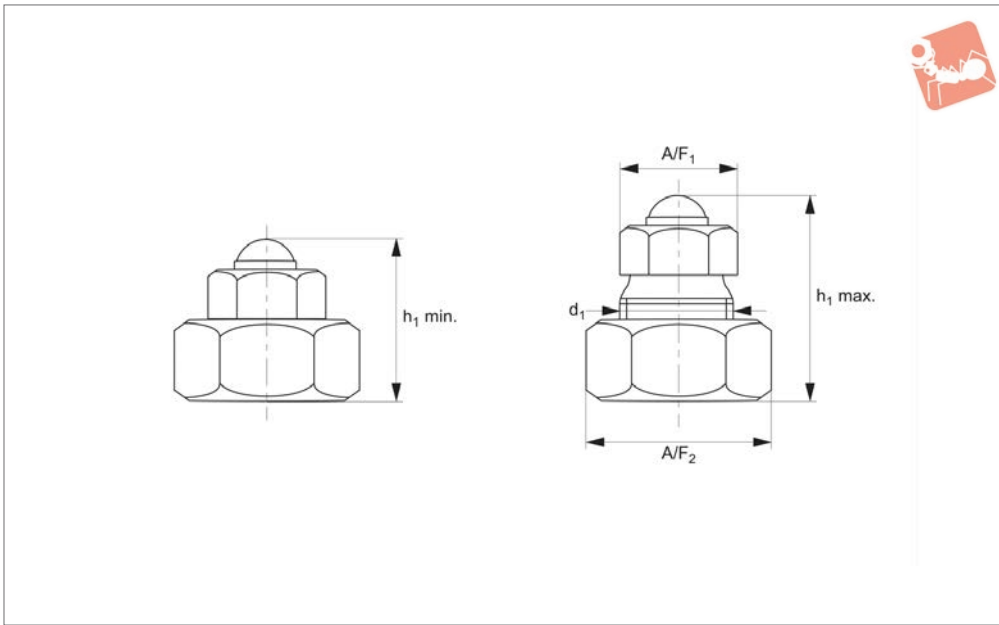
Do not adjust screw jacks under load.

Order No.	h_1 min.	h_1 max.	d_1	d_2	d_3	d_4	w_1	w_2	l_1	A/F	Static load kN max.	Weight kg
15360.W0045	320	450	40x7	90	12	M10	26	190	220	65	50	11.5
15360.W0071	450	710	40x7	90	12	M10	26	190	220	65	40	13.7
15360.W0125	710	1250	40x7	90	12	M10	26	190	220	65	30	18.3



Height Setting Screw Jack with pivoting ball

Screw Jacks



15520

SCREW JACKS

Material

Body: steel, tempered, burnished.
Ball: steel, hardened.

screw jack is designed to support and align cast iron or forged components. Alignment can be made to 0,1mm.

reduces the required operating forces. The use of a point-type support reduces the transmission of turning forces generated by the machine spindle.

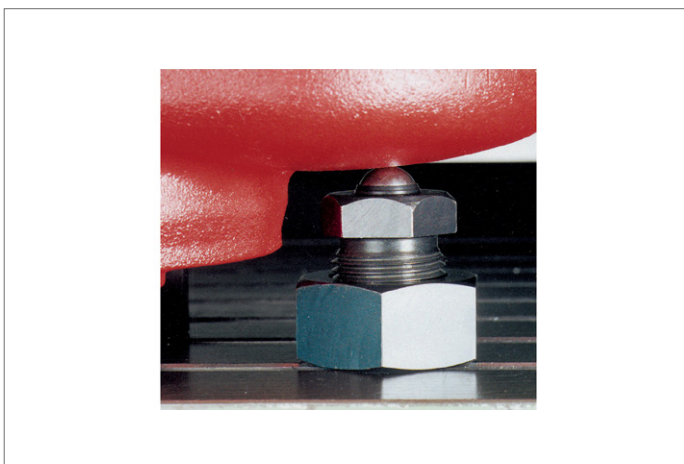
Technical Notes

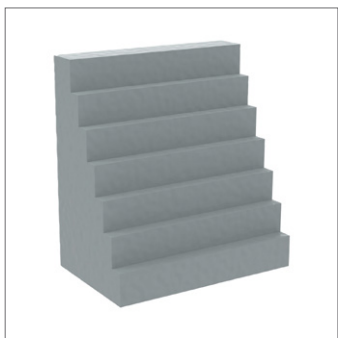
Used as a point support, this heavy-duty

Tips

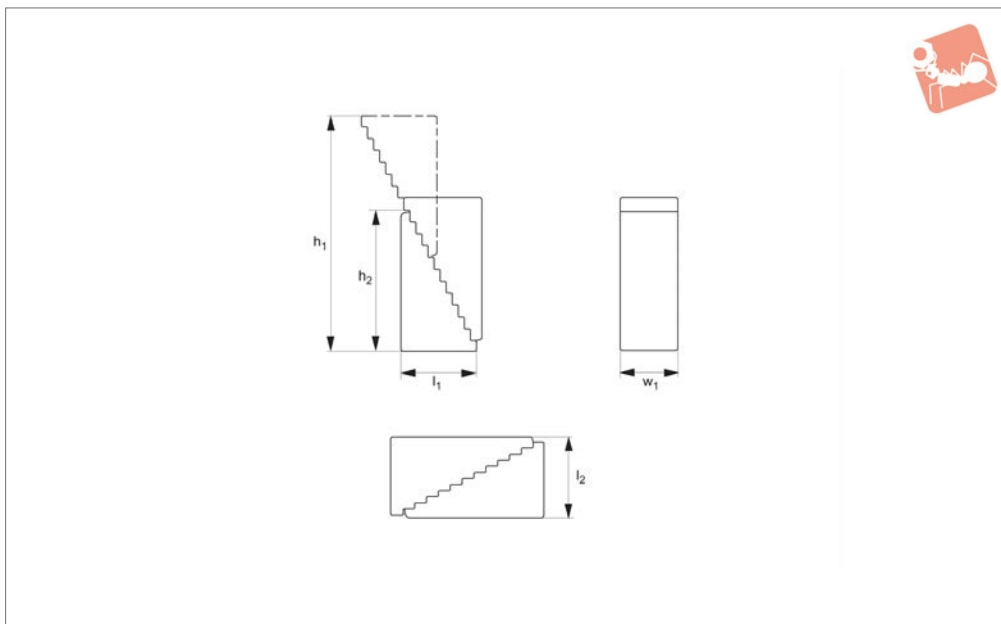
The pivoting ball minizises the friction and

Order No.	Size	h_1 min.	h_1 max.	d_1	A/F_1	A/F_2	Static load kN max.	Weight g
15520.W0070	70	56	70	39x3	41	60	30	950





14000



Material

Heat-treated steel, enamelled.

Technical Notes

When used as a pair, these blocks are

compatible with all our clamps. However, when used individually, they can be used with clamp no. 10020.

Step increments: vertical 4,65mm,

horizontal 2,30mm.

Tips

Sold individually. Dimensions h_1 and h_2 are when step blocks used as a pair.

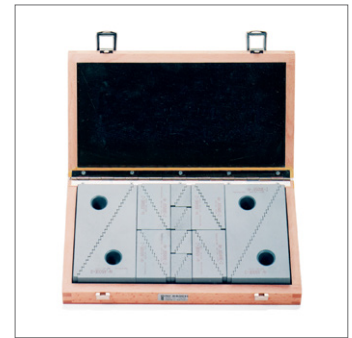
Order No.	Size	h_1 max.	h_2	w_1	l_1	l_2 min.	Weight g
14000.W0001	1	51	33	30	19.0	23	90
14000.W0002	2	107	66	30	35.5	39	300
14000.W0003	3	208	131	30	68.0	71	1050





Universal Step Block Set in wooden case

Screw Jacks



14020

SCREW JACKS

Material

Steel, tempered and enamelled.

Technical Notes

In a sturdy wooden case with lid. Please

refer to product no. 14000 for more information regarding the contents of the set.

Tips

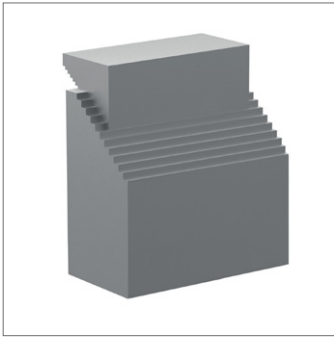
When used as a pair, these blocks are

compatible with all our clamps. However, when used individually, they can be used with clamp no. 10020.

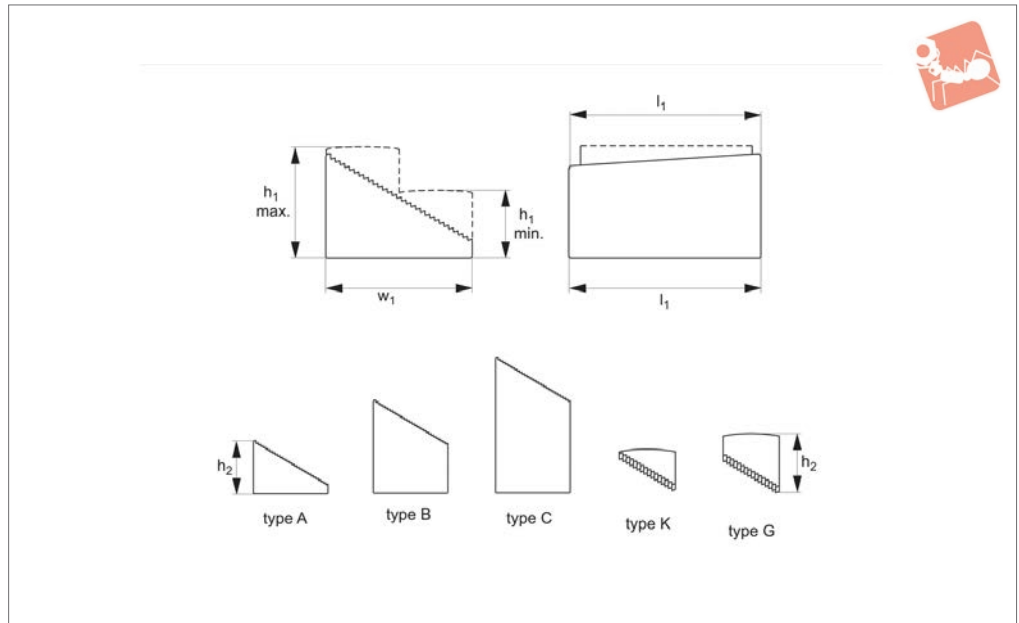
Order No.	Case size	Contents	h_1 min.	h_1 max.	Weight g
14020.W0100	280x155x40	8 pcs 14000.W0001 8 pcs 14000.W0002 4 pcs 14000.W0003	23	208	8400



SCREW JACKS



14040



Material

Steel, tempered and enamelled.

The tooth form is a metric profile to DIN 13 sheet 1 with a pitch of 2,5mm. It lies in the normal section of the setting level.

Technical Notes

DIN 6326.

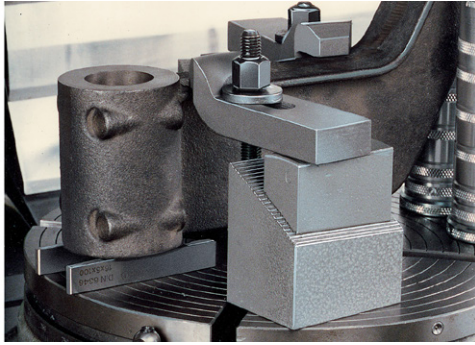
Order No.	Type	Clamping height h_1 min.	Clamping height h_1 max.	Description	h_2	w_1	l_1	Lower part	Upper part	Single parts	Weight g
14040.W0001	A			Lower part	42	60	80			A	850
14040.W0002	B			Lower part	82	60	80			B	2300
14040.W0003	C			Lower part	122	60	80			C	3800
14040.W0004	K			Upper part	24	30	70			K	200
14040.W0005	G			Upper part	44	30	70			G	500
14040.W0014	A+K	25	45	Combination				A	K		1050
14040.W0015	A+G	45	65	Combination				A	G		1350
14040.W0017	A+K+G	25	65	Combination				A	KG		1550
14040.W0023	B+K	65	85	Combination				B	K		2500
14040.W0025	B+G	85	105	Combination				B	G		2800
14040.W0026	B+K+G	65	105	Combination				B	KG		3000
14040.W0034	C+K	105	125	Combination				C	K		4000
14040.W0035	C+G	125	145	Combination				C	G		4300
14040.W0036	C+K+G	105	145	Combination				C	KG		4500



Adjustable Step Blocks with spiral gearing



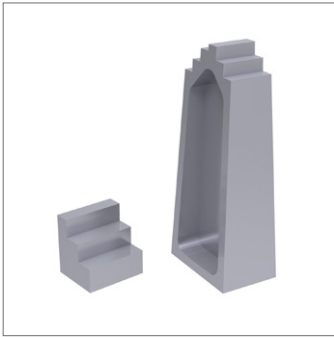
Screw Jacks



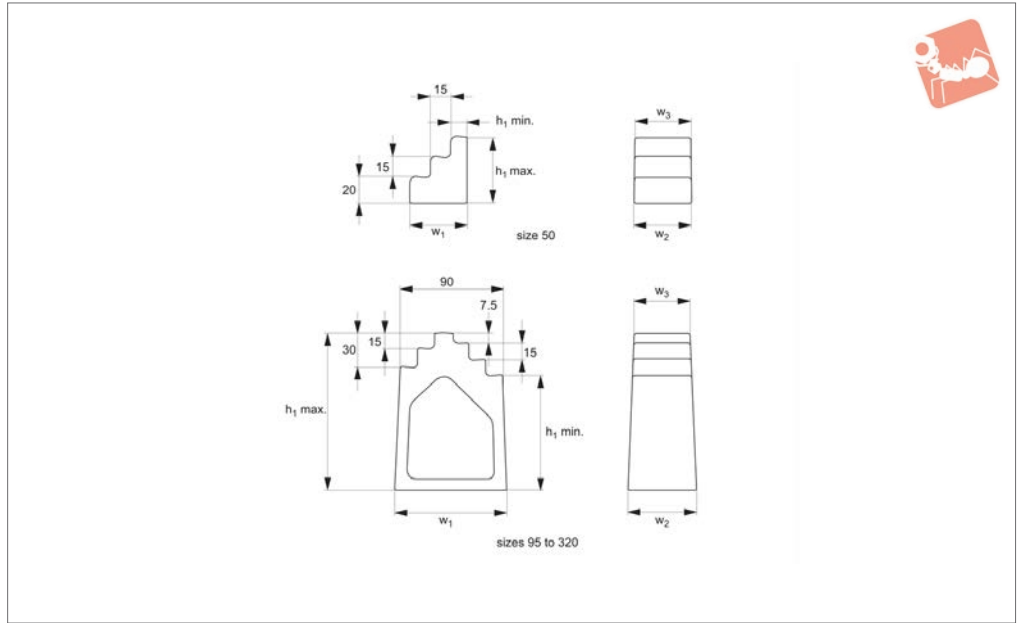
SCREW JACKS



SCREW JACKS



14100



Material

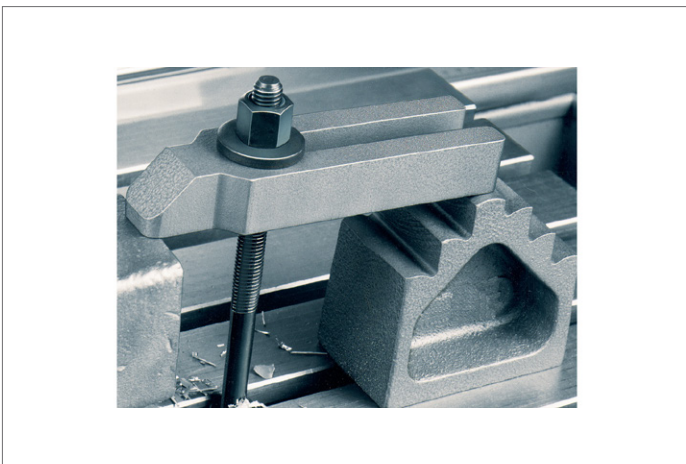
Cast iron, enamelled with support surface and steps milled.

Technical Notes

Produced to DIN 6318.
See item no. 14150<X\14150#22> for

extra wide step blocks. Step increments of 7,5mm each.

Order No.	Size	h_1 min.	h_1 max.	w_1	w_2	w_3	Weight g
14100.W0050	50	12.5	50	42.5	50	50	500
14100.W0095	95	57.5	95	95.0	55	50	1600
14100.W0140	140	102.5	140	100.0	60	50	2000
14100.W0185	185	147.5	185	105.0	65	50	2900
14100.W0230	230	192.5	230	110.0	70	50	3600
14100.W0275	275	237.5	275	115.0	75	50	4300
14100.W0320	320	282.5	320	120.0	80	50	5200

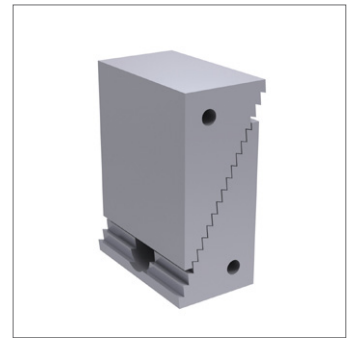
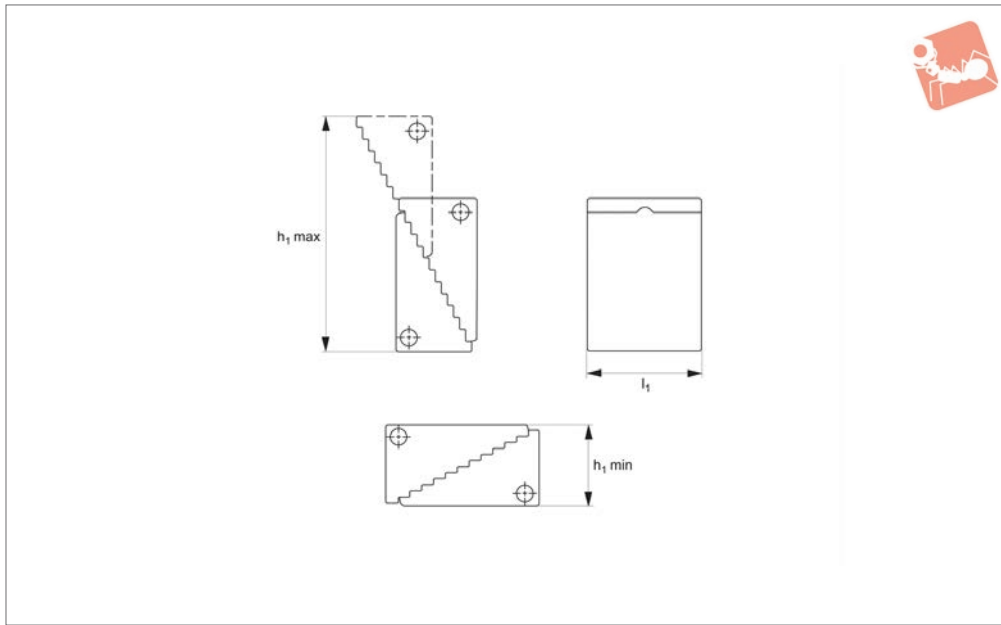




Step Blocks with coupling spring



Screw Jacks



14110

SCREW JACKS

Material

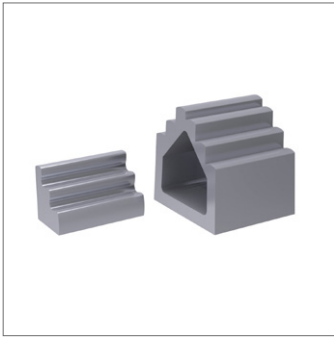
Carbon steel, enamelled.

Technical Notes

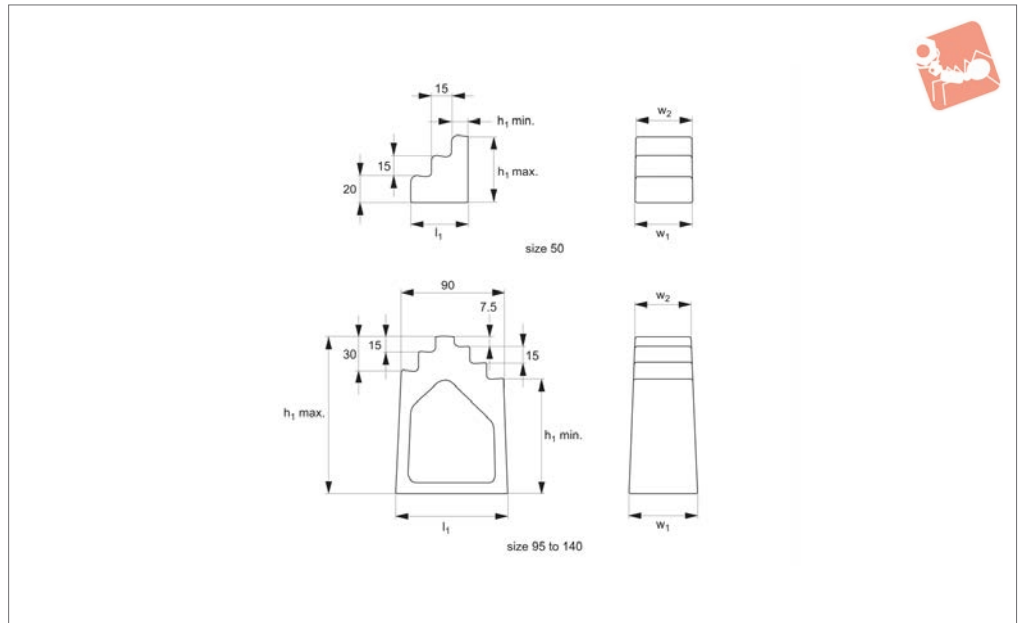
Similar to no. 14000.W0002 but joined

together with a spring for ease of handling. Used vertically or horizontally. Step increments vertical 4,65mm, horizontal 2,30mm.

Order No.	Size	h_1 min.	h_1 max.	l_1	Weight g
14110.W0001	2	37	107	60	1000



14150



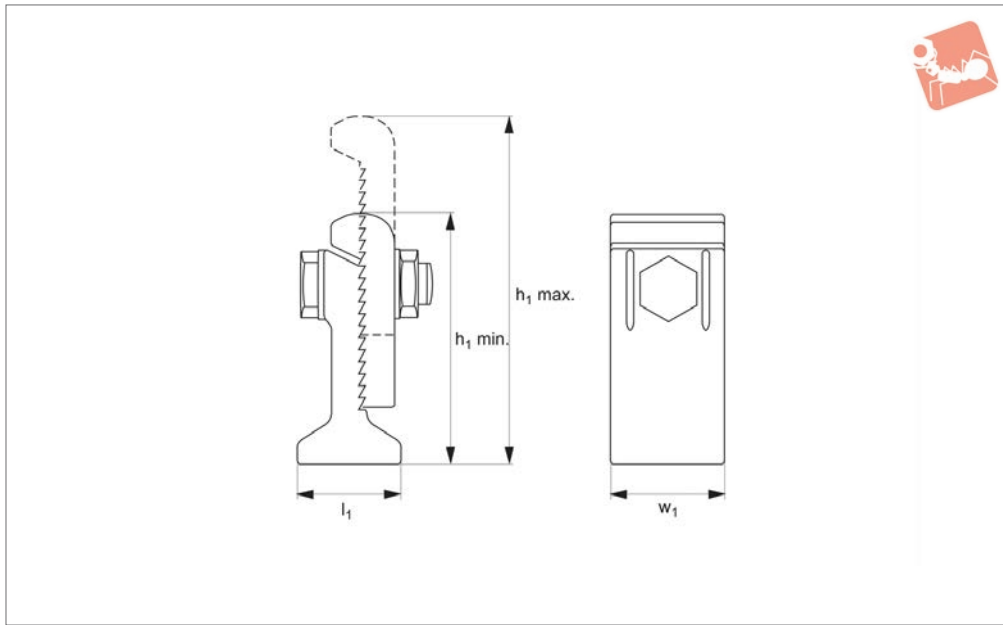
Material

Cast iron, enamelled.
Base and step faces milled.

Technical Notes

Step increments of 7,5mm each.

Order No.	Size	h_1 min.	h_1 max.	w_1	w_2	l_1	Weight g
14150.W0050	50	12.5	50	80	80	42.5	800
14150.W0095	95	57.5	95	85	80	95.0	2300
14150.W0140	140	102.5	140	90	80	100.0	3450



14200

SCREW JACKS

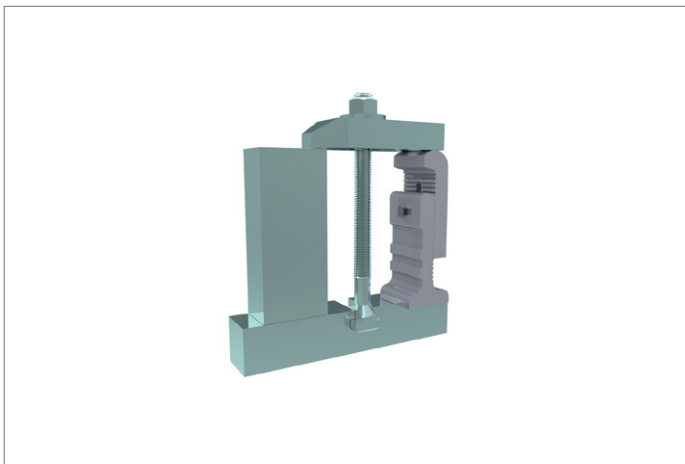
Material

Steel, malleable casting, enamelled.
Base and step faces milled.

Technical Notes

Step increments 5,2mm.

Order No.	Size	h_1 min.	h_1 max.	w_1	l_1	Static load kN max.	Weight g
14200.W0015	2	111	147	50	50	40	1225
14200.W0022	3	155	223	60	60	60	2607
14200.W0034	4	220	340	80	80	90	6028





With the modular screw jack your production becomes even more flexible and economical. When combined you can achieve a maximum height of 1620mm.

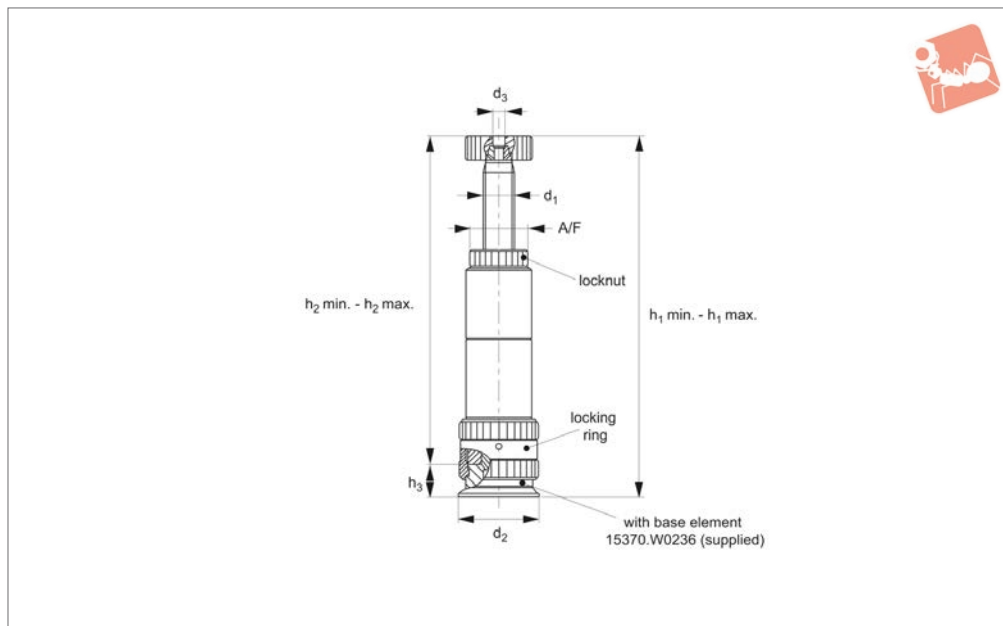
Benefits

- Maximum height of 1620mm.
- Quick set-up time.

The Elements

- 1 Bearing pads, 15374.W0075, 15374.W0175, 15374.W0275
- 2 Screw jack, 15370.W0040, 15372.W0023
- 3 Spacer, 15370.W0116, 15370.W0126, 15370.W0135
- 4 Base, 15370.W0236, 15370.W0356, 15370.W0456
- 5 Thread adapter, 15374.W0016, 15374.W0020, 15374.W0024





15370.1

SCREW JACKS

Material

Steel, tempered, burnished.

Technical Notes

Can be used on T-slots and grid plates by means of adapters which are screwed in the base element. The individual elements are

joined together and connected by means of a threaded ring. The insertion tool makes it possible to use the locknut and base element as well as a thread adapter.

Tips

Can be used with other elements to achieve

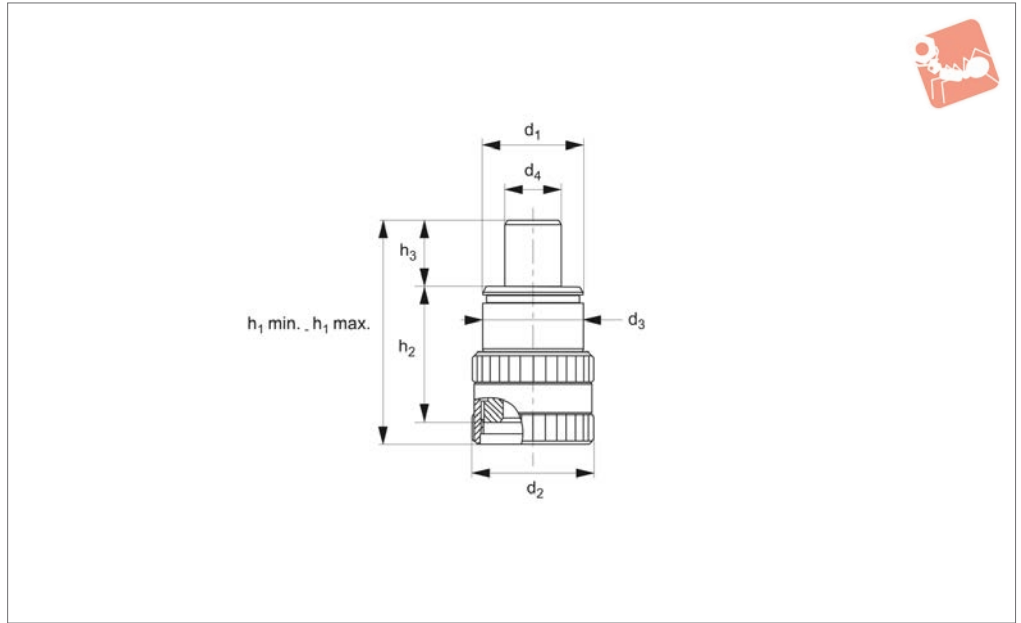
heights of up to 1.6 metres, with a max. load of 60 kN. Observe possible buckling loads.

Do not adjust screw jacks under load.

Order No.	h_1 min.	h_1 max.	h_2 min.	h_2 max.	h_3	d_1	d_2	d_3	A/F	F kN max.	Weight g
15370.W0040	306	406	270	370	36	40x7	90	12	65	60	9436



15370.2



Material

Steel, tempered, burnished.

can allow stopless height range of up to 1620mm.

load of 60 kN. Observe possible buckling loads.

Technical Notes

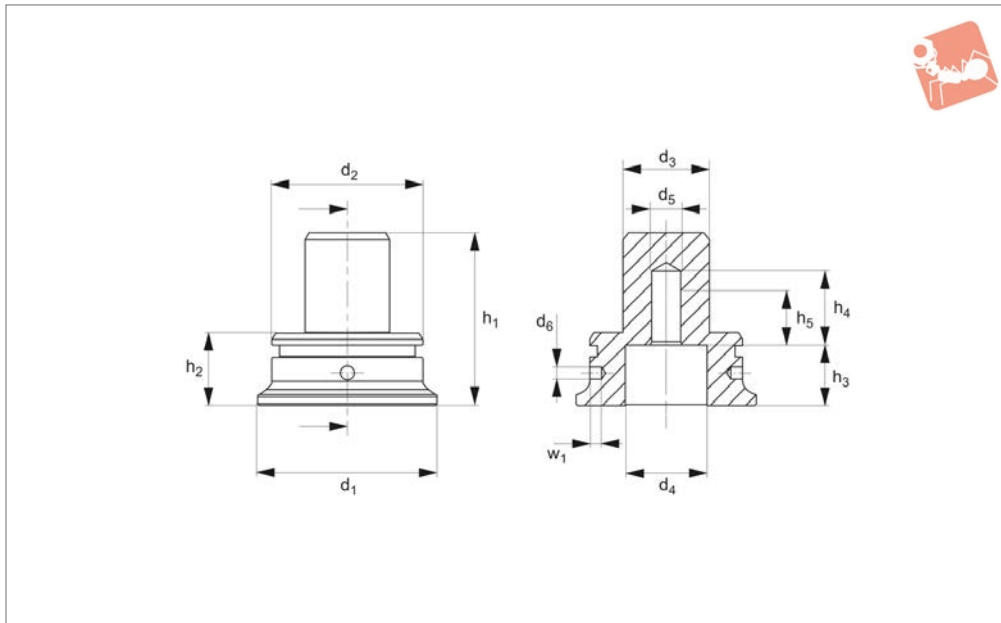
These spacer elements are used with modular screw jacks 15370. Using the item

Tips

Can be used with other elements to achieve heights of up to 1.6 metres, with a max.

Do not adjust screw jacks under load.

Order No.	h_1 min.	h_1 max.	h_2	h_3	d_1	d_2	d_3	d_4	Weight g
15370.W0116	150	166.5	100	50	M76x3	89	75	42.5	3132
15370.W0126	250	266.5	200	50	M76x3	89	75	42.5	6228
15370.W0135	350	366.5	300	50	M76x3	89	75	42.5	7493



15370.3

SCREW JACKS

Material

Steel, tempered, burnished.

Technical Notes

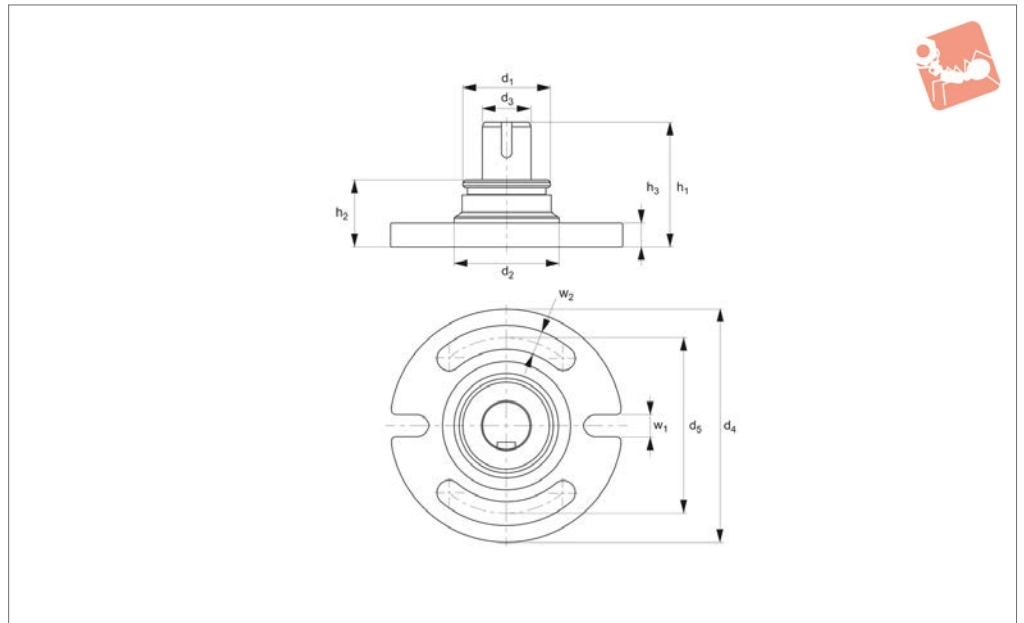
Can be used on T-slots and grid plates by

means of adapters which are screwed in the base element. The individual elements are easily joined together with threaded ring ensuring process reliability.

Order No.	h_1	h_2	h_3	h_4	h_5	w_1	d_1	d_2	d_3	d_4	d_5	d_6	Weight g
15370.W0236	86	36	30	37	27	6	90	M76x3	42.5	41	M16	6.2	1497



15370.4



SCREW JACKS

Material

Steel, tempered, burnished.

Technical Notes

Can be used on T-slots and grid plates. The

individual elements are easily joined together.

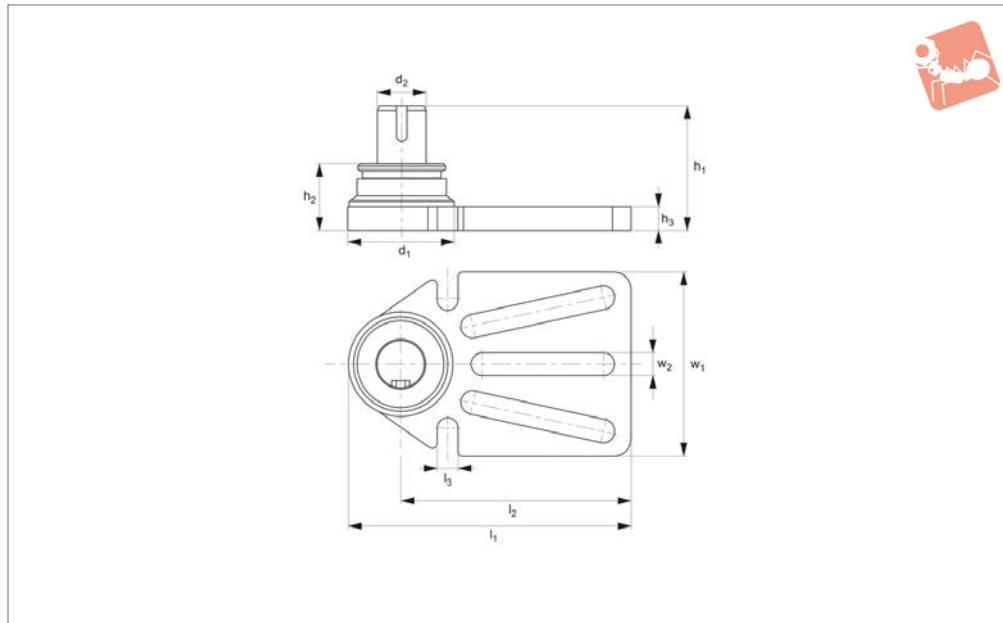
Enables easy positioning on a machine table.

Order No.	h_1	h_2	h_3	w_1	w_2	d_1	d_2	d_3	d_4	d_5	Weight g
15370.W0356	106	56	20	17	20	M76x3	90	42.5	200	150	5717



Modular Screw Jack Base adjustable

Screw Jacks



15370.5

SCREW JACKS

Material

Steel, tempered, burnished.

Enables easy positioning on a machine table.

Technical Notes

Can be used on T-slots and grid plates.

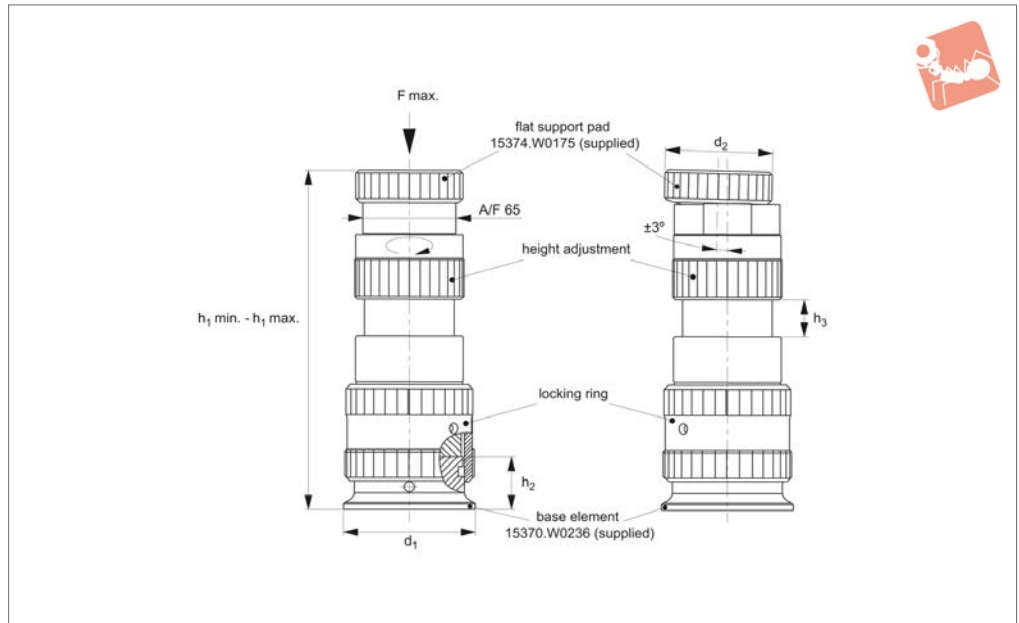
Order No.	h_1	h_2	h_3	w_1	w_2	d_1	d_2	l_1	l_2	l_3	Weight g
15370.W0456	106	56	20	158.5	20	90	42.5	240	195	17	5652



SCREW JACKS



15372



Material

Body and base: steel, tempered, burnished.

Spindle and bearing: steel, tempered, plasma-nitrided and burnished.

Technical Notes

Can be used on T-slots and grid plates by means of adapters which are screwed in the base element with a spacer element. This

support can be finely adjusted to a maximum height of 330mm under load. The bearings can be adjusted with an angle of $\pm 3^\circ$. Used as an extra support point to prevent sag and vibration of the workpiece. As it is mounted directly under a clamping point, distortion of the work-piece is prevented.

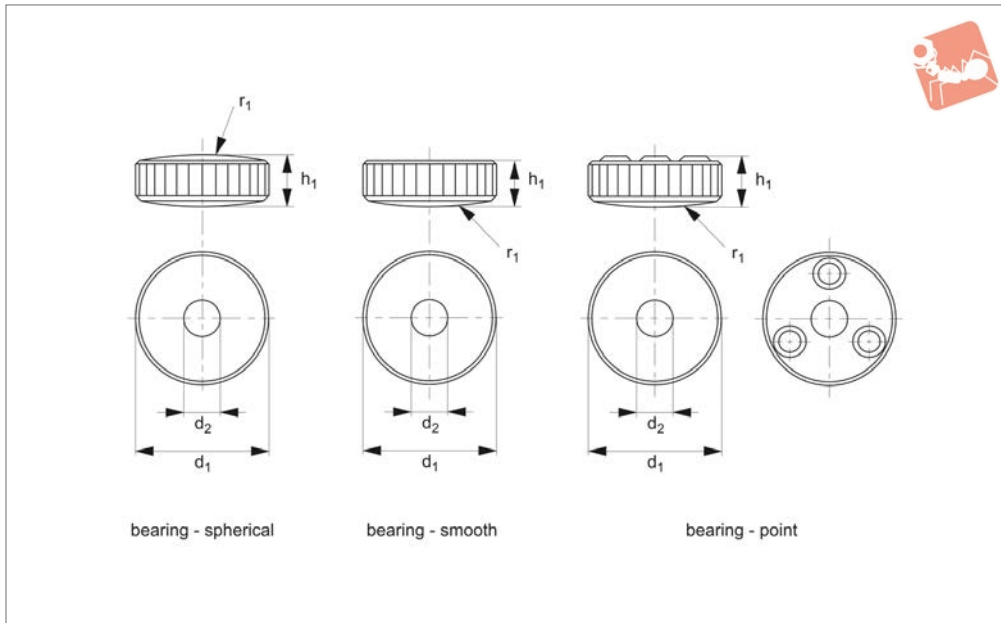
For use in horizontal and vertical clamping.

Tips

Maximum height 330mm when used with additional spacer 15370.W0116.

Three different bearings are held in place by magnets. Bearings are interchangeable.

Order No.	h_1 min.	h_1 max.	h_2	d_1	d_2	Stroke h_3	F kN max.	Weight g
15372.W0023	210	230	36	90	75	20	35	6671



15374.1

SCREW JACKS

Material

Steel, tempered, plasma-nitrided and burnished.

Technical Notes

Interchangeable top bearing for the fine

thread modular screw jack 15537.2.

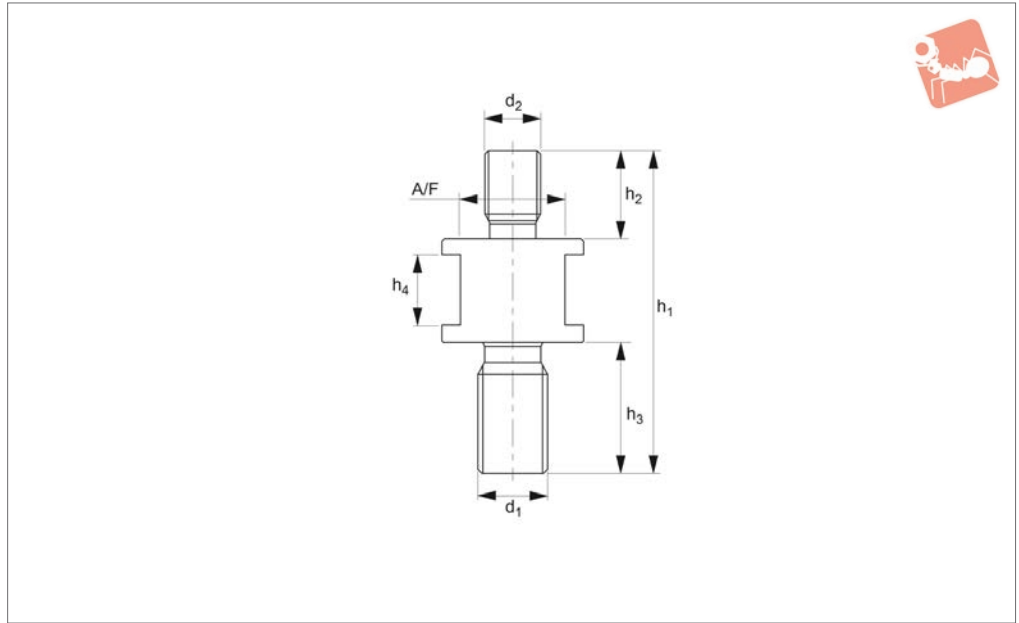
Compensation of large work-piece tolerances.

For use in horizontal and vertical clamping.

Order No.	Bearing type	h_1	d_1	d_2	r_1	Weight g
15374.W0075	Spherical	24.7	75	20.5	140	655
15374.W0175	Smooth	24.7	75	20.5	140	739
15374.W0275	Point	24.7	75	20.5	140	651



15374.2



Material

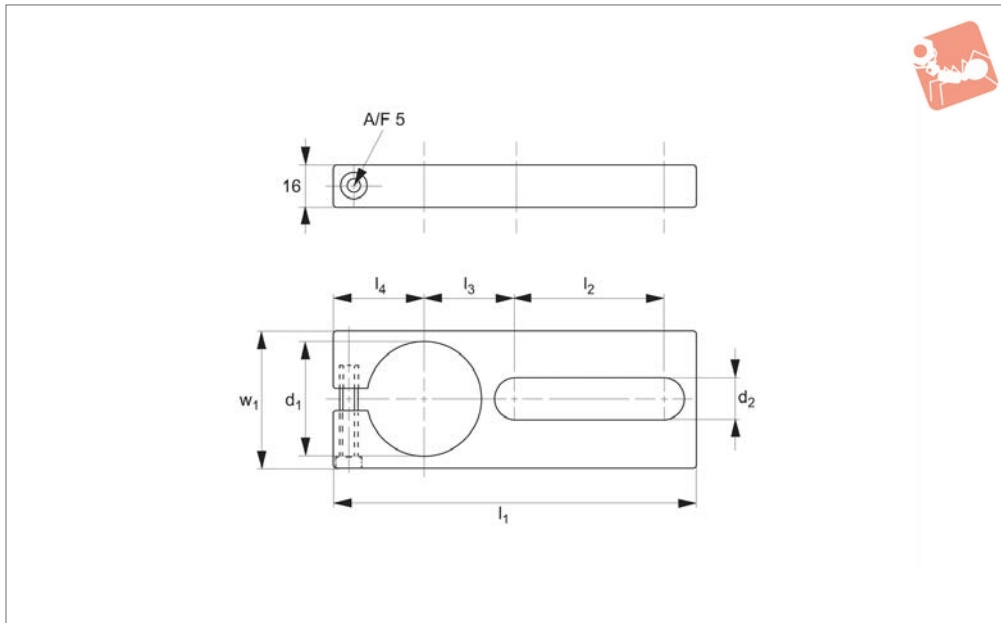
Steel, tempered and burnished.

base element allowing easy fixing to T-slots and grid plates.

Technical Notes

The thread adapters are screwed in the

Order No.	h_1	h_2	h_3	h_4	d_1	d_2	A/F	Weight g
15374.W0016	83.5	25	29	20	M16	M16	30	339
15374.W0020	91.5	25	37	20	M20	M16	30	381
15374.W0024	101.5	25	47	20	M24	M16	30	452



15010

SCREW JACKS

Material

Steel, blackened.

movement when a workpiece is changed, and for mounting screw jacks vertically.

tely.

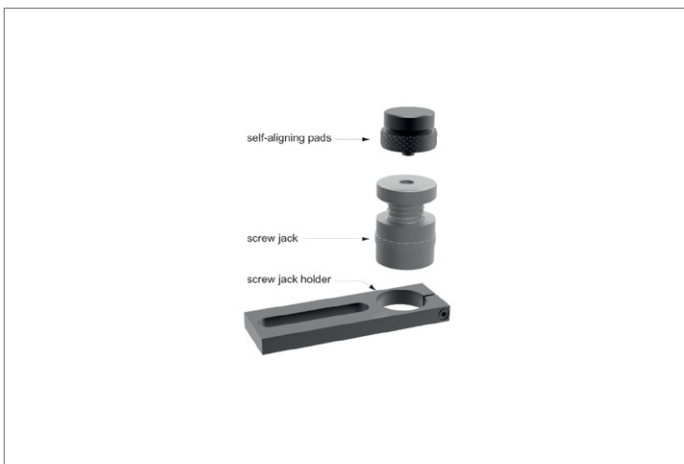
Technical Notes

Used to fix screw jacks in place to prevent

Tips

Please order screw jacks no. 15000 separa-

Order No.	For screw jacks no. 15000	d ₁	d ₂	l ₁	l ₂	l ₃	l ₄	w ₁	Weight g
15010.W0232	Size 50	31	18.5	175	90	35	30	40	518
15010.W0250	Size 52,70,100	50	20.5	190	90	46	38	60	891
15010.W0270	Size 140	69	24.5	210	90	54	48	80	1300





SCREW JACKS

15030
Spherical



15040
Pin Type



15050
Vee Type



15060
Centering Pin



15070
Cylindrical



15080
Self-Aligning



15090
Pivot Ball



15000
Screw Jack



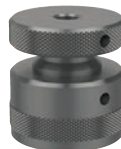
15042
Locating Pad



15062
Centering Pad



15002
Screw Jack



These screw and aligning jacks offer a broad range of applications. Due to their robust construction, the screw jacks function securely and precisely, with infinite adjustment even under heavy loads.

- Safe and reliable clamp supports for heights from 38 to 1250mm.
- Accurate and safe supporting and setting of any workpiece in various levels and heights.
- Aluminium screw jacks for delicate machine tables, surface plates and CMM tables.
- Magnetic screw jacks for horizontal and vertical supporting and setting.

Table of Suitability for Screw Jack Attachments

Attachments	Suited to screw jacks with centering pin - plain bore	Suitable screw jack
15030	Ø12	15200 14130
15040		15220 14140
15050		15000 15300
15060		15000 15320
15070		15100 15360
15080		15120 15500
15090		

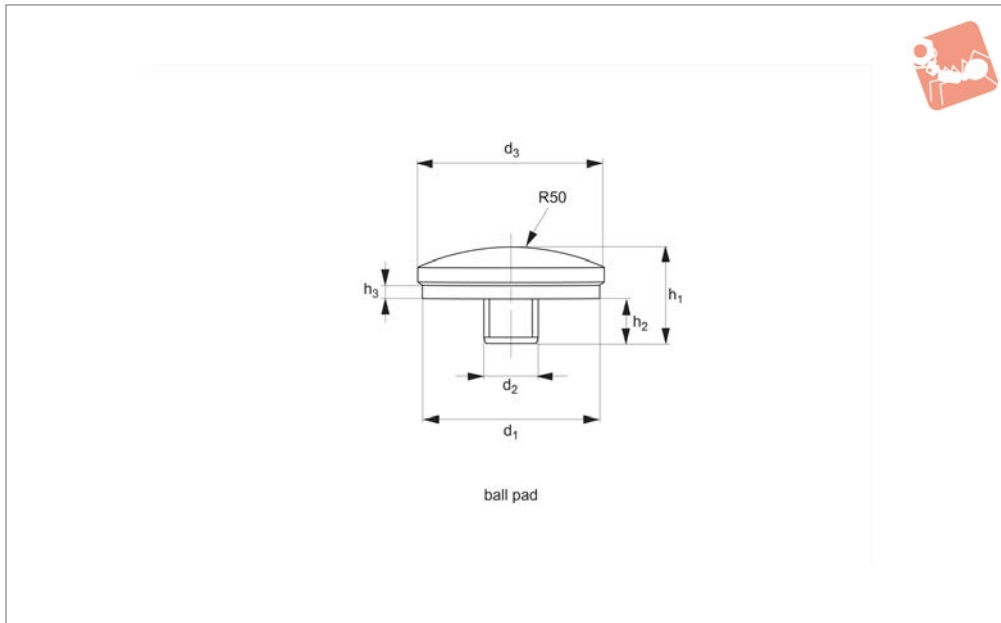
Attachments	Suited to screw jacks with either / or centering pin - threaded	Suitable screw jack
15042	M 12	15002.W0052 / W0070 / W0100
15062	M 10	15320 15360
15062	M 12	15002.W0052 / W0070 / W0100

Attachments	Base thread	Suitable screw jack
15042	M38 x 2	15000.W0052 / W0070 / W0100
15062		15000.W0052 / W0070 / W0100
		15100 14140



Locating Pad - Spherical for screw jacks

Screw Jacks



15030

SCREW JACKS

Material

Steel, hardened, blackened and burnished.

15300.

See technical pages for the table of screw jack suitability.

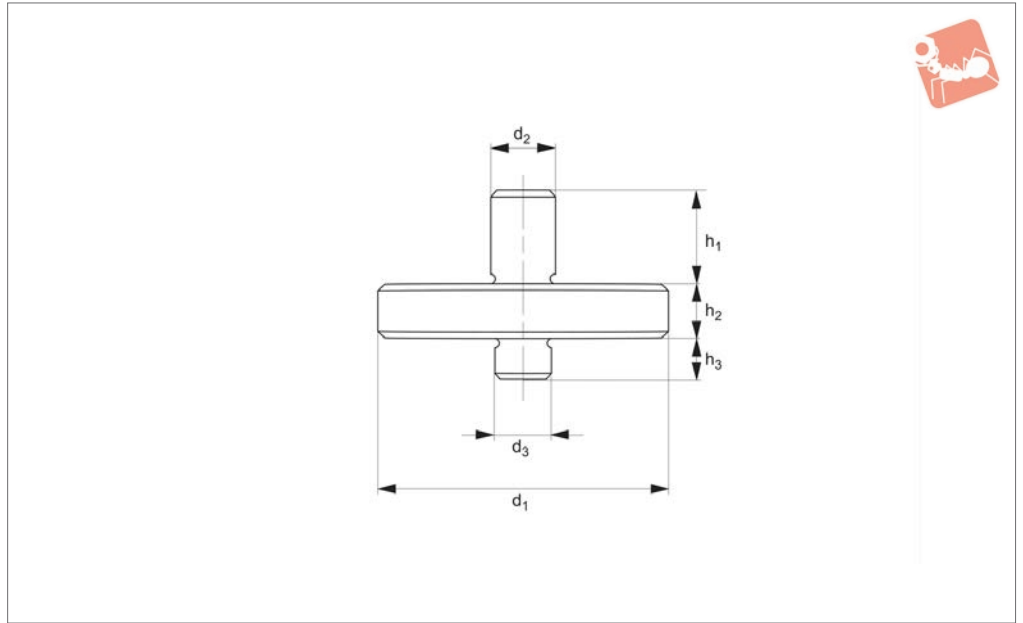
Tips

Can be used with screw jacks 15000 and

Order No.	d ₁	d ₂	d ₃	h ₁	h ₂	h ₃	Weight g
15030.W0037	35	12	37	18	8	3	90



15040



SCREW JACKS

Material

Steel, hardened and blackened.

15300.

See technical pages for the table of screw jack suitability.

Tips

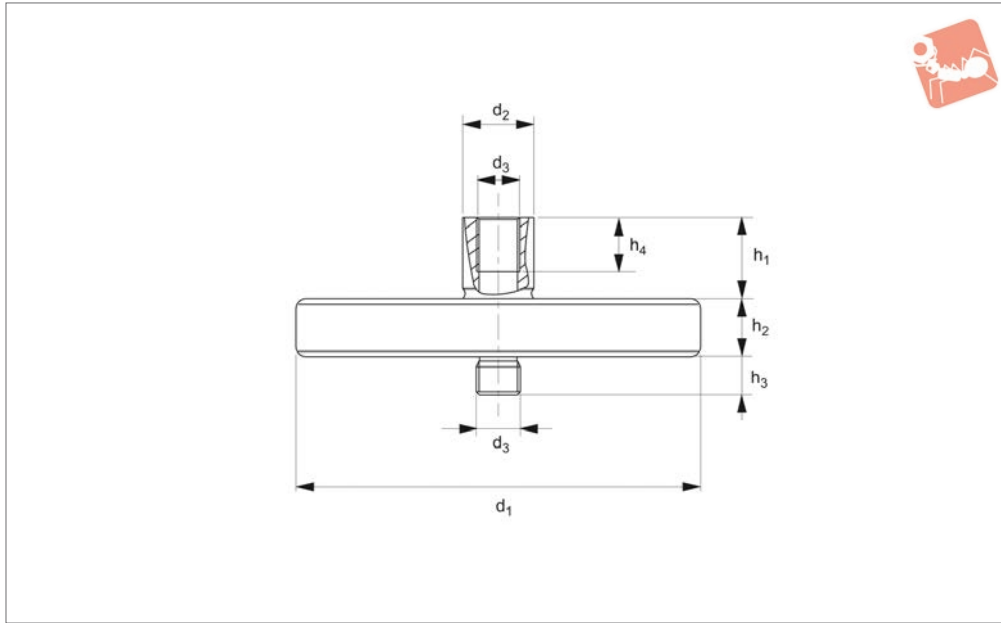
Can be used with screw jacks 15000 and

Order No.	d ₁	d ₂	d ₃	h ₁	h ₂	h ₃	Weight g
15040.W0163	63	14	12	15	12	8	310
15040.W0167	78	25	12	19	15	8	650



Locating Pad - Pin Type M12 for screw jacks

Screw Jacks



15042

SCREW JACKS

Material

Steel, hardened, enamelled and blackened.

Technical Notes

Has threaded centering pin (M12) for secu-

ring to compatible screw jacks with corresponding M12 threaded centering holes.

Tips

Do not adjust screw jack when under load. See technical pages for the table of screw

jack suitability.

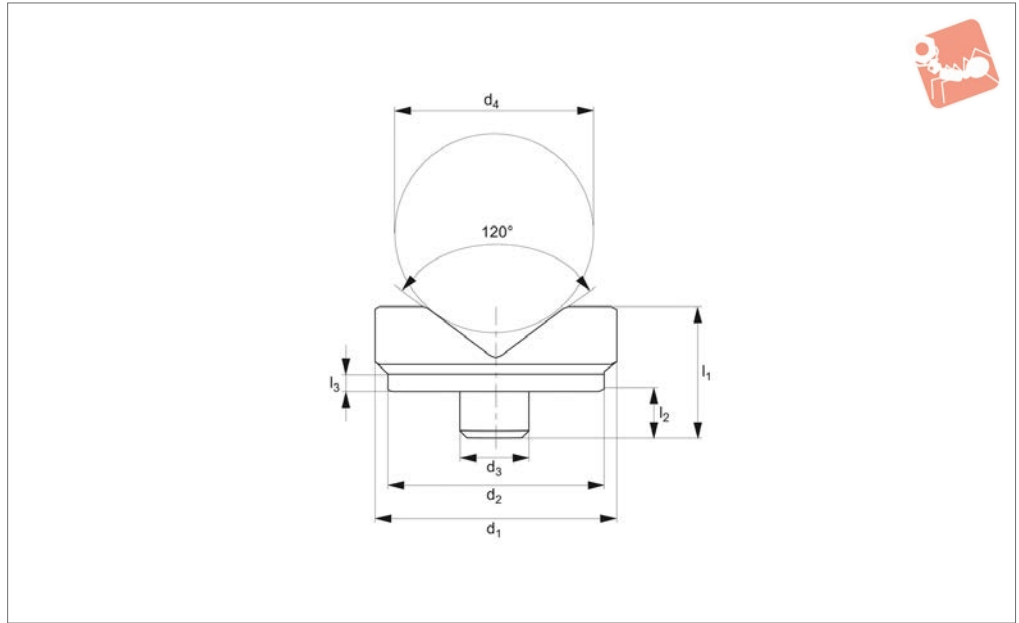
Order No.	d_1	d_2	d_3	h_1	h_2	h_3	h_4	Weight g
15042.W0012	72	22	M12	20	12	12	15	601



SCREW JACKS



15050



Material

Steel, hardened and blackened.

15300.

See technical pages for the table of screw jack suitability.

Tips

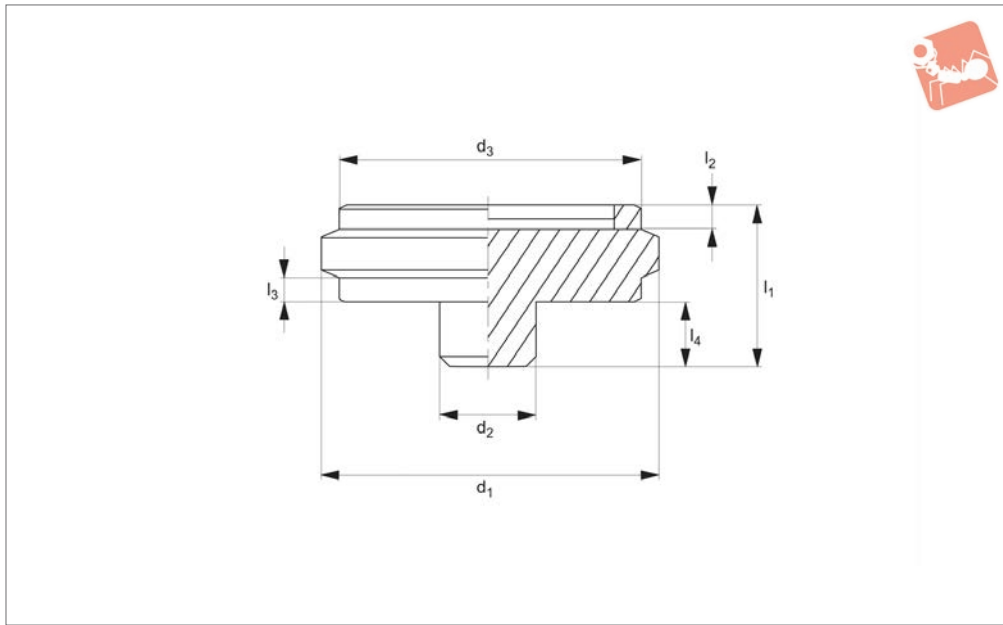
Can be used with screw jacks 15000 and

Order No.	d ₁	d ₂	d ₃	d ₄ min.	d ₄ max.	l ₁	l ₂	l ₃	Weight g
15050.W0045	45	42	12	10	50	23	8	3	120
15050.W0065	65	62	12	22	100	38	8	3	545



Centering Pad for screw jacks

Screw Jacks



15060

SCREW JACKS

Material

Steel, hardened and blackened.

15300.

See technical pages for the table of screw jack suitability.

Tips

Can be used with screw jacks 15000 and

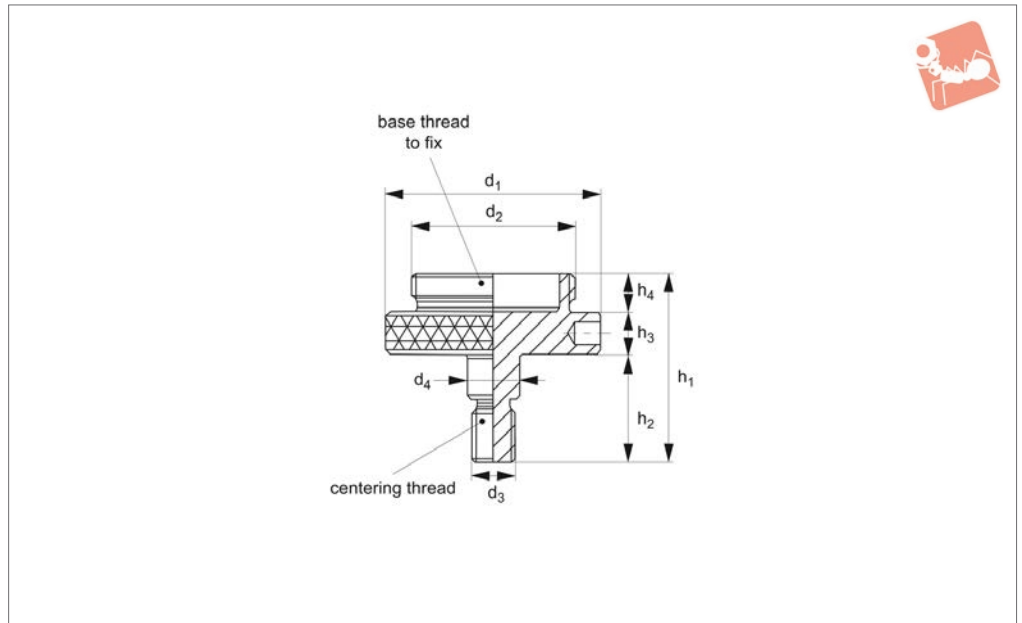
Order No.	d_1	d_2	d_3	l_1	l_2	l_3	l_4	Weight g
15060.W0145	45	12	35.8	19	3	8	8	120



SCREW JACKS



15062



Material

Steel, hardened and blackened.

Technical Notes

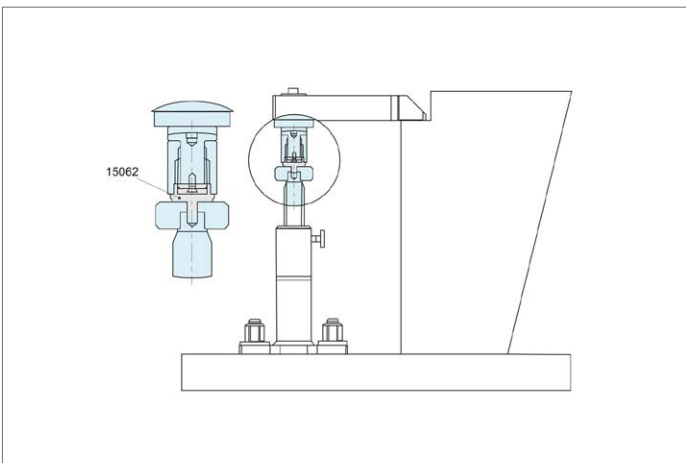
Has threaded centering pin (M12) for securing to compatible screw jacks with corre-

sponding M12 threaded centering holes. Also equipped with M38x2 male thread for fixing screw jacks with corresponding M38x2 thread in their base.

Tips

Do not adjust screw jacks when under load. See technical pages for the table of screw jack suitability.

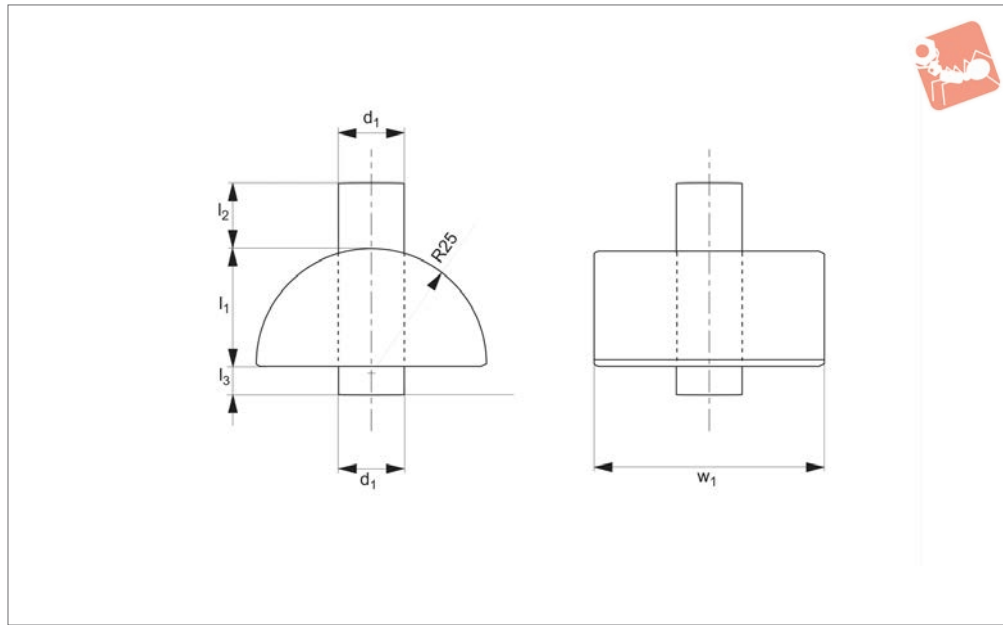
Order No.	d ₁	d ₂	d ₃	d ₄	h ₁	h ₂	h ₃	h ₄	Weight g
15062.W0010	50	M38x2	M10	11.9	33	25	10	9	200





Locating Pad - Domed for screw jacks

Screw Jacks



15070

SCREW JACKS

Material

Steel, hardened and blackened.

15300.

See technical pages for the table of screw jack suitability.

Tips

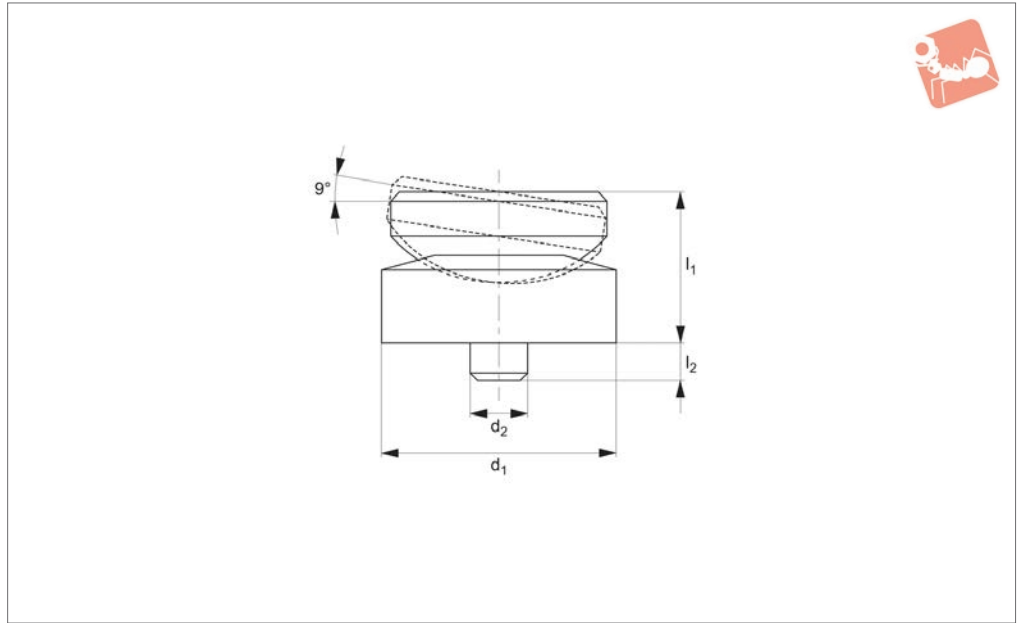
Can be used with screw jacks 15000 and

Order No.	d_1	l_1	l_2	l_3	w_1	Weight g
15070.W0050	12	23	19	8	50	370





15080



SCREW JACKS

Material

Steel, case-hardened, blackened.

Technical Notes

These self-aligning pads ensure that the

bearing surfaces between the clamp/work-piece, and the screw jack are correctly aligned.

See technical pages for the table of screw

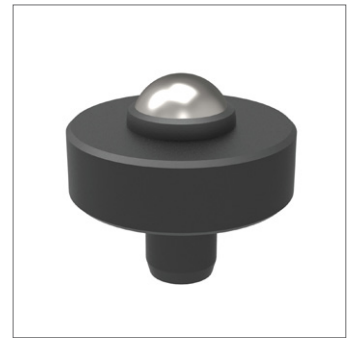
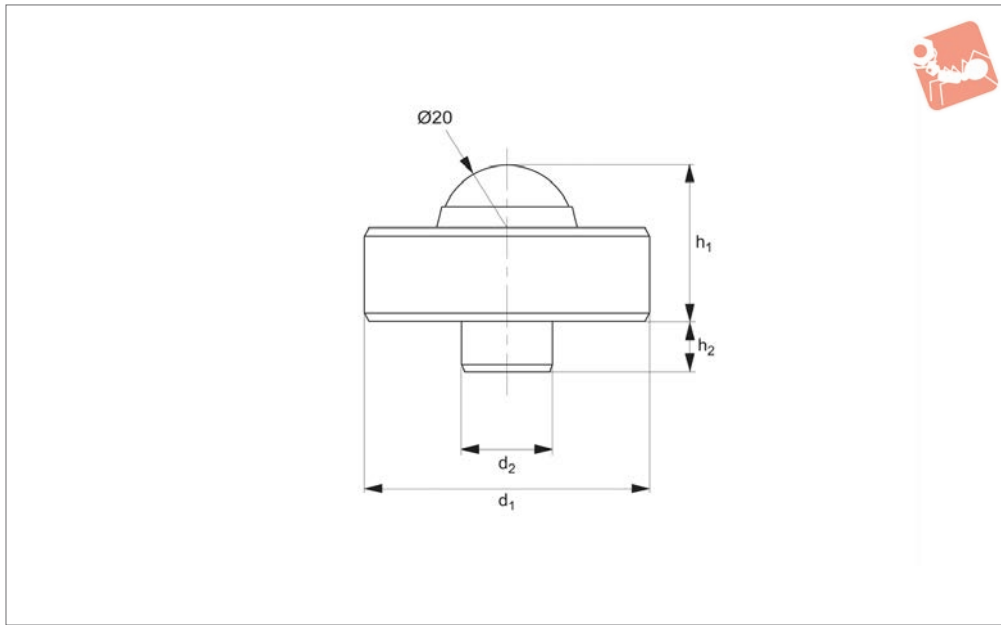
jack suitability.

Order No.	For screw jack	d ₁	d ₂	l ₁	l ₂	Weight g
15080.W0150	Sizes 52, 70, 100	50	12	32	8	399
15080.W0165	Sizes 140, 210	65	12	35	8	715



Locating Pad - Pivot Ball for screw jacks

Screw Jacks



15090

SCREW JACKS

Material

Pad: steel, tempered.
Ball: steel, hardened.

Technical Notes

Designed for use with screw jacks and for

supporting heavy duty cast iron and forged parts.

Tips

The pivot ball minimizes the friction on the support. The use of a point-like support

reduces the transmission of the turning force generated by the machine spindle. See technical pages for the table of screw jack suitability.

Order No.	d_1	d_2	h_1	h_2	Static load kN max.	Weight g
15090.W0030	45	12	25	8	30	240

