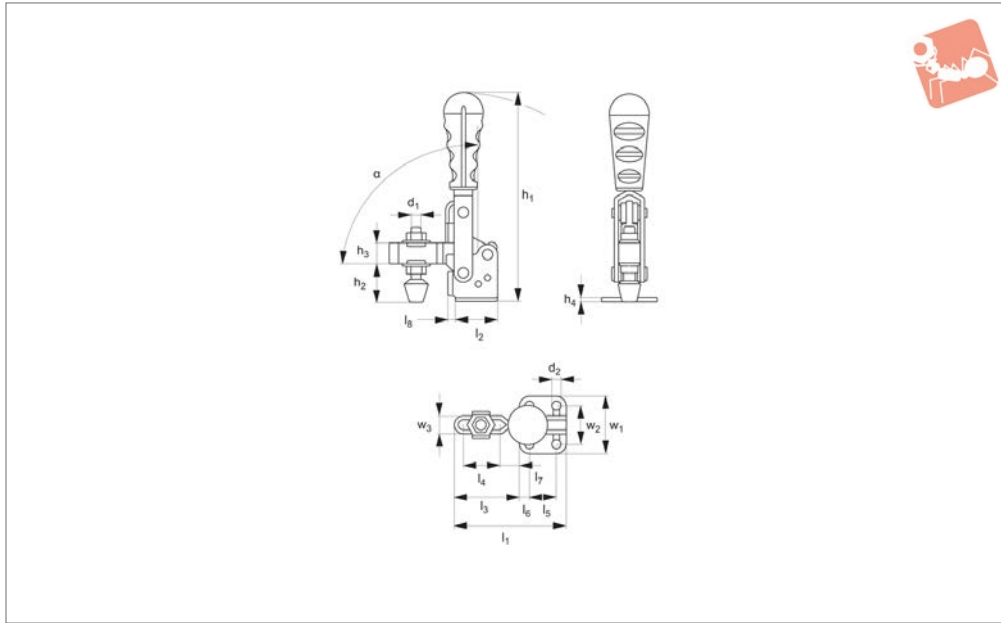




Toggle Clamps - Vertical Acting

economy - horizontal base - open arm

Economy Toggle Clamps



EC600

ECONOMY TOGGLE CLAMPS

Material

Body: steel, zinc plated.
Rivets: stainless steel.

Bushes: case hardened and greased.

Handle: plastic, red, oil resistant.

Supplied complete with clamping screw

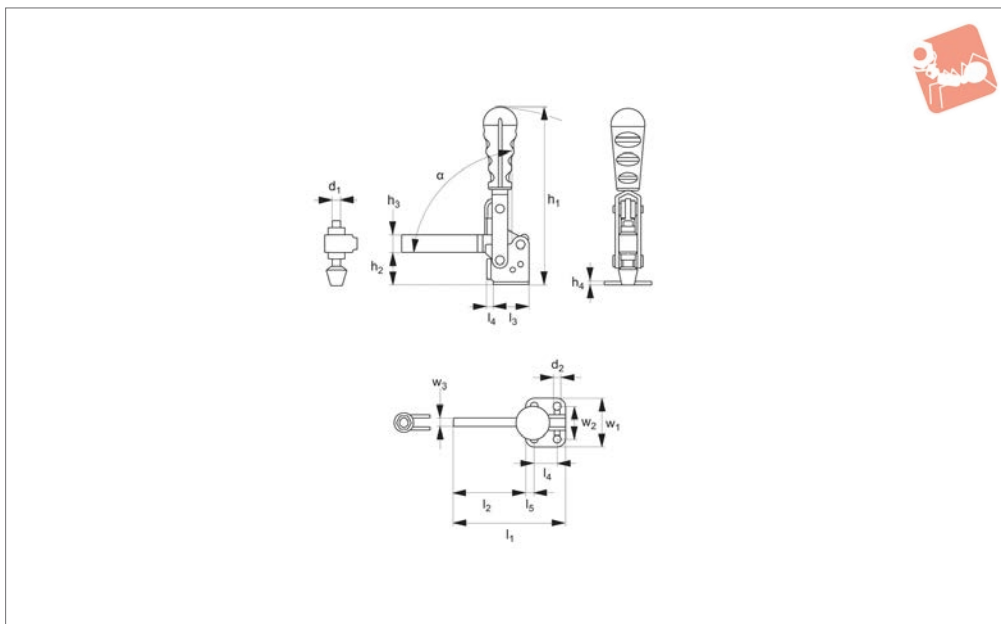
(with rubber pad).

Order No.	Size	Holding force kN	d ₁	d ₂	h ₁	h ₂	h ₃	h ₄	l ₁	l ₂	Weight g
EC600-1	1	0.5	M 5	4.4	77	19	8.0	2.0	50.4	26.0	50
EC600-2	2	1.5	M 6	5.1	111	23	11.0	3.0	69.9	27.0	190
EC600-3	3	2.5	M 8	7.1	175	32	17.5	3.2	90.0	35.0	380
EC600-4	4	3.4	M10	8.3	218	42	22.0	4.0	143.0	50.0	810
EC600-5	5	3.6	M12	8.7	224	51	22.5	3.0	176.0	50.8	1100

Order No.	l ₃	l ₄	l ₅	l ₆	l ₇	l ₈	w ₁	w ₂	w ₃	α
EC600-1	24.4	16.4	16.0	5.0	3.5	-	33.4	23.4	5.0	67,4°
EC600-2	42.9	21.5	12.7	7.0	15.0	-	37.9	26.9	6.0	93,0°
EC600-3	55.0	28.0	19.0	8.0	19.0	5.5	47.0	32.0	8.9	90,4°
EC600-4	92.8	60.5	32.0	9.0	23.0	10.0	64.0	45.0	10.6	90,0°
EC600-5	125.0	82.5	32.0	9.5	31.0	12.2	64.0	45.0	13.4	101°



EC604



Material

Body: steel, zinc plated.
Rivets: stainless steel.
Bushes: case hardened and greased.

Handle: plastic, red, oil resistant.
Supplied complete with clamping screw and rubber nose.

Technical Notes

symbol α /symbol* alternative angle through use of removable stop.

Order No.	Size	Holding force kN	d ₁	d ₂	h ₁	h ₂	h ₃	h ₄	Weight g
EC604-3	3	2.0	M 8	7.1	175	32.0	17.5	3	380
EC604-4	4	3.4	M10	8.3	218	42.0	22.0	4	600
EC604-5	5	4.5	M12	8.7	224	50.8	22.5	8	1100

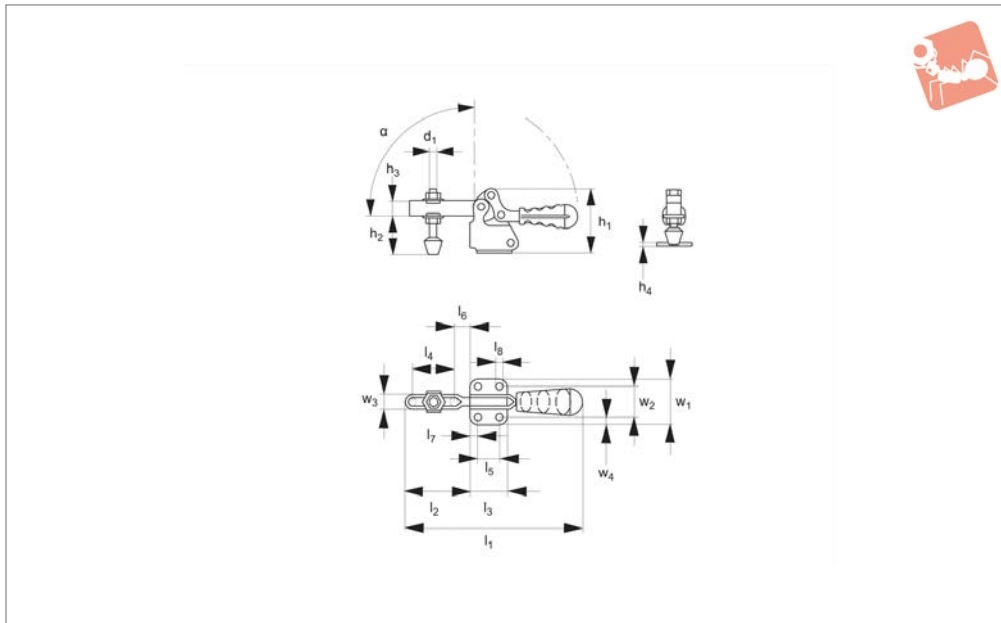
Order No.	l ₁	l ₂	l ₃	l ₄	l ₅	w ₁	w ₂	w ₃	α/α^*
EC604-3	123	88.4	35	19	8	47.0	32.0	6	90°
EC604-4	141	91.0	50	32	9	64.0	45.0	8	90°
EC604-5	176	125.0	51	32	10	64.2	45.2	10	103°/112°



Toggle Clamps - Horizontal Acting

economy - horizontal base - open arm

Economy Toggle Clamps



EC630

ECONOMY TOGGLE CLAMPS

Material

Body: steel, zinc plated.

Bushes: case hardened and greased.

Handle: plastic, red, oil resistant.

Supplied complete with clamping screw (with rubber pad).

Order No.	Size	Holding force kN	d ₁	d ₂	h ₁	h ₂	h ₃	h ₄	l ₁	Weight g
EC630-1	1	0.7	M 5	5.2	38.2	19	9.5	2.0	105	70
EC630-2	2	0.9	M 6	5.5	52.6	25	14.0	2.5	162	230
EC630-3	3	2.2	M 8	6.6	68.5	34	17.5	3.0	189	430
EC630-4	4	3.4	M10	8.7	90.0	45	23.8	4.0	269	910

Order No.	l ₂	l ₃	l ₄	l ₅	l ₆	l ₇	w ₁	w ₂	w ₃	w ₄	α
EC630-1	36.8	25	20.0	13.5	12.0	5.7	27	19	5.8	-	94°
EC630-2	61.4	38	36.5	26.0	19.0	6.0	40	28	6.2	3.0	96°
EC630-3	66.3	42	36.8	26.0	22.0	8.0	47	31	9.0	2.5	96°
EC630-4	103.0	59	64.8	41.2	28.5	9.0	59	43	11.4	1.8	95°