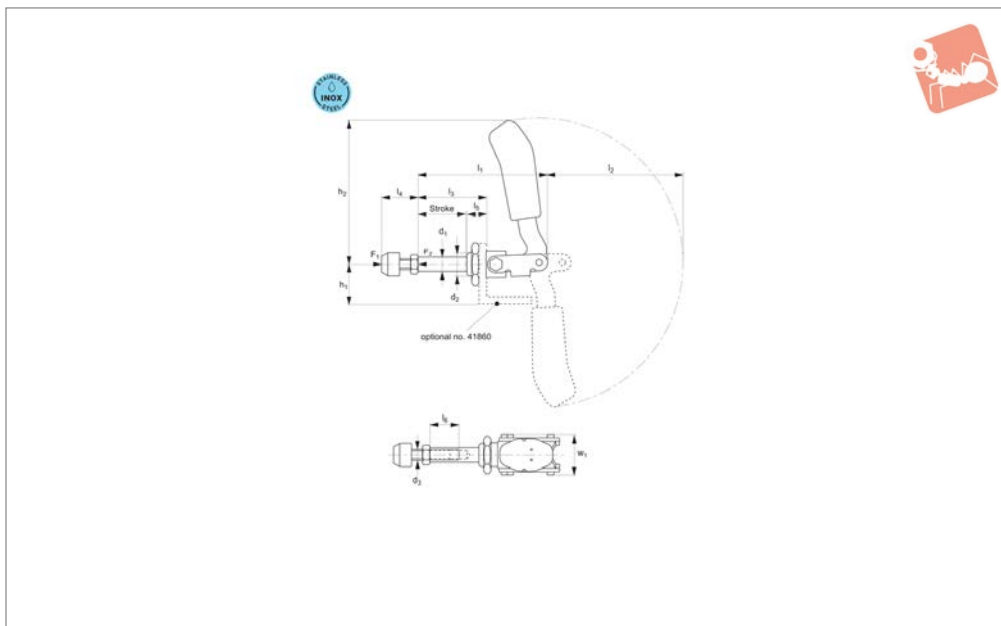




# Push-Pull Toggle Clamps

stainless steel - compact version

# Stainless Steel Toggle Clamps



## 41840.4

STAINLESS STEEL TOGGLE CLAMPS

### Material

Body: stainless steel (AISI 304, 1.4301), polished.  
Rivets: stainless steel running in hardened bushes. Pre-lubricated bearings.

Ergonomic soft feel oil-resistant handle with large grip area.  
Supplied complete with stainless clamping screw (with rubber pad).

### Technical Notes

Compact version with long rod guide.  
Temperature range -10°C to +80°C.

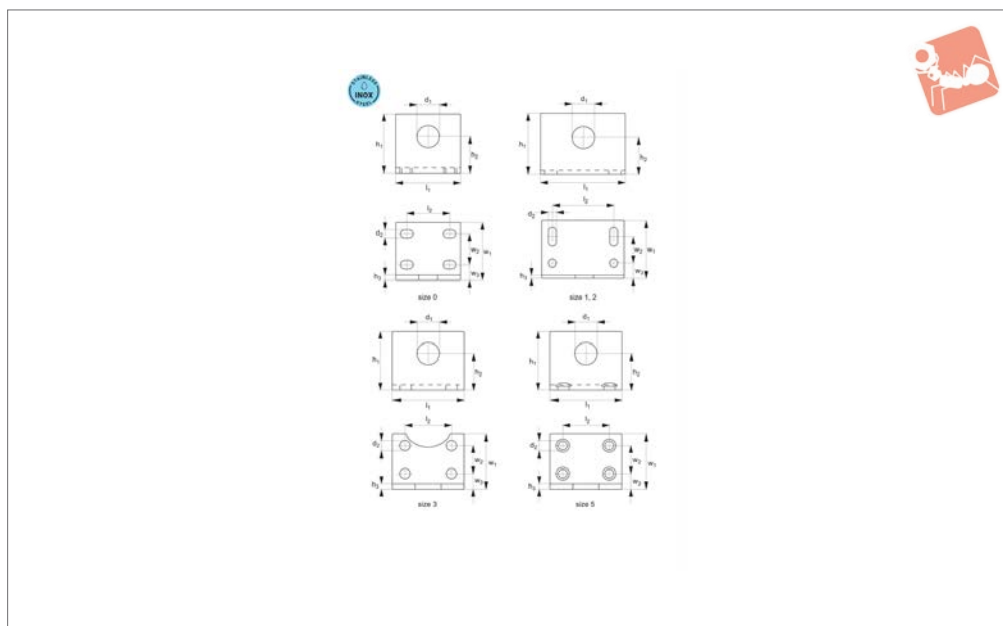
Order No.	Size	F <sub>1</sub> kN	F <sub>2</sub> kN	Clamping screw	Stroke s <sub>1</sub>	h <sub>1</sub>	h <sub>2</sub>	l <sub>1</sub>	l <sub>2</sub>	Weight g
41840.W0302	2	1.0	1.0	M 6x25	21.5	24	73.0	68.5	69	130
41840.W0303	3	2.5	2.5	M 8x35	40.0	33	120.5	108.0	115	320
41840.W0305	5	4.0	4.0	M12x50	67.0	37	149.0	175.0	139	1200

Order No.	l <sub>3</sub>	l <sub>4</sub> min.	l <sub>4</sub> max.	l <sub>5</sub>	l <sub>6</sub>	w <sub>1</sub>	d <sub>1</sub>	d <sub>2</sub>	d <sub>3</sub>
41840.W0302	36	17	27.0	13	15	30.5	10	M16x1,5	M 6
41840.W0303	57	22	37.5	16	25	33.0	12	M20x1,5	M 8
41840.W0305	92	30	50.0	24	45	49.0	16	M24x1,5	M12



### 41880.4



#### Material

Stainless steel (AISI 304, 1.4301), polished.

#### Technical Notes

The increased height of the centre line

allows a wide range of applications. Fastening by means of four screws.

For use with toggle clamp nos. 41840.

W0002- .W0005 and 41890.W0000- .

W0003.

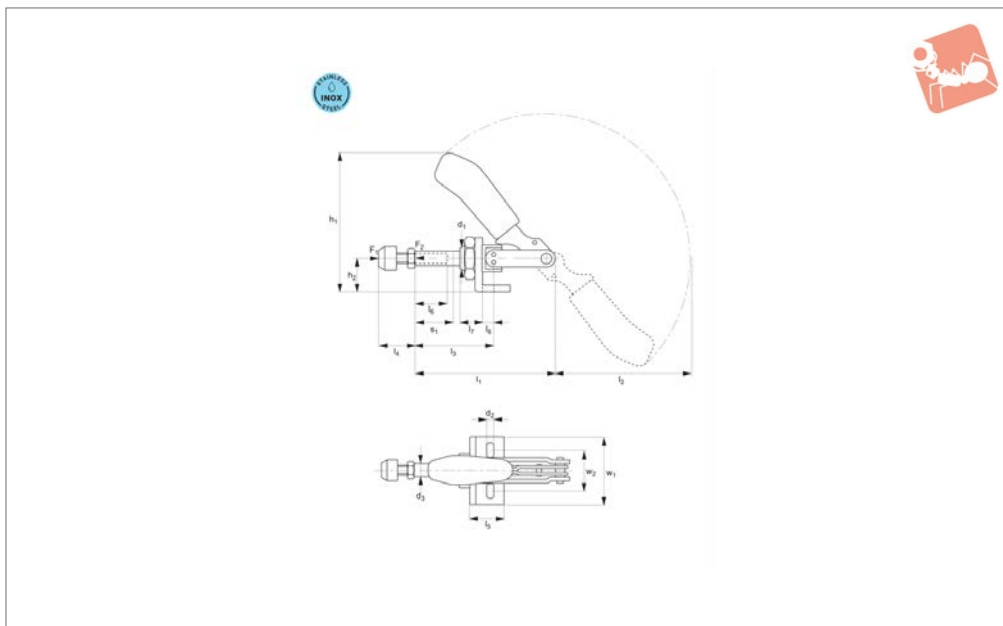
Order No.	Size	$h_1$	$h_2$	$h_3$	$l_1$	$l_2$	$w_1$	$w_2$	$w_3$	$d_1$	$d_2$	Weight g
41880.W0300	0	23	13	3	30	15,5-20,5	30	16	9.0	10.2	4.5	35
41880.W0302	2	40	24	5	60	40.0	40	18	11.0	16.2	6.7	170
41880.W0303	3	50	33	6	65	41.0	44	19	14.5	20.2	6.7	260
41880.W0305	5	60	37	8	70	45.0	60	32	17.0	24.0	9.0	480



# Push-Pull Toggle Clamps

stainless steel - angle bracket

# Stainless Steel Toggle Clamps



**41890**

STAINLESS STEEL TOGGLE CLAMPS

### Material

Body: stainless steel (AISI 304, 1.4301), polished.  
 Rivets: stainless steel running in hardened bushes. Pre-lubricated bearings.  
 Ergonomic soft feel, oil-resistant handle

with large grip area.  
 Supplied complete with stainless clamping screw (with rubber pad).

### Technical Notes

Long clamping stroke. Lever can be set to

any angle relative to base.  
 Suitable for use in the food industry.  
 Temperature range -10°C to +80°C.

Order No.	Size	F <sub>1</sub> kN	F <sub>2</sub> kN	Clamping screw	Stroke s <sub>1</sub>	h <sub>1</sub>	h <sub>2</sub>	l <sub>1</sub>	l <sub>2</sub>	Weight g
41890.W0000	0	0.8	0.8	M 4x20	16	49.3	12	66.5	54	65
41890.W0003	3	2.5	2.5	M 8x35	32	110.0	25	140.0	132	445

Order No.	l <sub>3</sub> min.	l <sub>3</sub> max.	l <sub>4</sub> min.	l <sub>4</sub> max.	l <sub>5</sub>	l <sub>6</sub>	l <sub>7</sub>	l <sub>8</sub>	w <sub>1</sub>	w <sub>2</sub>	d <sub>1</sub>	d <sub>2</sub>	d <sub>3</sub>
41890.W0000	17	33	12	20	16	13	10	6.5	25	16.0	M10x1,0	4.5	6.5
41890.W0003	37	69	22	35	30	30	22	13.0	60	29,5-42,5	M20x1,5	6.5	12.0