

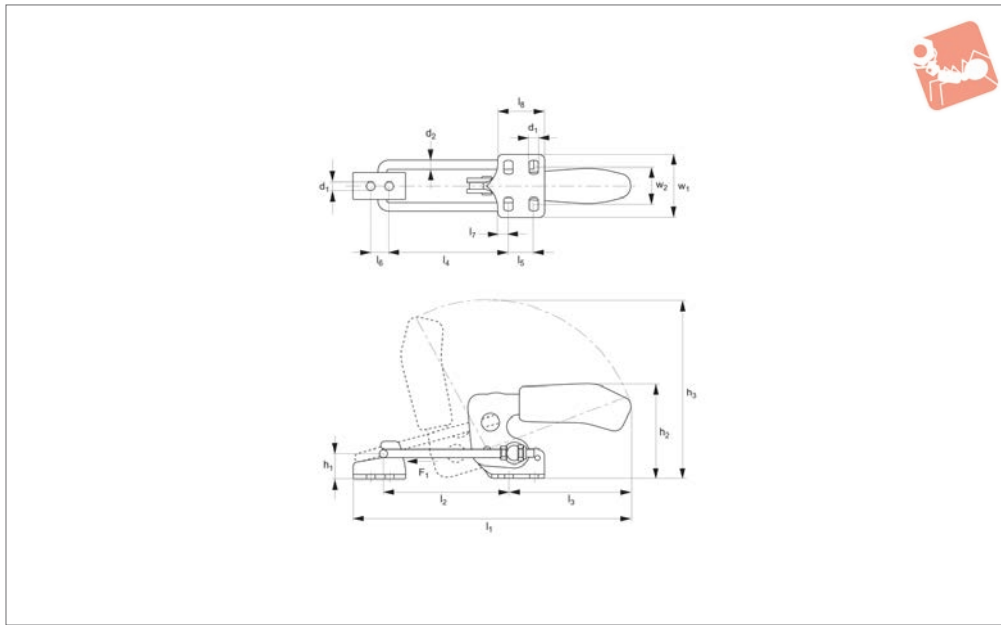


# Latch Type Toggle Clamps

horizontal acting



## 41801.1



### Material

Body: steel, zinc-plated. Stainless steel rivets running in hardened bushes. Pre-lubricated bearings (grease suitable for food industry use).  
Ergonomic, soft feel, oil-resistant handle

with large grip area.

Hook: steel, tempered.

**Complete with counter strike.**

### Technical Notes

Temperature range -10°C to +80°C.

### Tips

For stainless steel version see part no. 41811.

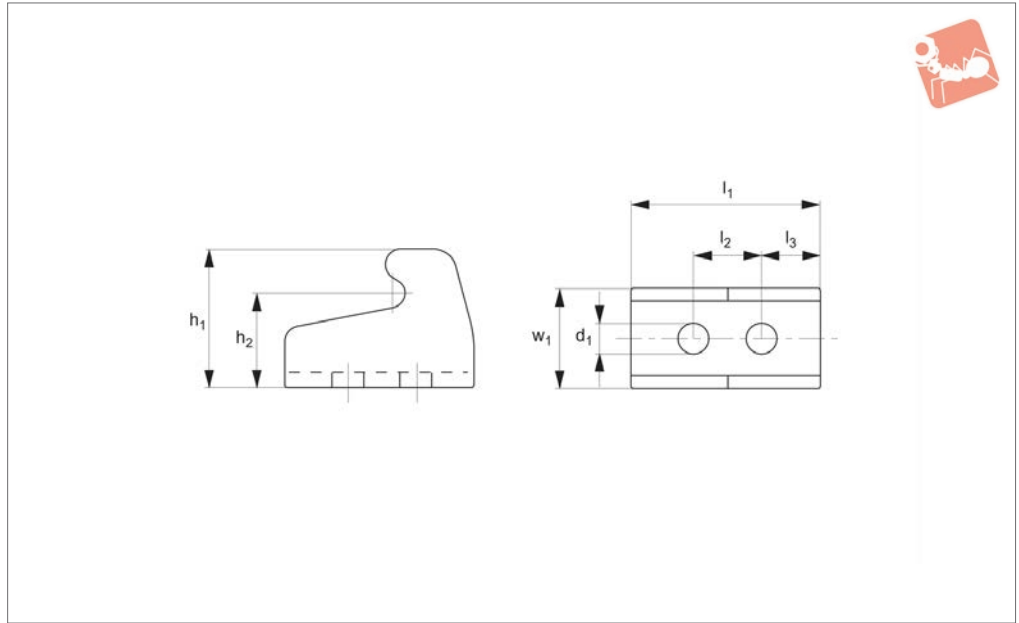
Order No.	Size	F <sub>1</sub> kN	h <sub>1</sub>	h <sub>2</sub>	l <sub>1</sub> min.	l <sub>1</sub> max.	l <sub>2</sub> min.	l <sub>2</sub> max.	h <sub>3</sub>	Weight g
41801.W0002	2	1.6	12	47.0	125	159	42.0	76	99	120
41801.W0003	3	3.2	19	70.0	169	216	53.5	101	136	330
41801.W0004	4	7.0	26	94.5	209	273	66.0	130	168	810

Order No.	l <sub>3</sub>	l <sub>4</sub> min.	l <sub>4</sub> max.	l <sub>5</sub>	l <sub>6</sub>	l <sub>7</sub>	l <sub>8</sub>	w <sub>1</sub>	w <sub>2</sub>	d <sub>1</sub>	d <sub>2</sub>
41801.W0002	69	38.0	72	13	11	6.4	26.0	38.0	19,5-23,5	5.2	4
41801.W0003	93	48.6	96	19	14	8.0	35.0	48.0	24,5-32,0	6.5	6
41801.W0004	111	59.0	123	32	19	9.5	53.5	64.5	35,0-46,0	8.5	8



**41811.1**



**Material**

Steel, zinc plated.

For stainless steel version see part no. 41781.W0303.

**Technical Notes**

See part no. 41781.W0013 for strike catch.

Order No.	Size	$h_1$	$h_2$	$l_1$	$l_2$	$l_3$	$w_1$	$d_1$	Weight g
41811.W0012	2	16	18	26	11	8	18	5.2	12
41811.W0013	3	44	28	39	14	12	23	6.5	19
41811.W0014	4	108	38	56	19	17	30	8.5	26

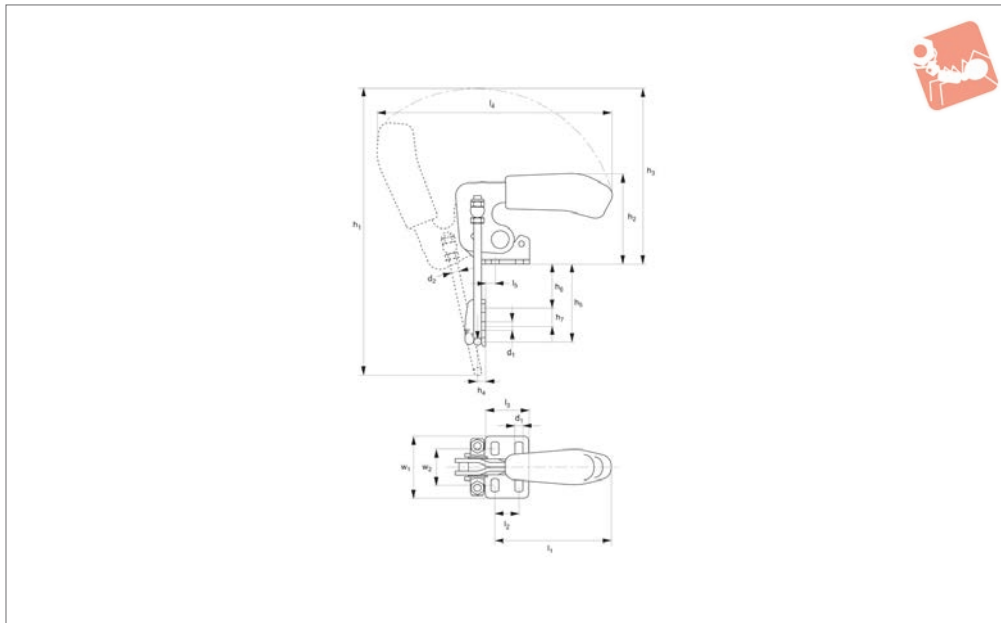


# Latch Type Toggle Clamps

vertical acting



## Steel Toggle Clamps



**41821.1**

STEEL TOGGLE CLAMPS

### Material

Body: steel, zinc plated.  
Rivets: stainless steel running in hardened bushes.  
Bearings are pre-lubricated.

Ergonomic, soft feel, oil-resistant handle with large grip area.  
Complete with counter strike.

### Technical Notes

Temperature range -10°C to +80°C.

### Tips

For stainless steel version see part 41821.

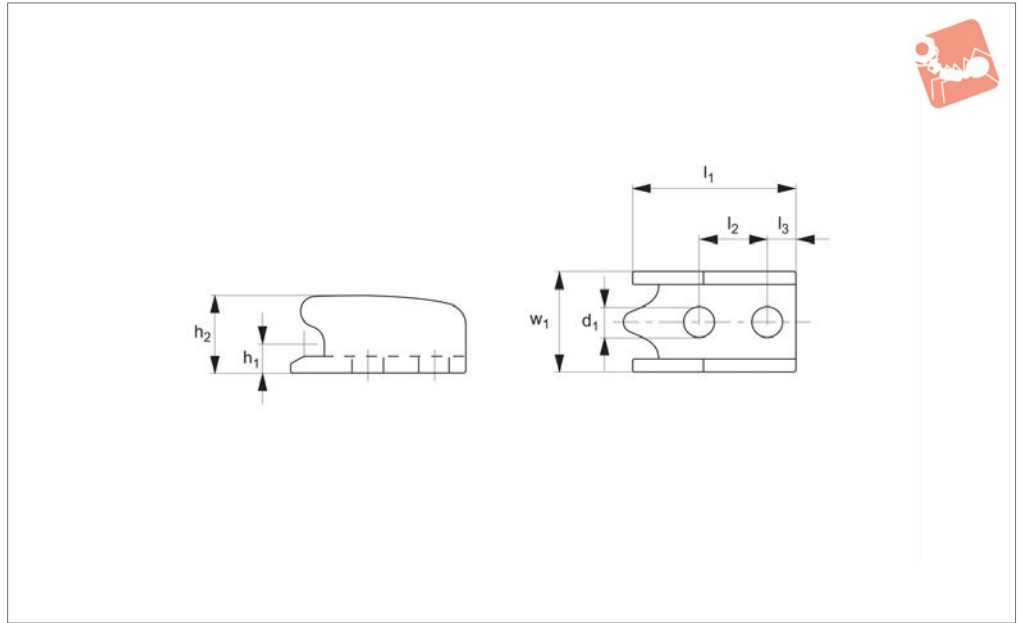
Order No.	Size	F <sub>1</sub> kN	h <sub>1</sub>	h <sub>2</sub>	l <sub>1</sub>	l <sub>2</sub>	h <sub>3</sub>	h <sub>4</sub>	h <sub>5</sub> min.	Weight g
41821.W0002	2	1.6	150	47.0	69	13	99	4.5	24	130
41821.W0003	3	3.2	172	70.0	93	19	137	6.0	33	340
41821.W0004	4	7.0	254	94.5	111	32	168	8.0	43	810

Order No.	h <sub>5</sub> max.	h <sub>6</sub> min.	h <sub>6</sub> max.	h <sub>7</sub>	l <sub>3</sub>	l <sub>4</sub>	l <sub>5</sub>	w <sub>1</sub>	w <sub>2</sub>	d <sub>1</sub>	d <sub>2</sub>
41821.W0002	47	5.0	28	11	26.0	158	6.8	38.0	19,5-23,5	5.2	4
41821.W0003	63	6.5	36	14	35.0	190	8.0	48.0	24,5-32,5	6.5	6
41821.W0004	81	9.0	47	19	53.5	239	9.5	64.5	35,0-46,0	8.5	8



**41831.1**



**Material**

Steel, zinc plated.

**Technical Notes**

For use with toggle clamp no. 41821.W0002 - .W0004.

Order No.	Size	$h_1$	$h_2$	$l_1$	$l_2$	$l_3$	$w_1$	$d_1$	Weight g
41831.W0012	2	5	12	26	11	5	18	5.2	14
41831.W0013	3	6	16	36	14	7	23	6.5	30
41831.W0014	4	8	22	48	19	9	30	8.5	66